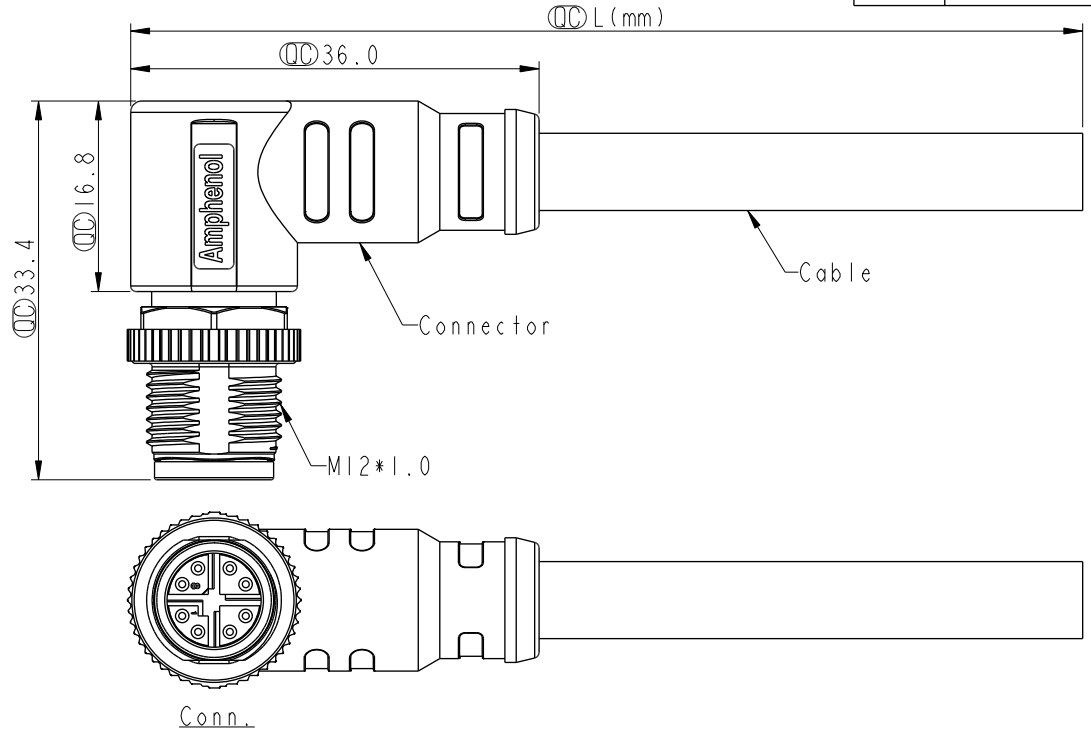


THIS DOCUMENT IS SUBJECT TO CHANGE WITHOUT NOTICE. IT IS CONFIDENTIAL AND A PROPERTY OF Amphenol LTW. DISCLOSURE TO THIRD PARTY HAS TO BE AUTHORIZED BY Amphenol LTW.

REV.	ECN NO.	DATE	SIGN	DESCRIPTION
C	C210219	2021/03/11	Vicky	$\triangle C$ X2
D	C220546	2022/03/31	Arvin Chan	$\triangle D$ X1
E	C230011	2023/01/05	Vicky	$\triangle E$ X1



$\triangle B$ MSXS-XXBMMM-SR7XXX
 XX: No. Of Pin
 XX: 01~99Meters
 01: 01Meter
 02: 02Meters
 ...
 99: 99Meters

- $\triangle C$ Note:
 * RoHS Compliant
 * ϕ Important dimensions
 $\triangle E$ * Waterproof rate: IP67, mated
 * Connector
 Housing: Thermoplastic, Black
 Pin: Copper alloy, Gold plated
 Nut: Metal
 Shield: Metal
 Outer Mold: Thermoplastic, Black
 $\triangle D$ * Cable: CAT-6A, 26AWG*4P+AL/MY+B,
 TPU Jacket, OD 6.8mm, Green
 * Cable length tolerance: 1M: +50/-0 mm
 1M < L \leq 3M: +100/-0 mm
 3M < L \leq 5M: +150/-0 mm
 5M < L \leq 10M: \pm 100 mm
 10M < L \leq 20M: \pm 200 mm
 20M < L \leq 30M: \pm 300 mm
 30M < L \leq 99M: \pm 500 mm

Shield	Braid	編織	
8	Blue	藍	Twist
7	White/Blue	白/藍	
6	Brown	棕	Twist
5	White/Brown	白/棕	
4	Green	綠	Twist
3	White/Green	白/綠	
2	Orange	橘	Twist
1	White/Orange	白/橘	

8P

Pin Assignment Front View	Conn.	Wire Color	Pin Out

UNIT:mm		TITLE	N SEN, M12 X -SHLD, SCREW CABLE W/O SR, M, M, MOLDING	
TOLERANCE	$\pm 0.5mm$	SCALE		3:2
		SIZE		A4
		REV.	E	
		WC-REV.		
		ϕ	Inspection item	

<h1>Amphenol LTW</h1> <h2>安費諾亮泰企業股份有限公司</h2>		ITEM NO	MSXS-XXBMMM-SR7XXX	DRAWN BY	Fu	DATE	2019-10-26
		DWG NO	MSXS-XXBMMM-SR7XXX	CHECKED BY	Feng li	DATE	2019-10-26
CUSTOMER	ALTW	APPROVED BY	Jerry	DATE	2019-10-26		