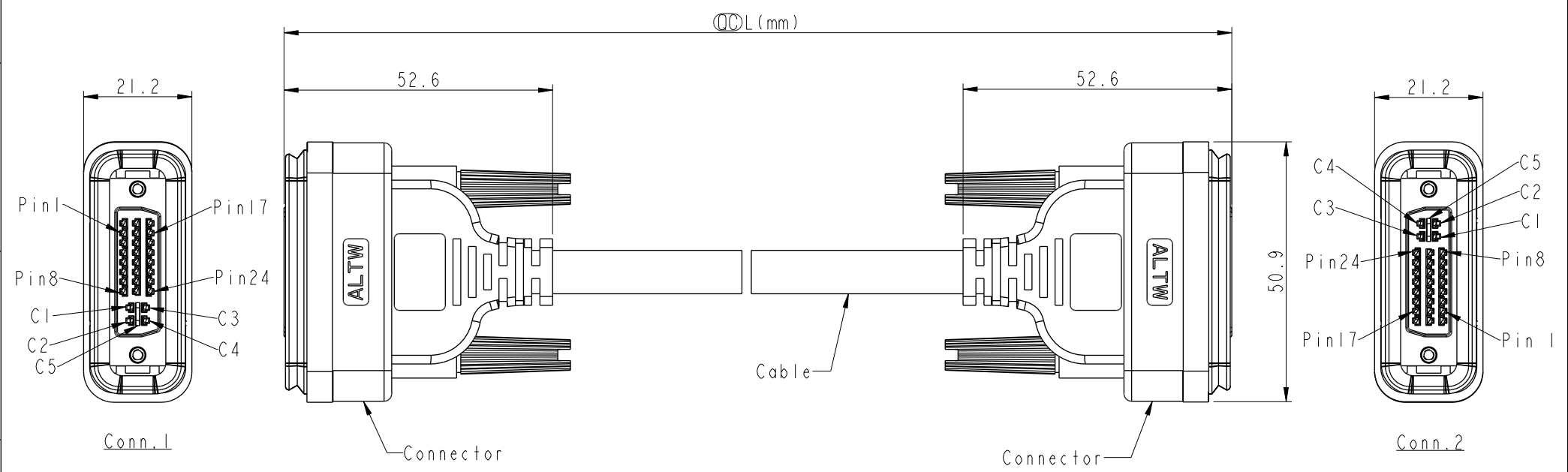


THIS DOCUMENT IS SUBJECT TO CHANGE WITHOUT NOTICE. IT IS CONFIDENTIAL AND A PROPERTY OF Amphenol LTW. DISCLOSURE TO THIRD PARTY HAS TO BE AUTHORIZED BY Amphenol LTW.

REV.	ECN NO.	DATE	SIGN	DESCRIPTION

DID29ML-DIDML-SAXXX  
 XXX: 01-05Meters  
 001: 01Meter  
 002: 02Meters  
 ...  
 005: 05Meters



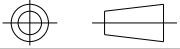
UNIT:mm		
TOLERANCE	±0.5 mm	

TITLE ACC, DVI, DB-ENDED MM, 2929, SCREW		
SCALE 1:1	SIZE A4	SHEET 1 OF 2
REV. A	WC-REV. A.5	: Inspection item

**Amphenol LTW**  
 安費諾亮泰企業股份有限公司

ITEM NO	DRAWN BY Ruru	DATE 2024-06-27
DWG NO DID29ML-DIDML-SAXXX	CHECKED BY Rita	DATE 2024-06-27
CUSTOMER ALTW	APPROVED BY Fred	DATE 2024-06-27

THIS DOCUMENT IS SUBJECT TO CHANGE WITHOUT NOTICE. IT IS CONFIDENTIAL AND A PROPERTY OF AMPHENOL LTW. DISCLOSURE TO THIRD PARTY HAS TO BE AUTHORIZED BY AMPHENOL LTW.

		2	3	4	5	6	7	8
F	C5	Pink	4	Coax Spiral				
	C4	White	4					
	C3	Blue	1					
	C2	Green	1					
	C1	Red	1					
E	24	White	2					
	23	Yellow						
	22	Drain	2					
	21	Orange						
	20	White						
	19	Drain						
D	18	Black	2					
	17	White	4					
	16	Green						
	15	Orange		3				
	14	Yellow	2					
	13	Blue						
	12	White						
C	11	Drain	2					
	10	Green						
	9	White	4					
	8	Red						
	7	Brown						
	6	Black						
B	5	Red	2	Type 4	IC			
	4	White		Type 3	IP			
	3	Drain	2	Type 2	IP+D+AL+MY			
	2	Brown						
	1	White						
	Connl&2		Wire Color	Wire Type	Type 1	Coax		
			Pin Out		Wire Type			
A	UNIT:mm		TITLE			ITEM NO	DRAWN BY	DATE
	TOLERANCE		ACC, DVI, DB-ENDED MM, 2929, SCREW			DWG NO	CHECKED BY	DATE
	±0.5 mm		SCALE	SIZE	SHEET	OF	APPROVED BY	DATE
			1:1	A4	2	2	Fred	2024-06-27
		REV.	WC-REV.	◎◎: Inspection item		CUSTOMER	DATE	
		A	A.5			ALTW	2024-06-27	
		<b>Amphenol LTW</b> 安費諾亮泰企業股份有限公司						
								8 W10814-03-0001A2

Note:

- \* ◎◎ Important Dimension
- \* Connector  
Waterproof rate: IP67, Mated  
Housing: Thermoplastic, Black  
Pin: Copper Alloy, Gold Plated  
Gasket: Rubber, Black  
Screw: Steel, Nickel Plated  
Outer Mold: Thermoplastic, Black
- \* Cable: UL20276, 3Coax(S)+(IP\*28#+D+Al+Mylar)  
7C+(IP+6C)\*28#+AL+B, OD=10mm, PVC Jacket, Black
- ◎◎ \* DVI CONN.的金屬殼與銅箔及Braid需做導通測試且能導通
- \* Cable length tolerance: 1M: +60/-0 mm  
2M ≤ L ≤ 3M: +120/-0 mm  
4M ≤ L ≤ 5M: +160/-0 mm