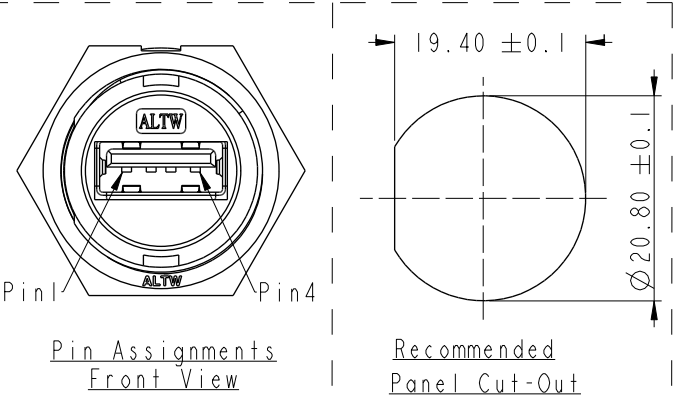
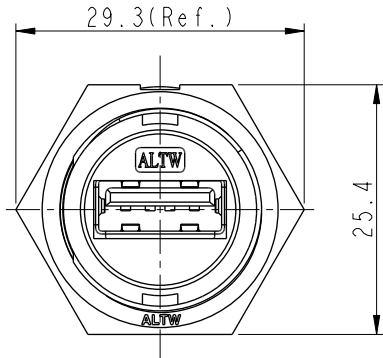
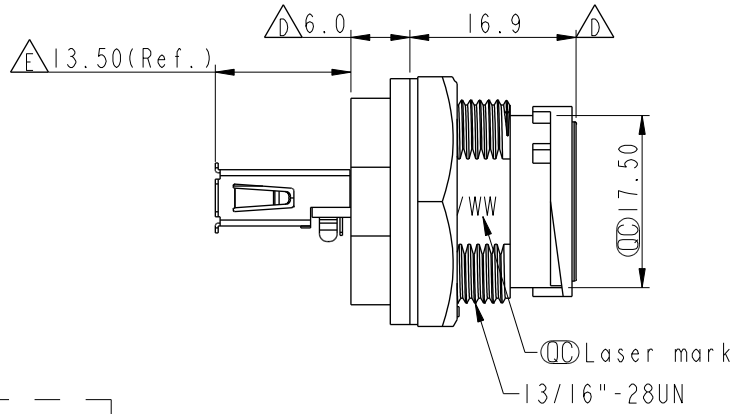
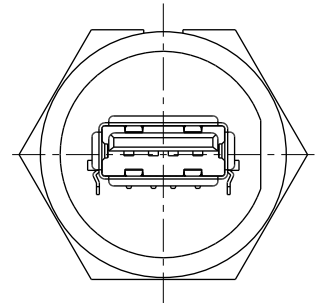
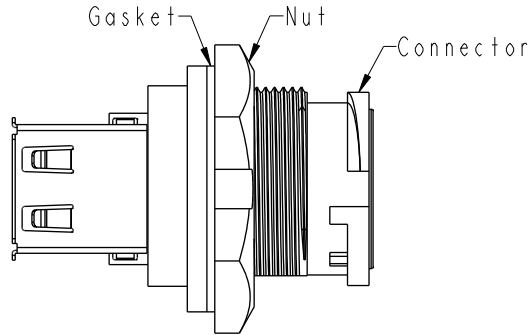


THIS DOCUMENT IS SUBJECT TO CHANGE WITHOUT NOTICE. IT IS CONFIDENTIAL AND A PROPERTY OF Amphenol LTW. DISCLOSURE TO THIRD PARTY HAS TO BE AUTHORIZED BY Amphenol LTW.

REV.	ECN NO.	DATE	SIGN	DESCRIPTION
D	LEN1670227	2016/07/15	Vicky	Update Screw Nut Material & Dime
E	LEN1741168	2017/03/15	Lingpeng	Change The Jack
F	C240125	2024/01/26	Vicky	△ F X2

YYYY/WW  
 ↑  
 Years      Weeks



- △ Note:
- \* ∅ Important dimension.
  - \* Waterproof rate: IP67, unmated
  - \* Connector
    - Housing: Thermoplastic, Black
    - USB: USB-A Female 90° PCB, Gold Plated
    - Wafer: 5Pin Wafer PH=2.0
  - \* Nut: Thermoplastic, Black
  - \* Gasket: Rubber, Black
  - \* Use with waterproof cap or dust cap
    - For Panel Thickness Max: 2.8mm
  - \* Use without waterproof cap or dust cap
    - For Panel Thickness Max: 4.0mm
  - \* Gasket and nut are packed separately in pe bag

UNIT:mm	SCALE REV.	
TOLERANCE	.X ±0.25	
	.XX ±0.1	
	.XXX ±0.05	
ANGLES	±1°	

TITLE USB, A TYPE, 2.0, FRONT FASTENED M, F, JACK, LOCK			
SCALE 13:10	SIZE A4	SHEET 1 OF 1	
REV. F	WC-REV. A.4	∅: Inspection item	

**Amphenol LTW**  
 安費諾亮泰企業股份有限公司

ITEM NO UA-20PMFJ-NC7001	DRAWN BY Vicky	DATE 2024-01-26
DWG NO UA-20PMFJ-NC7001	CHECKED BY Rita	DATE 2024-01-26
CUSTOMER ALTW	APPROVED BY Fred	DATE 2024-01-26