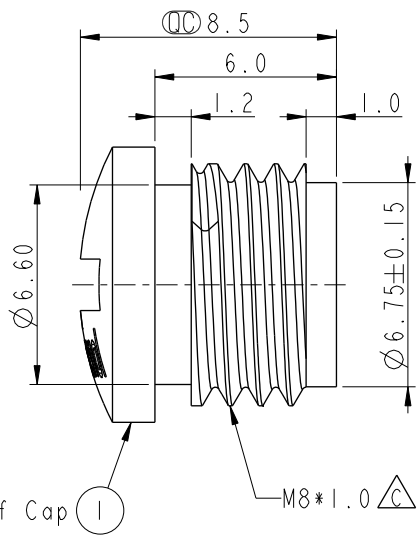
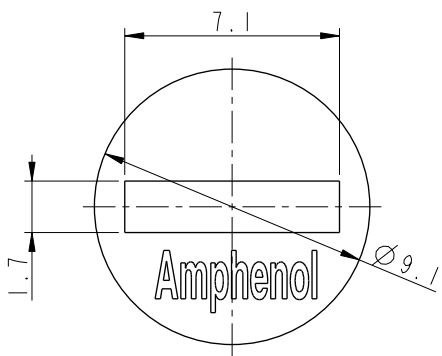
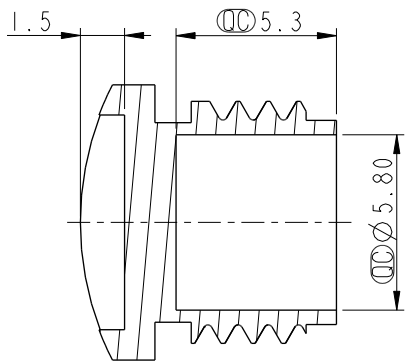


THIS DOCUMENT IS SUBJECT TO CHANGE WITHOUT NOTICE. IT IS CONFIDENTIAL AND A PROPERTY OF Amphenol LTW. DISCLOSURE TO THIRD PARTY HAS TO BE AUTHORIZED BY Amphenol LTW.

REV.	ECN NO.	DATE	SIGN	DESCRIPTION
A	Initial Release	2013/09/12	Vicky	Old Item No. CAP-WBBMFSAI
B	LE31630016	2016/03/02	Vicky	Update Note
C	C240785	2024/07/11	Ruru	$\triangle C$ X3



Waterproof Cap  $\textcircled{1}$

- $\triangle B$  Note:
- \*  $\textcircled{C}$  Important Dimension
  - \* Waterproof Rate: IP67
  - \*  $\triangle C$  Material: Thermoplastic, Black

UNIT: mm		
TOLERANCE		
.X	±0.25	
.XX	±0.1	
.XXX	±0.05	
ANGLES	±1°	

TITLE ACC, SEN, WP CAP SCREW, NONE			
SCALE 4:1	SIZE A4	SHEET 1 OF 1	
REV. C	WC-REV. A.1	$\textcircled{C}$ : Inspection item	

**Amphenol LTW**  
安費諾亮泰企業股份有限公司

ITEM NO. CAP-WBBFSMAI	DRAWN BY Ruru	DATE 2024-07-11
DWG NO. CAP-WBBFSMAI	CHECKED BY Rita	DATE 2024-07-11
CUSTOMER ALTW	APPROVED BY Fred	DATE 2024-07-11