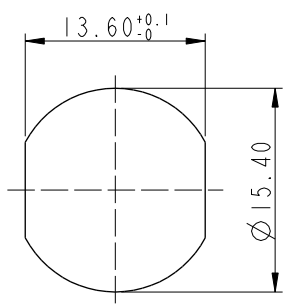


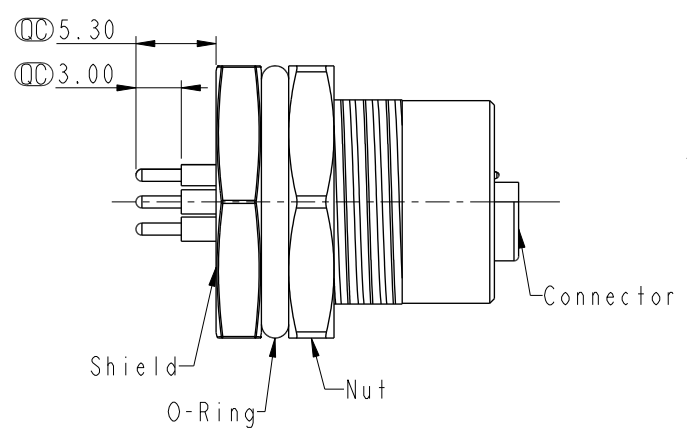
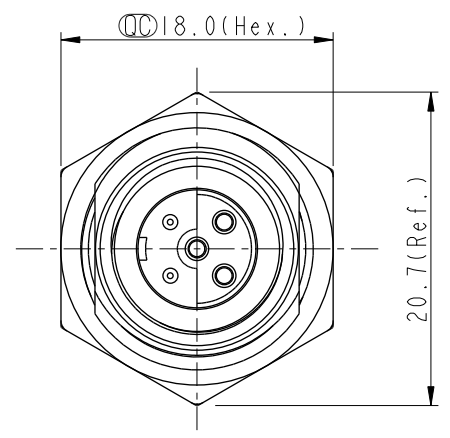
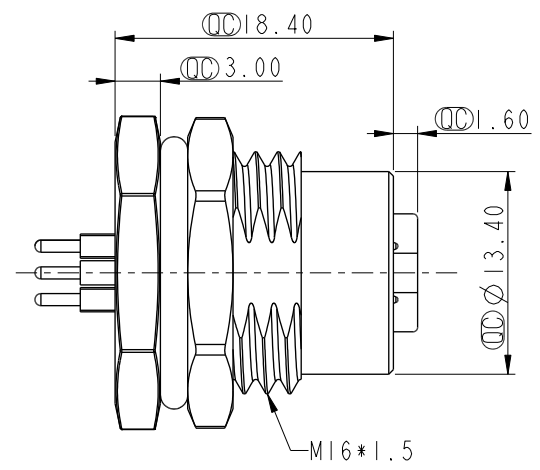
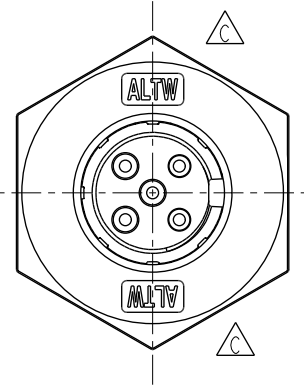
THIS DOCUMENT IS SUBJECT TO CHANGE WITHOUT NOTICE. IT IS CONFIDENTIAL AND A PROPERTY OF Amphenol LTW. DISCLOSURE TO THIRD PARTY HAS TO BE AUTHORIZED BY Amphenol LTW.

REV.	ECN NO.	DATE	SIGN	DESCRIPTION
D	C210309	2021/03/12	Ruru	△D X4
E	C221890	2022/12/26	Vicky	△E XI
F	C231037	2023/08/07	Vicky	△F XI

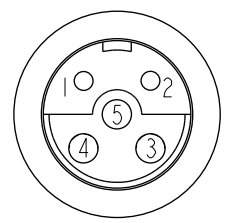


Recommended Panel Cut-Out

△D  
12-XXPFIP-SF8003  
XX: No. Of Pin

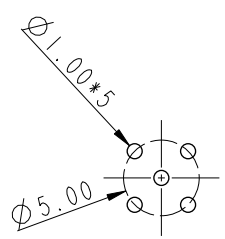


- △ Note:
- \* RoHS Compliant
  - \* ∅ Important dimension
  - △E \* Waterproof rate: IP68, unmated 1m/24h  
IP69K, mated
  - \* Connector
  - Housing: Thermoplastic, Black
  - Pin: Copper alloy, Gold plated
  - O-Ring: Rubber, Green
  - \* Shield: Metal
  - \* Nut: Metal
  - \* O-Ring: Rubber, Black
  - \* For panel thickness max: 4.5mm
  - \* Nut is packed separately in pe bag



5P

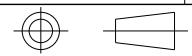
Pin Assignment Front View



5P

PCB Layout

UNIT: mm



TITLE O SEN, M12 A (1) RECEPTACLE, F, 1, PCB S △D			
SCALE 2:1	SIZE A4	SHEET 1 OF 1	
REV. F	WC-REV. A.3	∅: Inspection item	

**Amphenol LTW**  
安費諾亮泰企業股份有限公司

ITEM NO. 12-XXPFIP-SF8003	DWG NO. CUSTOMER	DRAWN BY Cynthia	DATE 2019-05-30
ALTW		CHECKED BY Wen	DATE 2019-05-30
		APPROVED BY Neo	DATE 2019-05-30