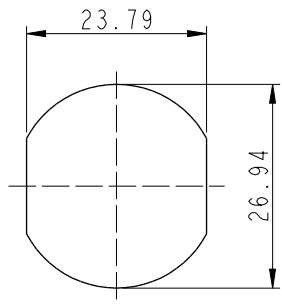


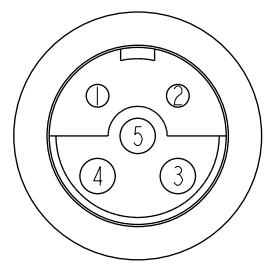
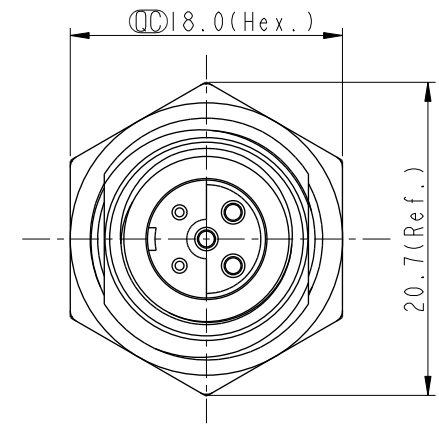
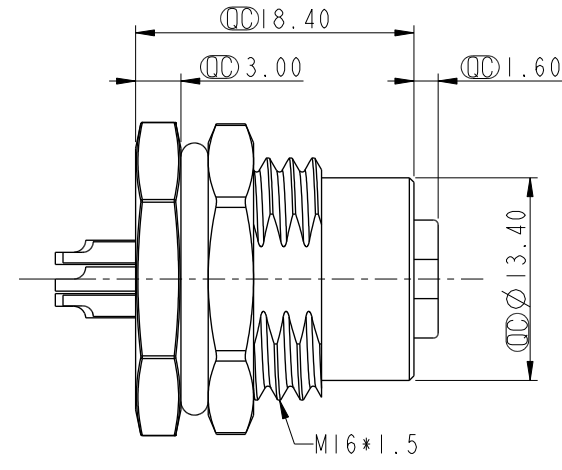
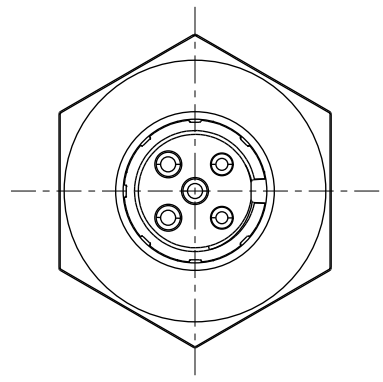
THIS DOCUMENT IS SUBJECT TO CHANGE WITHOUT NOTICE. IT IS CONFIDENTIAL AND A PROPERTY OF AMPHENOL LTW. DISCLOSURE TO THIRD PARTY HAS TO BE AUTHORIZED BY AMPHENOL LTW.

REV.	ECN NO.	DATE	SIGN	DESCRIPTION
C	C210309	2021/03/15	Ruru	$\triangle C$ X4
D	C221890	2022/12/26	Vicky	$\triangle D$ XI
E	C231037	2023/08/07	Vicky	$\triangle E$ XI

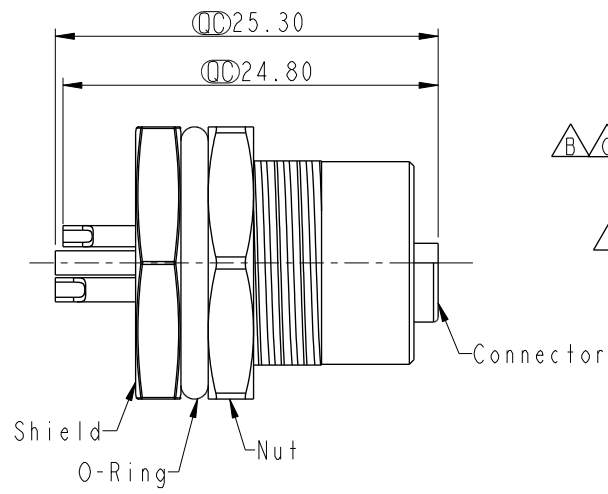


Recommended Panel Cut-Out

$\triangle C$  12-XXPFIS-SF8004  
XX: No. Of Pin



5P  
Pin Assignment Front View



- $\triangle B$   $\triangle C$  Note:
- \* RoHS Compliant
  - \*  $\text{CC}$  Important dimension
  - \*  $\triangle D$  Waterproof rate: IP68, unmated 1m/24h  
 $\triangle E$  IP69K, mated
  - \* Connector
  - \* Housing: Thermoplastic, Black
  - \* Pin: Copper alloy, Gold plated
  - \* O-Ring: Rubber, Green
  - \* Shield: Metal
  - \* Nut: Metal
  - \* O-Ring: Rubber, Black
  - \* For panel thickness max: 4.5mm
  - \* Nut is packed separately in pe bag

UNIT: mm

TOLERANCE	
.X	$\pm 0.25$
.XX	$\pm 0.1$
.XXX	$\pm 0.05$
ANGLES	$\pm 1^\circ$

TITLE O SEN, M12 A (1) RECEPTACLE, F, I, SOLDER $\triangle C$			
SCALE 2:1	SIZE A4	SHEET 1 OF 1	
REV. E	WC-REV. A.3	$\text{CC}$ : Inspection item	

**Amphenol LTW**  
安費諾亮泰企業股份有限公司

ITEM NO.	12-XXPFIS-SF8004
DWG NO.	12-XXPFIS-SF8004
CUSTOMER	ALTW

DRAWN BY	SamChang
CHECKED BY	Jeffrey
APPROVED BY	Lion

DATE	2012-08-07
DATE	2012-08-28
DATE	2012-08-28