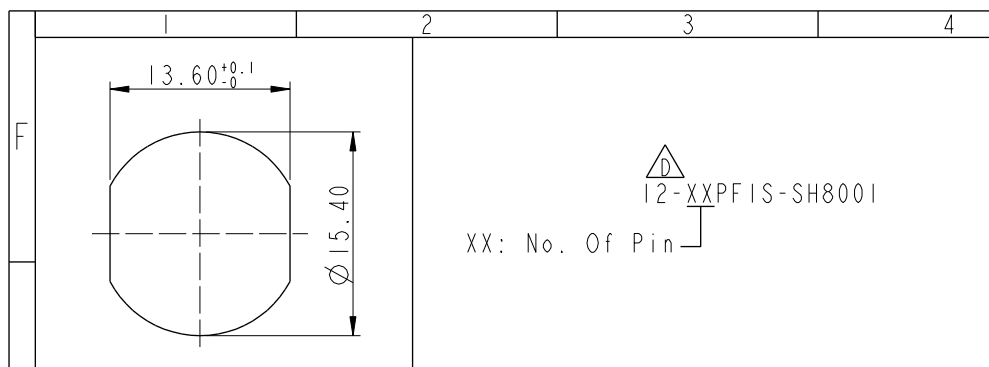
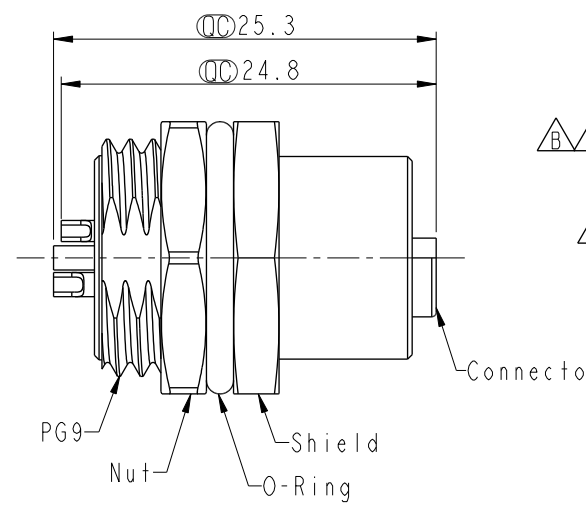
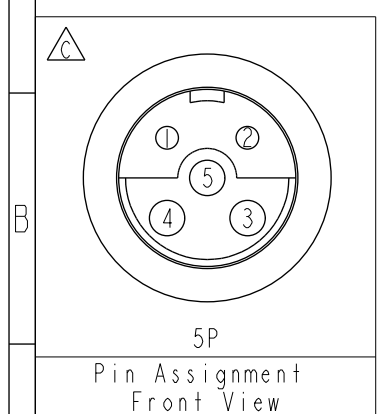
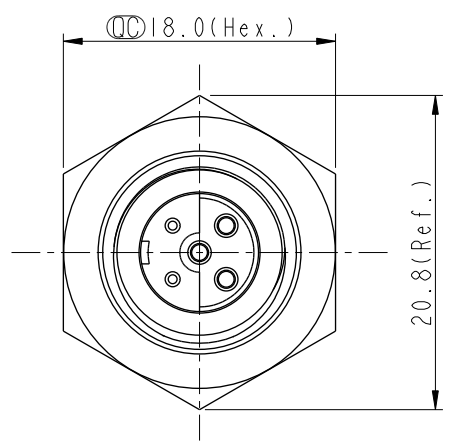
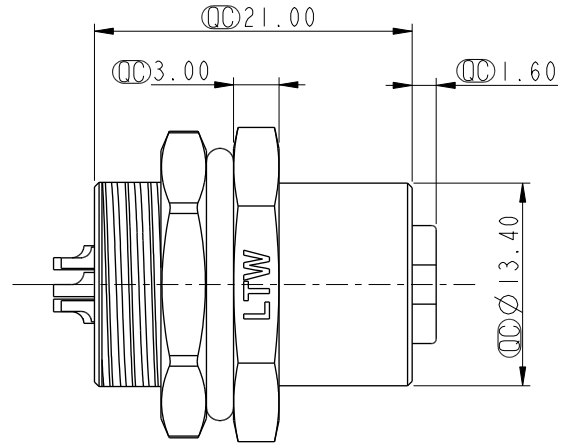
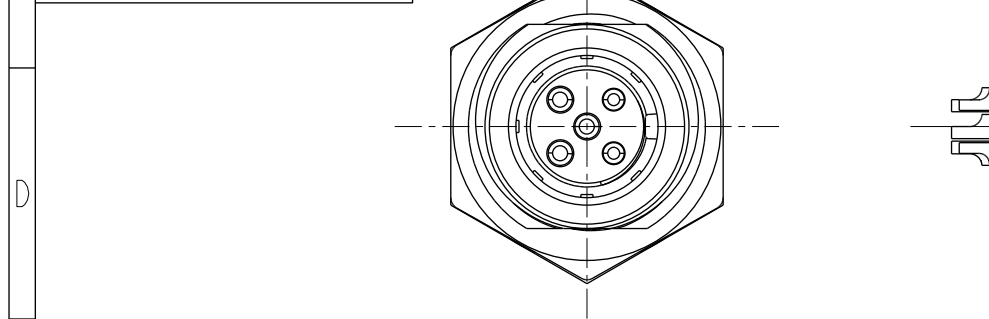


THIS DOCUMENT IS SUBJECT TO CHANGE WITHOUT NOTICE. IT IS CONFIDENTIAL AND A PROPERTY OF Amphenol LTW. DISCLOSURE TO THIRD PARTY HAS TO BE AUTHORIZED BY Amphenol LTW.

REV.	ECN NO.	DATE	SIGN	DESCRIPTION
D	C210309	2021/03/15	Ruru	$\triangle D$ X4
E	C221890	2022/12/26	Vicky	$\triangle E$ XI
F	C231037	2023/08/07	Vicky	$\triangle F$ XI



Recommended Panel Cut-Out



- $\triangle B, \triangle D$ Note:
- * RoHS Compliant
 - * CC Important dimension
 - * $\triangle E$ Waterproof rate: IP68, unmated 1m/24h
 $\triangle F$ IP69K, mated
 - * Connector
 - Housing: Thermoplastic, Black
 - Pin: Copper alloy, Gold plated
 - O-Ring: Rubber, Green
 - * Shield: Metal
 - * Nut: Metal
 - * O-Ring: Rubber, Black
 - * For panel thickness max: 4.5mm
 - * Nut is packed separately in pe bag

UNIT: mm	CC	CC	TITLE O SEN, M12 A (1) RECEPTACLE, F, I, SOLDER $\triangle D$		
TOLERANCE .X ±0.25 .XX ±0.1 .XXX ±0.05 ANGLES ±1°	SCALE 2:1	SIZE A4	SHEET 1	OF 1	REV. F
	WC-REV. A.3	CC : Inspection item			

Amphenol LTW
安費諾亮泰企業股份有限公司

ITEM NO.	DRAWN BY SamChang	DATE 2012-08-08
DWG NO. $\triangle D$ 12-XXPFIS-SH8001	CHECKED BY Jeffrey	DATE 2012-08-28
CUSTOMER ALTW	APPROVED BY Maslow	DATE 2012-08-28