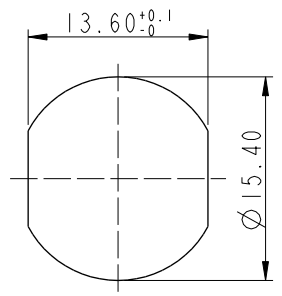


THIS DOCUMENT IS SUBJECT TO CHANGE WITHOUT NOTICE. IT IS CONFIDENTIAL AND A PROPERTY OF Amphenol LTW. DISCLOSURE TO THIRD PARTY HAS TO BE AUTHORIZED BY Amphenol LTW.

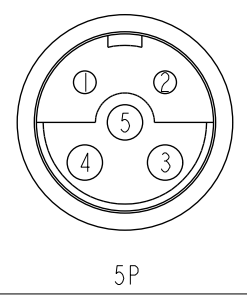
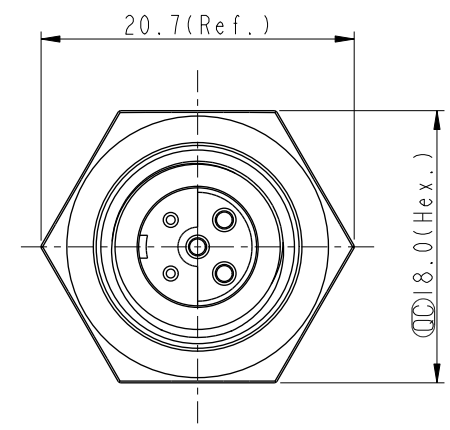
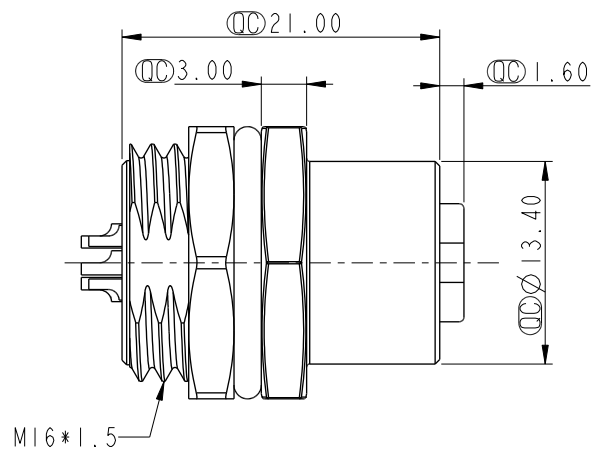
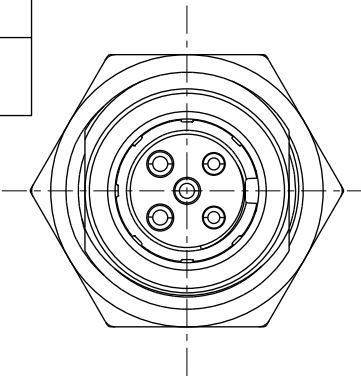
REV.	ECN NO.	DATE	SIGN	DESCRIPTION
C	C210309	2021/03/15	Ruru	X4
D	C221890	2022/12/26	Vicky	XI
E	C231037	2023/08/07	Vicky	XI



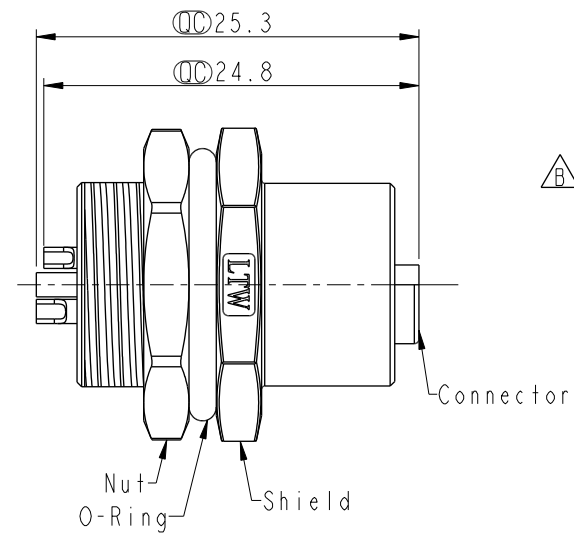
Recommended Panel Cut-Out

12-XXPFIS-SH8003

XX: No. Of Pin



5P  
Pin Assignment Front View



- Note:
- \* RoHS Compliant
  - \* Important dimension
  - \* Waterproof rate: IP68, unmated 1m/24h
  - \* IP69K, mated
  - \* Connector
    - Housing: Thermoplastic, Black
    - Pin: Copper alloy, Gold plated
    - O-Ring: Rubber, Green
  - \* Shield: Metal
  - \* Nut: Metal
  - \* O-Ring: Rubber, Black
  - \* For panel thickness max: 4.5mm
  - \* Nut is packed separately in pe bag

UNIT: mm

TOLERANCE	
.X	±0.25
.XX	±0.1
.XXX	±0.05
ANGLES	±1°

TITLE O SEN, M12 A (1) RECEPTACLE, F, I, SOLDER			
SCALE 2:1	SIZE A4	SHEET 1 OF 1	
REV. E	WC-REV. A.3	: Inspection item	

**Amphenol LTW**  
安費諾亮泰企業股份有限公司

ITEM NO.	DRAWN BY SamChang	DATE 2012-08-08
DWG NO. 12-XXPFIS-SH8003	CHECKED BY Jeffrey	DATE 2012-08-28
CUSTOMER ALTW	APPROVED BY Maslow	DATE 2012-08-28