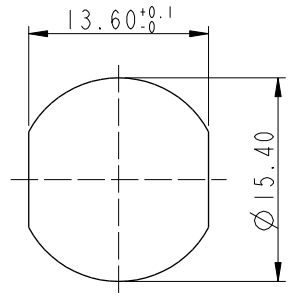


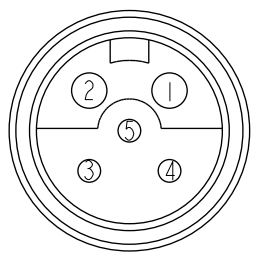
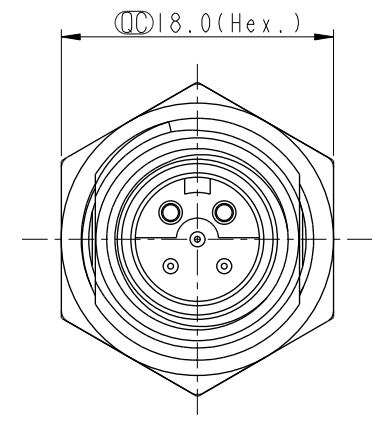
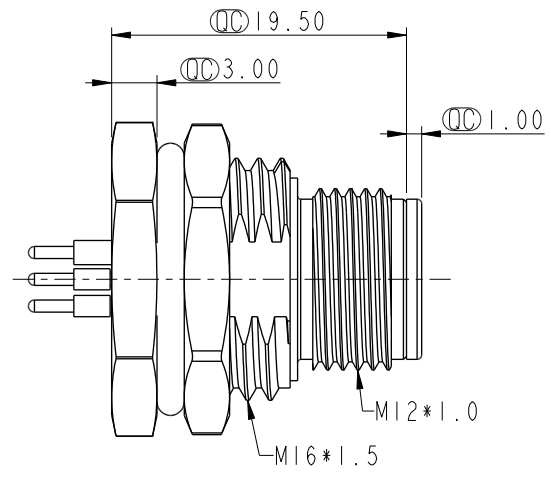
THIS DOCUMENT IS SUBJECT TO CHANGE WITHOUT NOTICE. IT IS CONFIDENTIAL AND A PROPERTY OF Amphenol LTW. DISCLOSURE TO THIRD PARTY HAS TO BE AUTHORIZED BY Amphenol LTW.

REV.	ECN NO.	DATE	SIGN	DESCRIPTION
C	C210309	2021/03/15	Ruru	$\triangle C$ X4
D	C221890	2022/12/27	Vicky	$\triangle D$ XI
E	C231037	2023/08/07	Vicky	$\triangle E$ XI



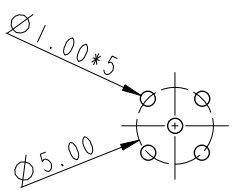
Recommended Panel Cut-Out

$\triangle C$
12-XXPMIP-SF8004
XX: No. Of Pin



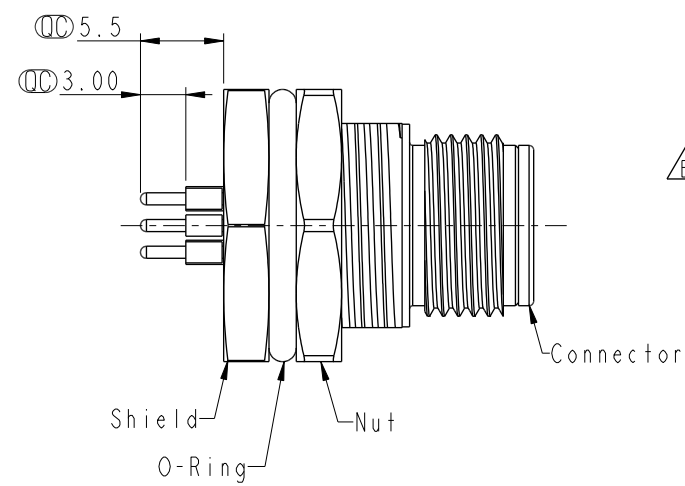
5P

Pin Assignment Front View



5P

PCB Layout



- $\triangle B \triangle C$ Note:
- * RoHS Compliant
 - * \varnothing Important dimension
 - $\triangle D$ * Waterproof rate: IP68, unmated 1m/24h
 $\triangle E$ IP69K, mated
 - * Connector
 - Housing: Thermoplastic, Black
 - Pin: Copper alloy, Gold plated
 - * Shield: Metal
 - * Nut: Metal
 - * O-Ring: Rubber, Black
 - * For panel thickness max: 4.5mm
 - * Nut is packed separately in pe bag

UNIT:mm		
TOLERANCE	.X ±0.25	
	.XX ±0.1	
	.XXX ±0.05	
ANGLES	±1°	

TITLE O SEN, M12 A (1) RECEPTACLE, M, 1, PCB S $\triangle C$			
SCALE 2:1	SIZE A4	SHEET 1 OF 1	
REV. E	WC-REV. A.3	\varnothing : Inspection item	

Amphenol LTW
安費諾亮泰企業股份有限公司

ITEM NO	DWG NO
	$\triangle C$ 12-XXPMIP-SF8004
CUSTOMER	ALTW

DRAWN BY	CHECKED BY
SamChang	Jeffrey
APPROVED BY	
Maslow	

DATE	DATE	DATE
2012-08-08	2012-08-28	2012-08-28