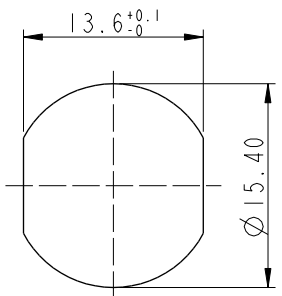


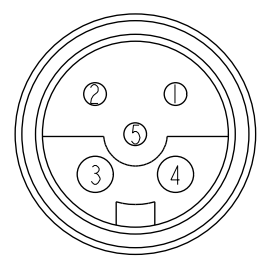
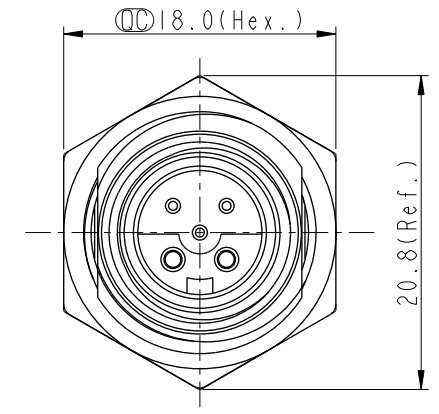
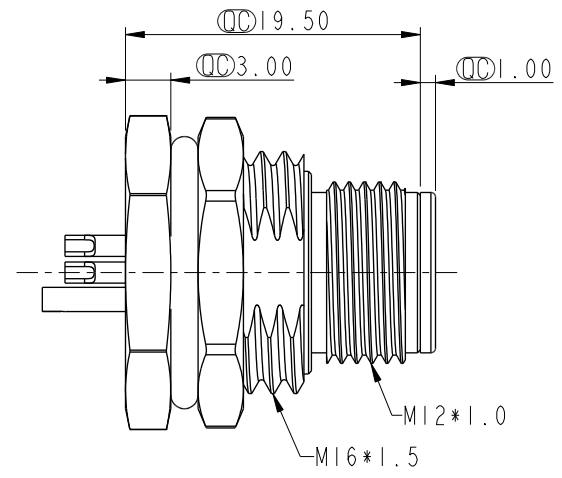
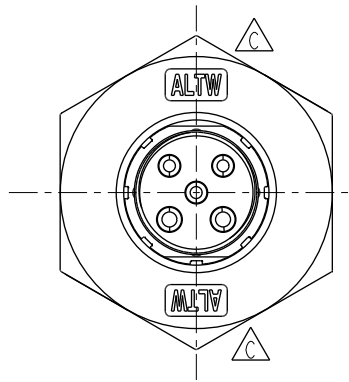
THIS DOCUMENT IS SUBJECT TO CHANGE WITHOUT NOTICE. IT IS CONFIDENTIAL AND A PROPERTY OF AMPHENOL LTW. DISCLOSURE TO THIRD PARTY HAS TO BE AUTHORIZED BY AMPHENOL LTW.

REV.	ECN NO.	DATE	SIGN	DESCRIPTION
D	C210309	2021/03/15	Ruru	△D X4
E	C221890	2022/12/27	Vicky	△E XI
F	C231037	2023/08/07	Vicky	△F XI

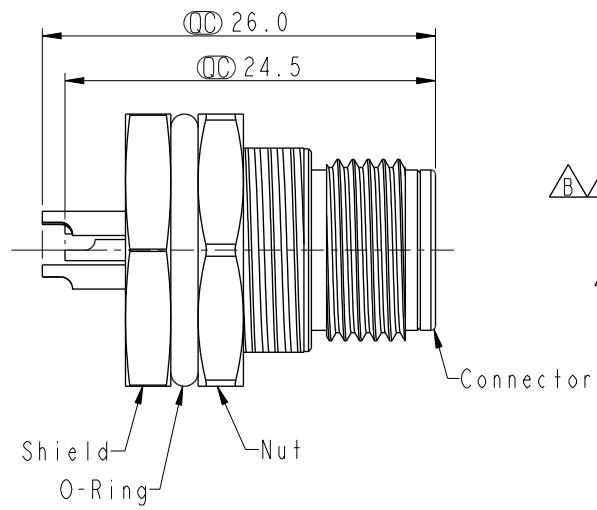


Recommended Panel Cut-Out

△D 12-XXPMIS-SF8003
XX: No. Of Pin



5P
Pin Assignment Front View



- △B △D Note:
- * RoHS Compliant
 - * ∅ Important dimension
 - * Waterproof rate: IP68, unmated 1m/24h
 - * IP69K, mated
 - * Connector
 - Housing: Thermoplastic, Black
 - Pin: Copper alloy, Gold plated
 - * Shield: Metal
 - * Nut: Metal
 - * O-Ring: Rubber, Black
 - * For panel thickness max: 4.5mm
 - * Nut is packed separately in pe bag

UNIT	mm
TOLERANCE	
.X	±0.25
.XX	±0.1
.XXX	±0.05
ANGLES	±1°

TITLE O SEN, M12 A (1) RECEPTACLE, M, I, SOLDER △D			
SCALE	SIZE	SHEET	OF
2:1	A4	1	1
REV.	WC-REV.	∅: Inspection item	
F	A.3		

Amphenol LTW
安費諾亮泰企業股份有限公司

ITEM NO.	DRAWN BY	DATE
	JC Chen	2019-02-16
DWG NO.	CHECKED BY	DATE
△D 12-XXPMIS-SF8003	Li Feng	2019-02-16
CUSTOMER	APPROVED BY	DATE
ALTW	Jerry	2019-02-16