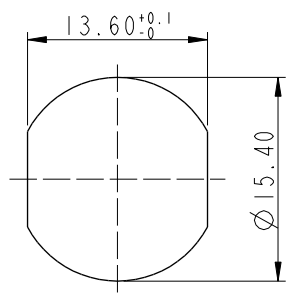


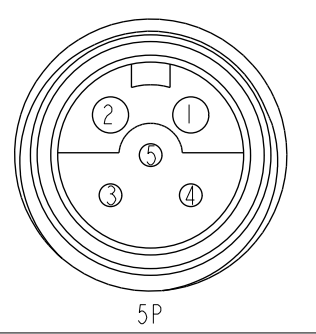
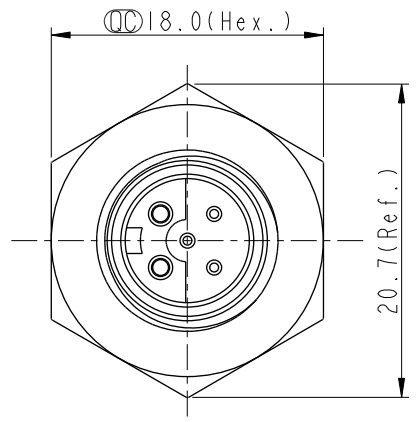
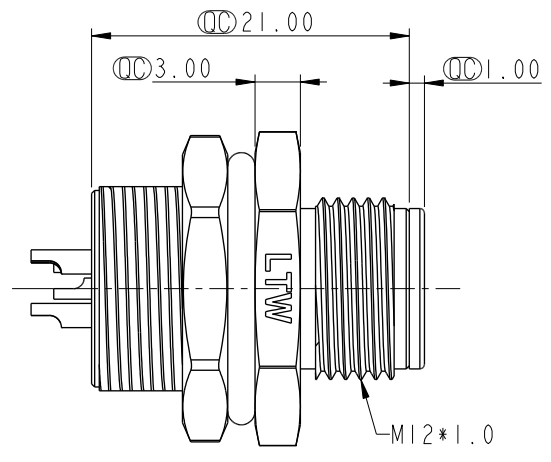
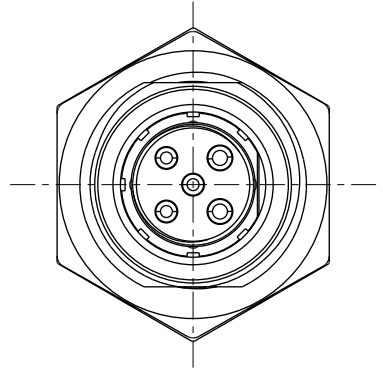
THIS DOCUMENT IS SUBJECT TO CHANGE WITHOUT NOTICE. IT IS CONFIDENTIAL AND A PROPERTY OF AMPHENOL LTW. DISCLOSURE TO THIRD PARTY HAS TO BE AUTHORIZED BY AMPHENOL LTW.

REV.	ECN NO.	DATE	SIGN	DESCRIPTION
C	C210309	2021/03/15	Ruru	$\triangle C$ X4
D	C221890	2022/12/27	Vicky	$\triangle D$ XI
E	C231037	2023/08/07	Vicky	$\triangle E$ XI

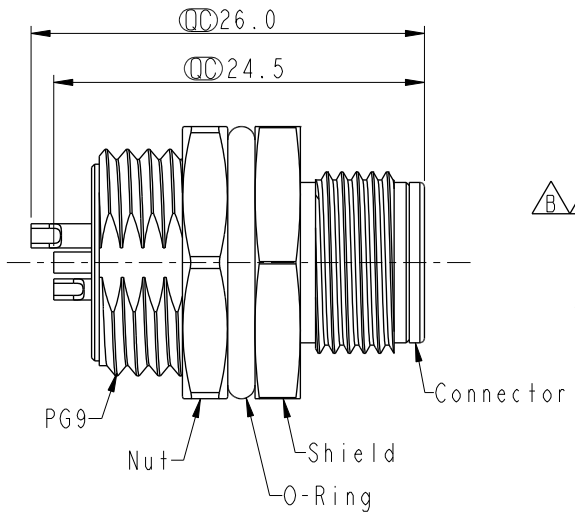


Recommended Panel Cut-Out

$\triangle C$
12-XXPMIS-SH8001
XX: No. Of Pin



5P
Pin Assignment Front View



- $\triangle B \triangle C$ Note:
- * RoHS Compliant
 - * \varnothing Important dimension
 - * $\triangle D$ Waterproof rate: IP68, unmated 1m/24h
 $\triangle E$ IP69K, mated
 - * Connector
 - Housing: Thermoplastic, Black
 - Pin: Copper alloy, Gold plated
 - * Shield: Metal
 - * Nut: Metal
 - * O-Ring: Rubber, Black
 - * For panel thickness max: 4.5mm
 - * Nut is packed separately in pe bag

UNIT: mm

TOLERANCE	
.X	±0.25
.XX	±0.1
.XXX	±0.05
ANGLES	±1°

TITLE O SEN, M12 A (1) RECEPTACLE, M, I, SOLDER $\triangle C$			
SCALE 2:1	SIZE A4	SHEET 1 OF 1	
REV. E	WC-REV. A.3	\varnothing : Inspection item	

Amphenol LTW
安費諾亮泰企業股份有限公司

ITEM NO.	DWG NO.
	$\triangle C$ 12-XXPMIS-SH8001
CUSTOMER	
ALTW	

DRAWN BY	CHECKED BY
SamChang	Jeffrey
APPROVED BY	
Maslow	

DATE	DATE
2012-08-08	2012-08-29
DATE	DATE
2012-08-29	2012-08-29