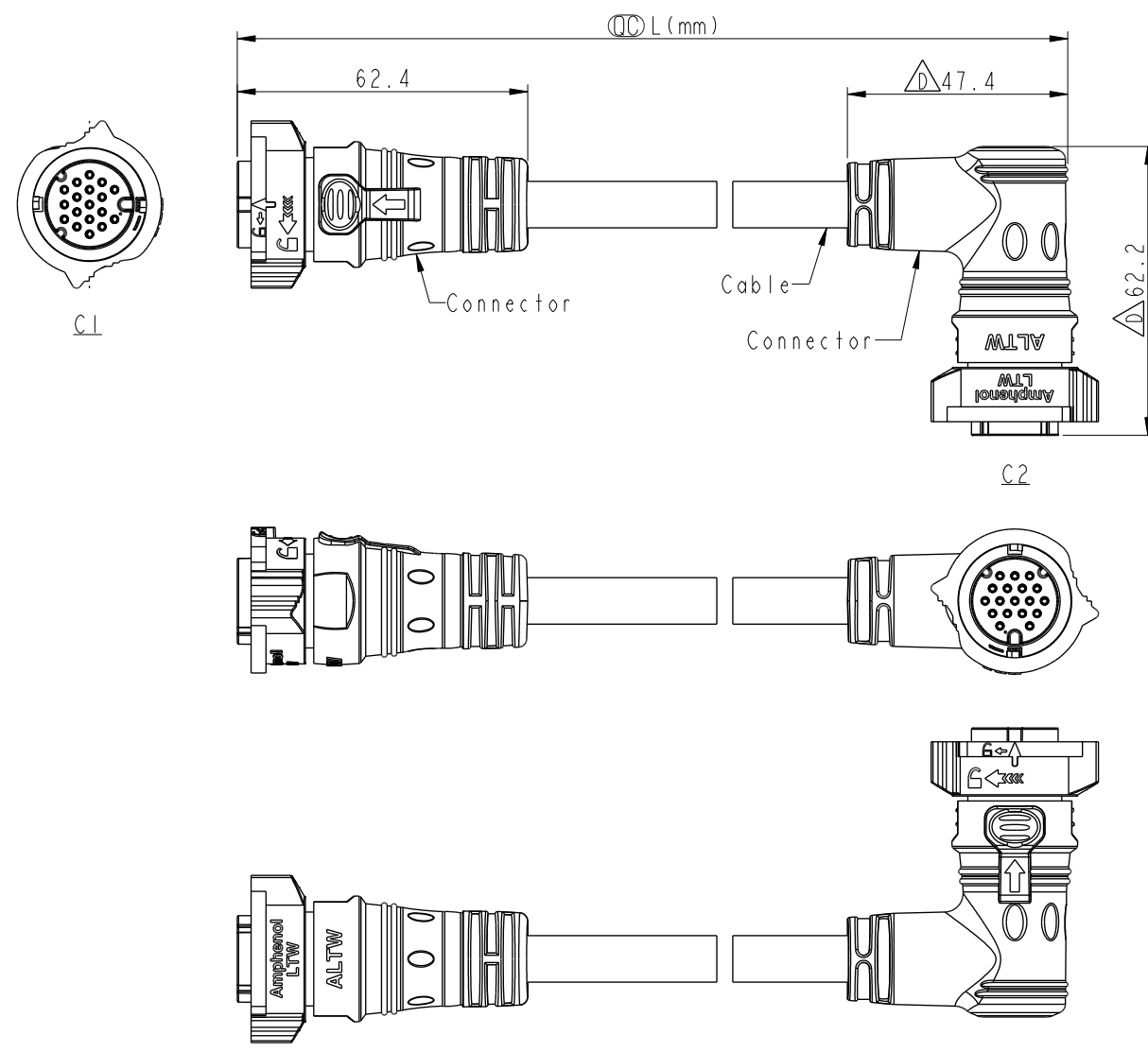


THIS DOCUMENT IS SUBJECT TO CHANGE WITHOUT NOTICE. IT IS CONFIDENTIAL AND A PROPERTY OF Amphenol LTW. DISCLOSURE TO THIRD PARTY HAS TO BE AUTHORIZED BY Amphenol LTW.

REV.	ECN NO.	DATE	SIGN	DESCRIPTION
B	C220465	2022/03/30	Ruru	$\triangle B$ X2
C	C230187	2023/02/14	Vicky	$\triangle C$ X2
D	C231263	2023/09/28	Ruru	$\triangle D$ X2



Note: $\triangle B$

- * RoHS Compliant
- * $\circ L$ Important dimension
- * C1
- $\triangle C$ Waterproof rate: IP68, mated 1m/24h
 Housing: Thermoplastic, Black
 Pin: Copper Alloy, Gold Plated
 O-Ring: Rubber, Dark Gray
 Nut: Thermoplastic, Black
 Outer mold: Thermoplastic, Black
- * C2
- $\triangle C$ Waterproof rate: IP68, mated 1m/24h
 Housing: Thermoplastic, Black
 Pin: Copper Alloy, Gold Plated
 O-Ring: Rubber, Dark Gray
 Nut: Thermoplastic, Black
 Outer mold: Thermoplastic, Black
- * Cable: UL21388, PVC Jacket, Black
- * Cable length tolerance: 0.5M < L \leq 1M: +60/-0 mm
 1M < L \leq 3M: +120/-0 mm
 3M < L \leq 5M: +160/-0 mm
 5M < L \leq 10M: \pm 100 mm
 10M < L \leq 20M: \pm 200 mm
 20M < L \leq 30M: \pm 300 mm
 30M < L \leq 99M: \pm 500 mm

UNIT: mm		TITLE	ACC, XLOK, D-5A, DB-ENDED FF	
TOLERANCE	± 0.5 mm	SCALE	1:2	SIZE A4
		REV.	D	WC-REV.
			$\circ L$: Inspection item	

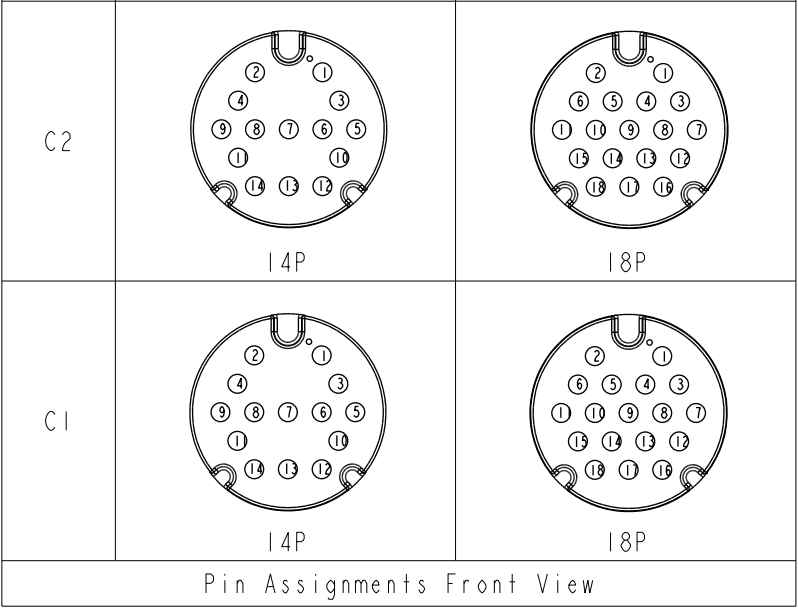
Amphenol LTW
安費諾亮泰企業股份有限公司

ITEM NO	DRAWN BY	DATE
	Ruru	2020-01-14
DWG NO	CHECKED BY	DATE
AB-DDXXFL-DDFR-QDXXX	Rita	2020-01-14
CUSTOMER	APPROVED BY	DATE
ALTW	Max	2020-01-14

THIS DOCUMENT IS SUBJECT TO CHANGE WITHOUT NOTICE. IT IS CONFIDENTIAL AND A PROPERTY OF AMPHENOL LTW. DISCLOSURE TO THIRD PARTY HAS TO BE AUTHORIZED BY AMPHENOL LTW.

18P	PVC	10	20	AB-DD18FL-DDFR-QDXXX
14P		8.5		AB-DD14FL-DDFR-QDXXX
Contacts	Cable Jacket	Cable OD	AWG	Item No.

Pin Out	14	Brown/White	棕/白	18	Blue/White	藍/白
	13	Black/White	黑/白	17	Green/White	綠/白
	12	Light Green	淡綠	16	Orange/White	橙/白
	11	Pink	粉紅	15	Red/White	紅/白
	10	White	白	14	Brown/White	棕/白
	9	Gray	灰	13	Black/White	黑/白
	8	Purple	紫	12	Light Green	淡綠
	7	Blue	藍	11	Pink	粉紅
	6	Green	綠	10	White	白
	5	Yellow	黃	9	Gray	灰
	4	Orange	橙	8	Purple	紫
	3	Red	紅	7	Blue	藍
	2	Brown	棕	6	Green	綠
	1	Black	黑	5	Yellow	黃
Pin #	Wire		Pin #	Wire		



UNIT:mm		TITLE	ACC, XLOK, D-5A, DB-ENDED FF		
TOLERANCE	± 0.5 mm	SCALE	1:2	SIZE	A4
		REV.	D	WC-REV.	
			SHEET 2 OF 2		
			☉: Inspection item		

Amphenol LTW
安費諾亮泰企業股份有限公司

ITEM NO	DRAWN BY	DATE
DWG NO	CHECKED BY	DATE
CUSTOMER	APPROVED BY	DATE
ALTW	Ruru	2020-01-14
	Rita	2020-01-14
	Max	2020-01-14