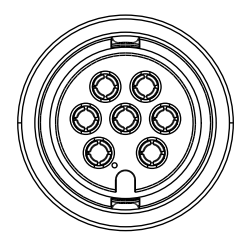
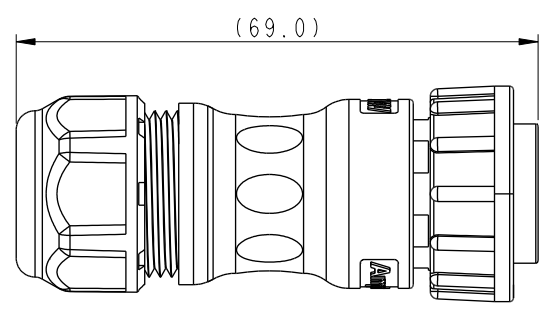
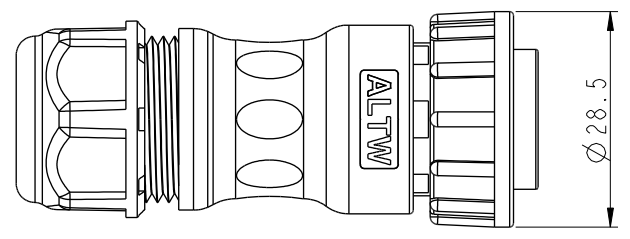
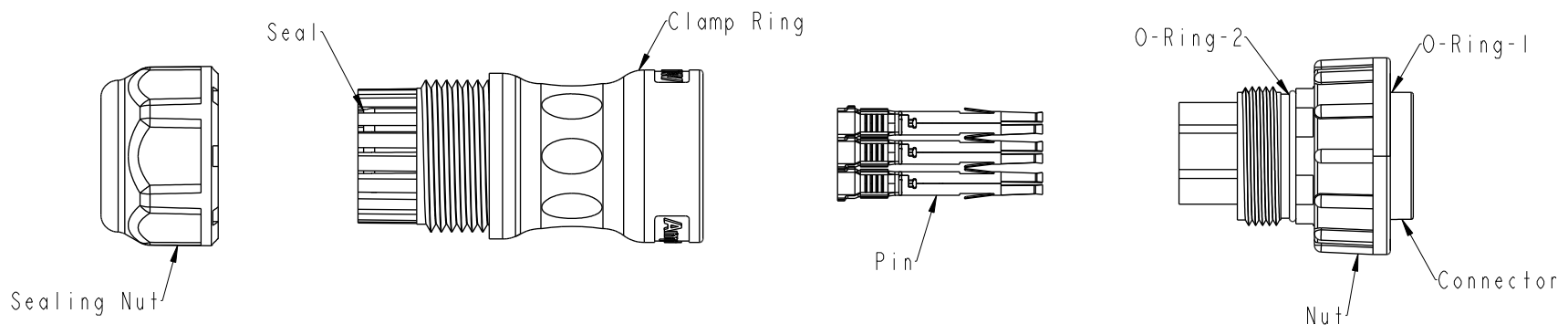


THIS DOCUMENT IS SUBJECT TO CHANGE WITHOUT NOTICE. IT IS CONFIDENTIAL AND A PROPERTY OF Amphenol LTW. DISCLOSURE TO THIRD PARTY HAS TO BE AUTHORIZED BY Amphenol LTW.

REV.	ECN NO.	DATE	SIGN	DESCRIPTION
B	C192041	2019-11-25	Peng	$\triangle B$ X1
C	C231273	2023-10-06	Ruru	$\triangle C$ X6



- $\triangle C$ Note:
- * RoHS Compliant
 - * $\text{\textcircled{C}}$ Important dimension
 - * Waterproof rate: IP67, mated
 - * Connector
 - Housing: Thermoplastic, Black
 - Pin: Copper alloy, Gold plated
 - Nut: Thermoplastic, Black
 - O-Ring-1: Rubber, Gray
 - O-Ring-2: Rubber, Dark gray
 - * Clamp Ring: Thermoplastic, Black
 - * Sealing Nut: Thermoplastic, Black
 - * Sealing : Rubber
 - * One set unassembled in one pe bag

UNIT:mm			TITLE N CERES, ST, D-20A, CABLE W/O SR F, F, CRIMP, 2LOCK $\triangle C$
TOLERANCE ± 0.5 mm	SCALE 8:5	SIZE A4	SHEET 1 OF 2
	REV. C	WC-REV. A.3	$\text{\textcircled{C}}$: Inspection item

Amphenol LTW
安費諾亮泰企業股份有限公司

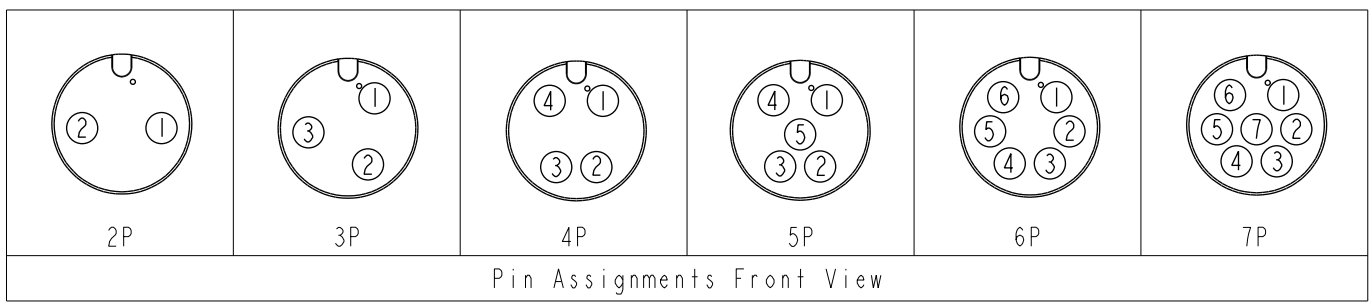
ITEM NO	DRAWN BY Peng	DATE 2018-12-17
DWG NO $\triangle C$ ADC-XXBFFC-LL7XP0	CHECKED BY Mafei	DATE 2018-12-17
CUSTOMER ALTW	APPROVED BY Jerry	DATE 2018-12-17

THIS DOCUMENT IS SUBJECT TO CHANGE WITHOUT NOTICE. IT IS CONFIDENTIAL AND A PROPERTY OF Amphenol LTW. DISCLOSURE TO THIRD PARTY HAS TO BE AUTHORIZED BY Amphenol LTW.

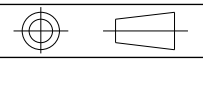
△
ADC-XXBFFC-LL7XP0

XX: No. Of Pin

- A: With Red&Yellow&Blue Color Seal
- S: With Red Color Seal, Cable OD 8.0~10.0mm.
- M: With Yellow Color Seal, Cable OD 10.0~12.0mm.
- L: With Blue Color Seal, Cable OD 12.0~14.0mm.



UNIT:mm
TOLERANCE



TITLE N CERES, ST, D-20A, CABLE W/O SR F, F, CRIMP, 2LOCK △			
SCALE 1:1	SIZE A4	SHEET 2 OF 2	
REV. C	WC-REV. .0	QC: Inspection item	

Amphenol LTW
安費諾亮泰企業股份有限公司

ITEM NO	DWG NO △ ADC-XXBFFC-LL7XP0
CUSTOMER ALTW	

DRAWN BY Peng	CHECKED BY Mafei
APPROVED BY Jerry	

DATE 2018-12-17	DATE 2018-12-17
DATE 2018-12-17	