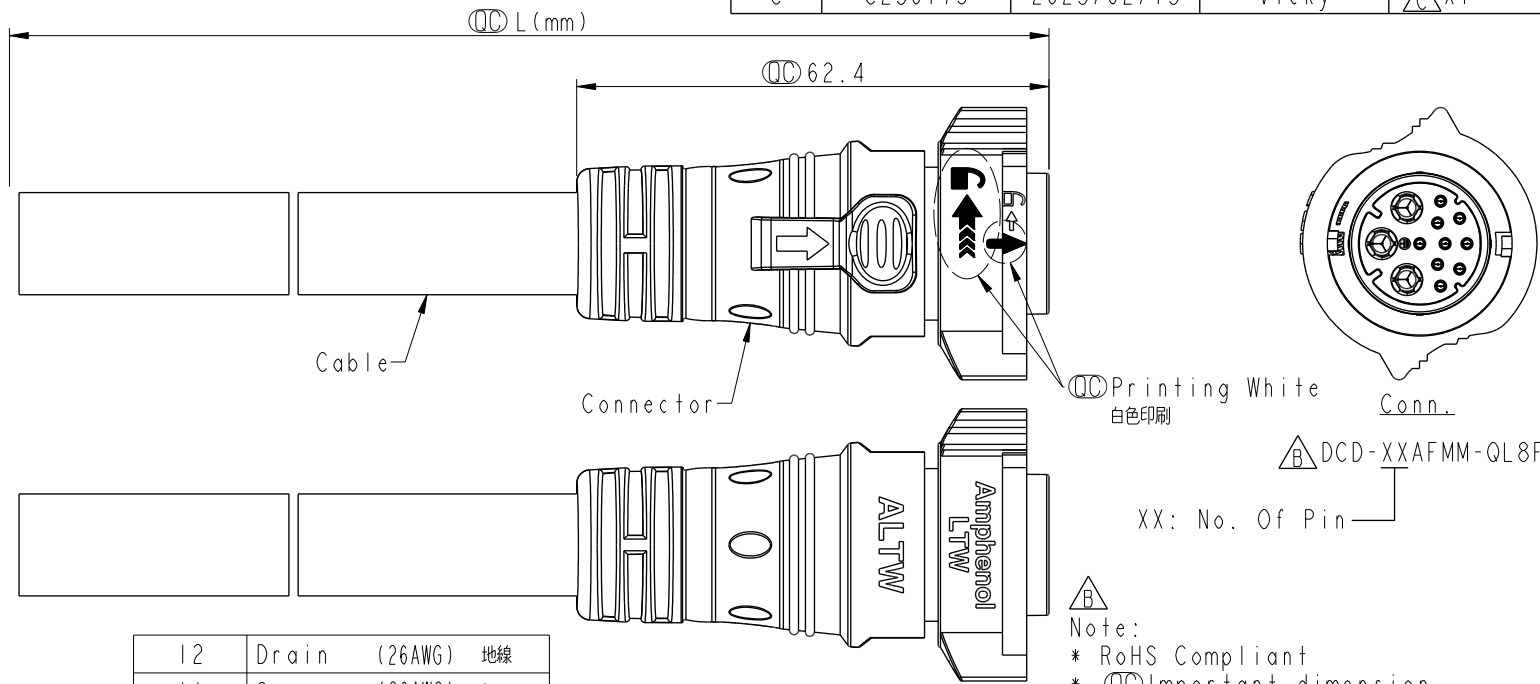


THIS DOCUMENT IS SUBJECT TO CHANGE WITHOUT NOTICE. IT IS CONFIDENTIAL AND A PROPERTY OF Amphenol LTW. DISCLOSURE TO THIRD PARTY HAS TO BE AUTHORIZED BY Amphenol LTW.

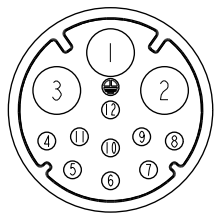
REV.	ECN NO.	DATE	SIGN	DESCRIPTION
A	Initial Release	2016/04/25	Spring	Change Rev.01 To Rev.A
B	C220629	2022/05/04	Vicky	$\triangle B$ X4
C	C230175	2023/02/13	Vicky	$\triangle C$ XI



$\triangle B$  DCD-XXAFMM-QL8FXX  
 XX: No. Of Pin  
 XX: 01~99Meters  
 01: 01Meter  
 02: 02Meters  
 :  
 99: 99Meters

- Note:
- \* RoHS Compliant
  - \*  $\odot$  Important dimension
  - \* Waterproof rate: IP68, mated 1m/24h
  - \* Connector  
 Housing: Thermoplastic, Black  
 Pin: Copper alloy, Gold plated  
 O-Ring: Rubber, Dark gray  
 Nut: Thermoplastic, Black  
 Outer mold: Thermoplastic, Black
  - \* Cable: UL21996 (26#\*4P+D+AL)+12#\*3C+F+AL, PVC Jacket, OD=13.5, Black
  - \* Cable length tolerance: 1M: +50/-0 mm  
 3M < L ≤ 5M: +100/-0 mm  
 5M < L ≤ 10M: ±100 mm  
 10M < L ≤ 20M: ±200 mm  
 20M < L ≤ 30M: ±300 mm  
 30M < L ≤ 99M: ±500 mm

12	Drain	(26AWG)	地線	Twist 對線
11	Gray	(26AWG)	灰	
10	Yellow	(26AWG)	黃	Twist 對線
9	Orange	(26AWG)	橘	
8	Violet	(26AWG)	紫	Twist 對線
7	Blue	(26AWG)	藍	
6	Red	(26AWG)	紅	Twist 對線
5	Green	(26AWG)	綠	
4	White	(26AWG)	白	Twist 對線
3	Black	(12AWG)	黑	
2	White	(12AWG)	白	Twist 對線
1	Green	(12AWG)	綠	
Conn.	Wire Color			



12P

Pin Assignments Front View      Pin Out

UNIT:mm

TOLERANCE  
±0.5 mm

TITLE XLOK, D-20A+5A, CABLE W/SR F, M, MOLDING, PUSH LOCK $\triangle B$			
SCALE 1:1	SIZE A4	SHEET 1 OF 1	
REV. C	WC-REV. A.2	$\odot$ : Inspection item	

**Amphenol LTW**  
 安費諾亮泰企業股份有限公司

ITEM NO	DRAWN BY Spring	DATE 2016-04-25
DWG NO $\triangle B$ DCD-XXAFMM-QL8FXX	CHECKED BY Fisher	DATE 2016-04-25
CUSTOMER ALTW	APPROVED BY Kevin	DATE 2016-04-25