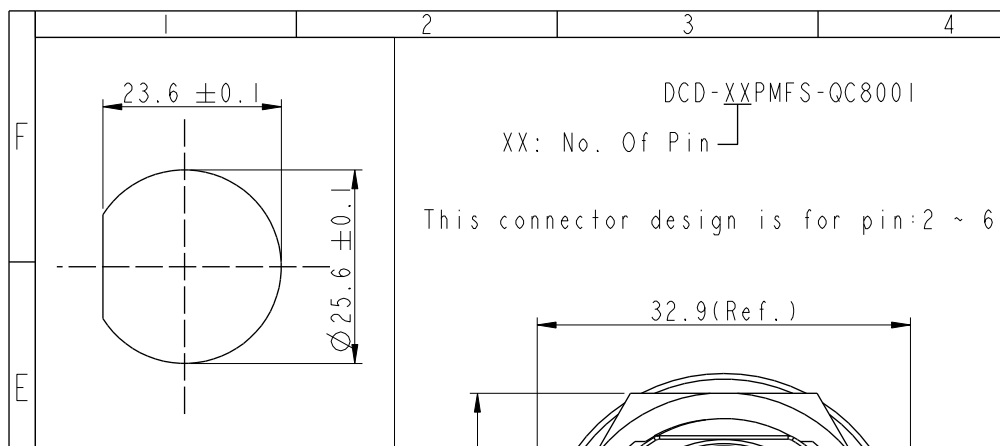
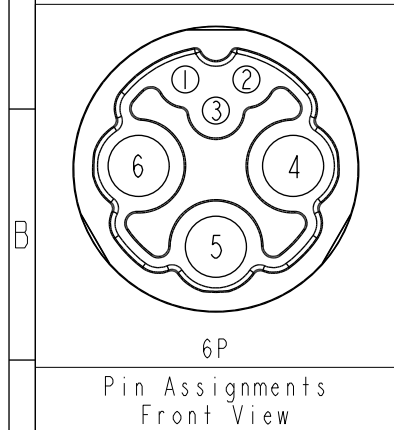
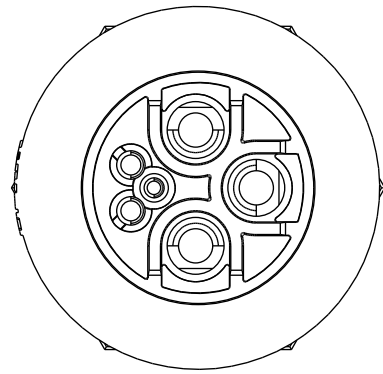
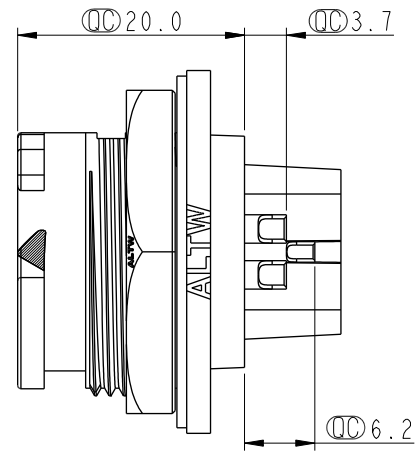
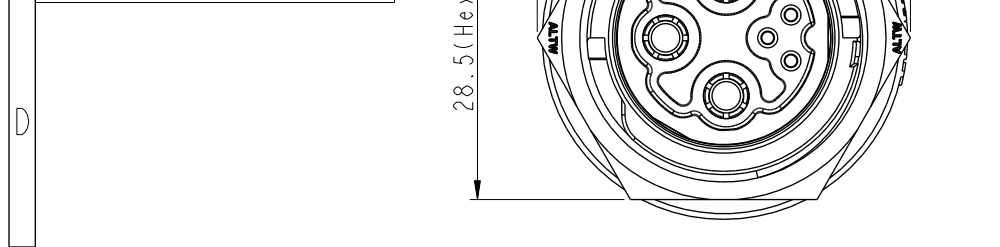


THIS DOCUMENT IS SUBJECT TO CHANGE WITHOUT NOTICE. IT IS CONFIDENTIAL AND A PROPERTY OF AMPHENOL LTW. DISCLOSURE TO THIRD PARTY HAS TO BE AUTHORIZED BY AMPHENOL LTW.

REV.	ECN NO.	DATE	SIGN	DESCRIPTION
B	C190403	2019/03/12	Vicky	Change Note
C	C220628	2022/05/11	Vicky	△C X3
D	C230175	2023/02/13	Vicky	△D X2

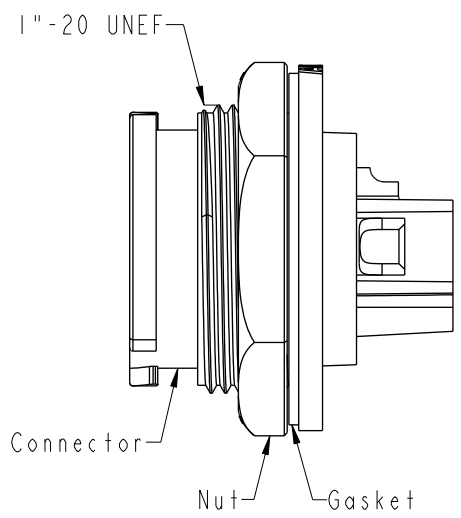


Recommended Panel Cut-Out



Pin Assignments Front View

UNIT: mm		
TOLERANCE	.X ±0.25	
	.XX ±0.1	
	.XXX ±0.05	
ANGLES	±1°	



- Note:
- \* RoHS Compliant
  - \* Ⓞ Important dimension
  - △D \* Waterproof rate: IP68, unmated 1m/24h
  - \* Connector
  - Housing: Thermoplastic, Black
  - Pin-1: Copper Alloy, Gold plated
  - Pin-2: Copper Alloy, Nickel plated
  - \* Nut: Thermoplastic, Black
  - \* Gasket: Rubber, Gray
  - \* Use with waterproof cap or dust cap  
Panel thickness max: 2.6mm
  - \* Use without waterproof cap or dust cap  
Panel thickness max: 3.6mm
  - \* Gasket and nut are packed separately in pe bag

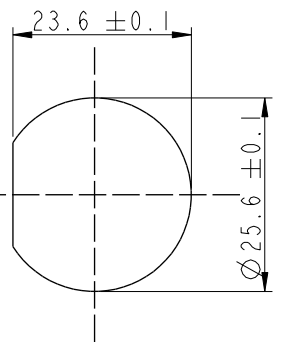
TITLE XLOK, D-20A+5A, FRONT FASTENED M, F, SOLDER, PUSH LOCK		
SCALE 3:2	SIZE A4	SHEET 1 OF 2
REV. D	WC-REV. A.2	Ⓞ: Inspection item

**Amphenol LTW**  
安費諾亮泰企業股份有限公司

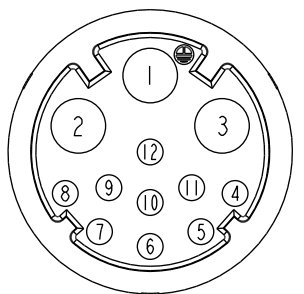
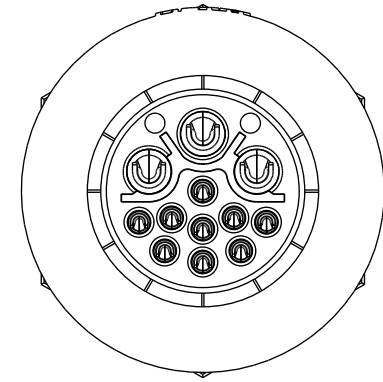
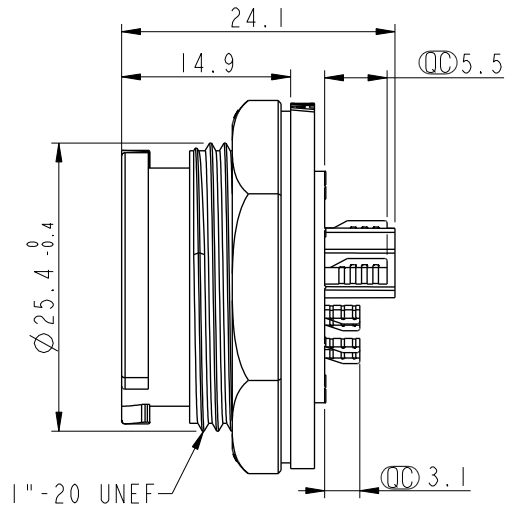
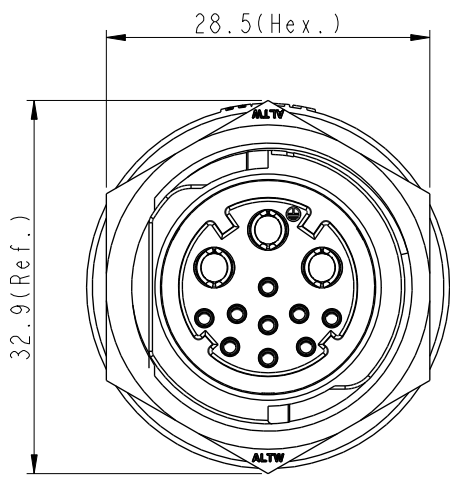
ITEM NO.	DRAWN BY Vicky	DATE 2019-03-12
DWG NO. DCD-XXPMFS-QC8001	CHECKED BY Rita	DATE 2019-03-12
CUSTOMER ALTW	APPROVED BY Max	DATE 2019-03-12

THIS DOCUMENT IS SUBJECT TO CHANGE WITHOUT NOTICE. IT IS CONFIDENTIAL AND A PROPERTY OF Amphenol LTW. DISCLOSURE TO THIRD PARTY HAS TO BE AUTHORIZED BY Amphenol LTW.

This connector design is for pin:7 ~ 12



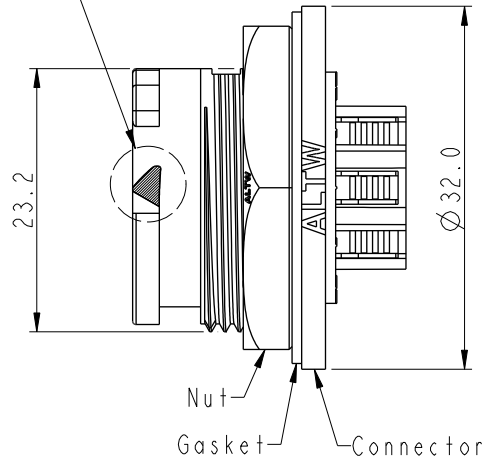
Recommended Panel Cut-Out



12P

Pin Assignments Front View

White Printing



- Note:
- \* RoHS Compliant
  - \*  $\varnothing$  Important dimension
  - \* Waterproof rate: IP68, unmated 1m/24h
  - \* Connector
  - Housing: Thermoplastic, Black
  - Pin: Copper Alloy, Gold plated
  - \* Nut: Thermoplastic, Black
  - \* Gasket: Rubber, Gray
  - \* Use with waterproof cap or dust cap
  - Panel thickness max: 2.6mm
  - \* Use without waterproof cap or dust cap
  - Panel thickness max: 3.6mm
  - \* Gasket and nut are packed separately in pe bag

UNIT: mm		
TOLERANCE	.X ±0.25	
	.XX ±0.1	
	.XXX ±0.05	
ANGLES	±1°	

TITLE XLOK, D-20A+5A, FRONT FASTENED M, F, SOLDER, PUSH LOCK			
SCALE 3:2	SIZE A4	SHEET 2 OF 2	
REV. D	WC-REV. A.2	$\varnothing$ Inspection item	

**Amphenol LTW**  
安費諾亮泰企業股份有限公司

ITEM NO	DRAWN BY Vicky	DATE 2019-03-12
DWG NO $\varnothing$ DCD-XXPMFS-QC8001	CHECKED BY Rita	DATE 2019-03-12
CUSTOMER ALTW	APPROVED BY Max	DATE 2019-03-12