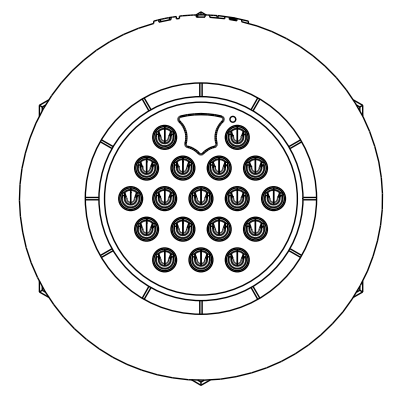
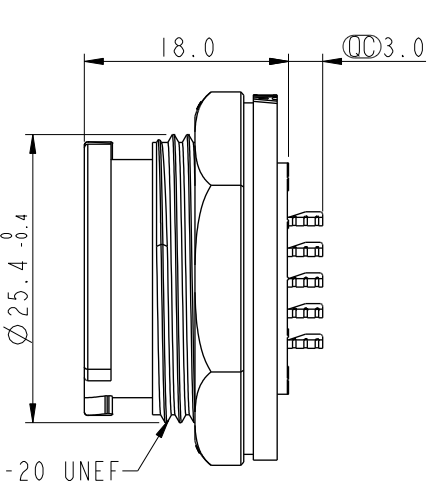
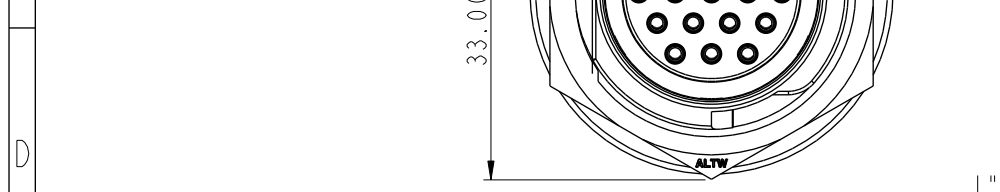
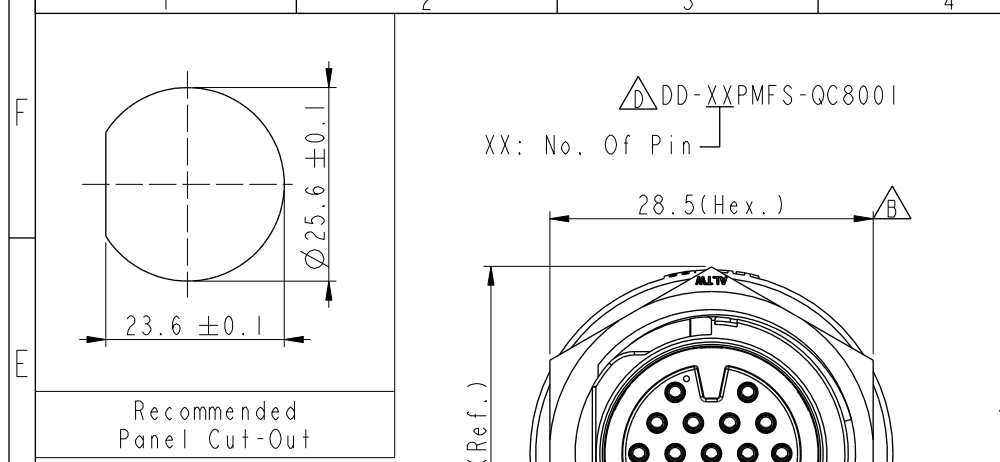
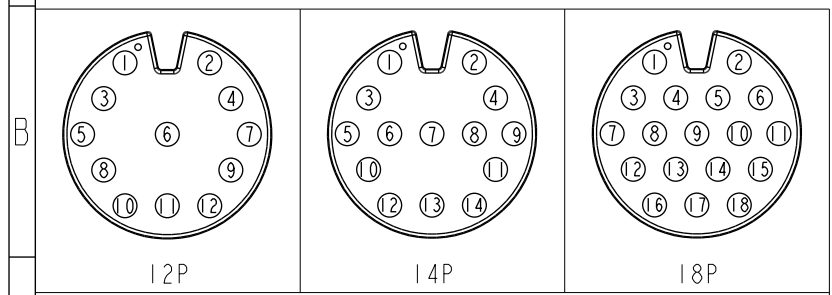


THIS DOCUMENT IS SUBJECT TO CHANGE WITHOUT NOTICE. IT IS CONFIDENTIAL AND A PROPERTY OF Amphenol LTW. DISCLOSURE TO THIRD PARTY HAS TO BE AUTHORIZED BY Amphenol LTW.

REV.	ECN NO.	DATE	SIGN	DESCRIPTION
C	C190403	2019/03/13	Vicky	Change Note
D	C220628	2022/05/12	Vicky	$\triangle D$ X4
E	C230186	2023/02/13	Vicky	$\triangle E$ XI



- $\triangle C$ $\triangle D$
 Note:
 * RoHS Compliant
 * $\text{\textcircled{C}}$ Important dimension
 $\triangle E$ * Waterproof rate: IP68, unmated 1m/24h
 * Connector
 Housing: Thermoplastic, Black
 Pin: Copper Alloy, Gold plated
 * Nut: Thermoplastic, Black
 * Gasket: Rubber, Gray
 * Use with waterproof cap or dust cap
 Panel thickness max: 2.6mm
 * Use without waterproof cap or dust cap
 Panel thickness max: 3.6mm
 * Gasket and nut are packed separately
 in pe bag



UNIT: mm		TITLE	
TOLERANCE	± 0.25	XLOK, D-5A, FRONT FASTENED	
.X	± 0.1	M, F, SOLDER, PUSH LOCK	
.XX	± 0.05	SCALE	3:2
.XXX	$\pm 1^\circ$	SIZE	A4
ANGLES	$\pm 1^\circ$	SHEET	1 OF 1
		REV.	E
		WC-REV.	A.3
		$\text{\textcircled{C}}$	Inspection item

Amphenol LTW
 安費諾亮泰企業股份有限公司

ITEM NO.	DRAWN BY	DATE
	Vicky	2019-03-13
DWG NO.	CHECKED BY	DATE
$\triangle D$ DD-XXPMFS-QC8001	Rita	2019-03-13
CUSTOMER	APPROVED BY	DATE
ALTW	Max	2019-03-13