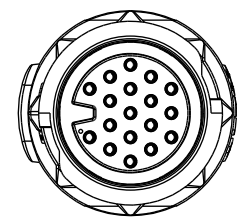
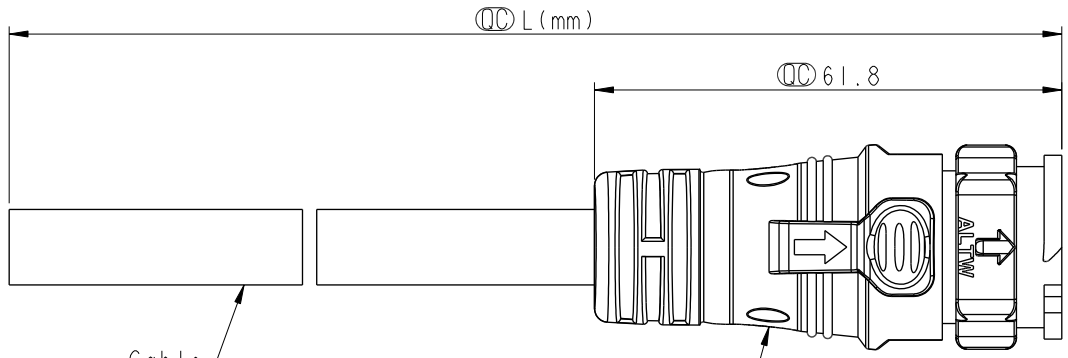
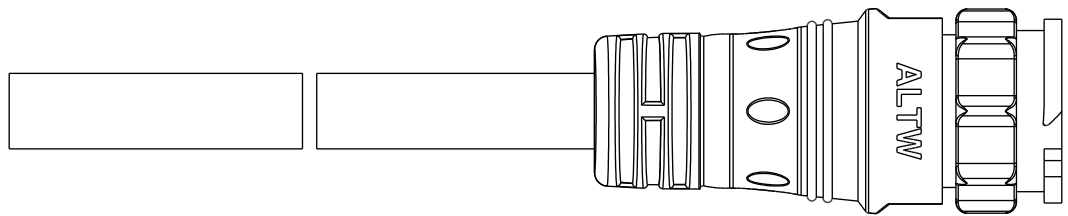


THIS DOCUMENT IS SUBJECT TO CHANGE WITHOUT NOTICE. IT IS CONFIDENTIAL AND A PROPERTY OF AMPHENOL LTW. DISCLOSURE TO THIRD PARTY HAS TO BE AUTHORIZED BY AMPHENOL LTW.

REV.	ECN NO.	DATE	SIGN	DESCRIPTION
B	C220554	2022/04/12	Vicky	$\triangle B$ X8
C	C230186	2023/02/13	Vicky	$\triangle C$ XI



Conn.



- $\triangle B$
Note:
- * RoHS Compliant
 - * \textcircled{C} Important dimension
 - $\triangle C$ * Waterproof rate: IP68, mated 1m/24h
 - * Connector
 - Housing: Thermoplastic, Black
 - Pin: Copper alloy, Gold plated
 - Outer mold: Thermoplastic, Black
 - * Cable: UL21388, PVC Jacket, Black
 - * Cable length tolerance: 1M: +50/-0 mm

1M < L ≤ 3M:	+100/-0 mm
3M < L ≤ 5M:	+150/-0 mm
5M < L ≤ 10M:	±100 mm
10M < L ≤ 20M:	±200 mm
20M < L ≤ 30M:	±300 mm
30M < L ≤ 99M:	±500 mm

UNIT: mm

TOLERANCE

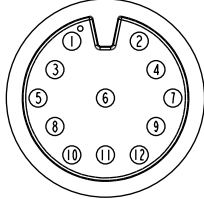
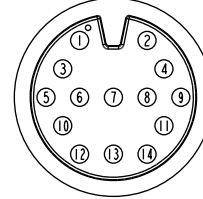
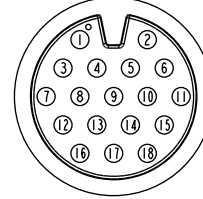
±0.5mm

TITLE XLOK, D-5A, CABLE W/SR M, F, MOLDING, PUSH LOCK $\triangle B$		
SCALE 1:1	SIZE A4	SHEET 1 OF 2
REV. C	WC-REV. A.2	\textcircled{C} : Inspection item

Amphenol LTW
安費諾亮泰企業股份有限公司

ITEM NO.	DRAWN BY Micky	DATE 2014-12-24
DWG NO. DD-XXAMFM-QL8DXX $\triangle B$	CHECKED BY Spring	DATE 2014-12-24
CUSTOMER ALTW	APPROVED BY Kevin	DATE 2014-12-24

THIS DOCUMENT IS SUBJECT TO CHANGE WITHOUT NOTICE. IT IS CONFIDENTIAL AND A PROPERTY OF Amphenol LTW. DISCLOSURE TO THIRD PARTY HAS TO BE AUTHORIZED BY Amphenol LTW.

F						<table border="1" style="width: 100%; border-collapse: collapse;"> <tr> <td style="width: 15%;">18P</td> <td style="width: 15%;">10.0</td> <td rowspan="3" style="width: 15%; text-align: center;">20</td> <td style="width: 55%;">DD-18AMFM-QL8DXX</td> </tr> <tr> <td>14P</td> <td>8.5</td> <td>DD-14AMFM-QL8DXX</td> </tr> <tr> <td>12P</td> <td>8.5</td> <td>DD-12AMFM-QL8DXX</td> </tr> <tr> <td style="text-align: center;">△B</td> <td>Contacts</td> <td>Cable OD</td> <td>AWG</td> <td>Item No.</td> </tr> </table>	18P	10.0	20	DD-18AMFM-QL8DXX	14P	8.5	DD-14AMFM-QL8DXX	12P	8.5	DD-12AMFM-QL8DXX	△B	Contacts	Cable OD	AWG	Item No.																																																																																																																																																																												
18P	10.0	20	DD-18AMFM-QL8DXX																																																																																																																																																																																														
14P	8.5		DD-14AMFM-QL8DXX																																																																																																																																																																																														
12P	8.5		DD-12AMFM-QL8DXX																																																																																																																																																																																														
△B	Contacts	Cable OD	AWG	Item No.																																																																																																																																																																																													
E																																																																																																																																																																																																	
D	Pin Out	<table border="1" style="width: 100%; border-collapse: collapse;"> <tr> <td style="width: 15%;">12</td> <td style="width: 15%;">Light Green</td> <td style="width: 15%;">淡綠</td> <td style="width: 15%;"></td> </tr> <tr> <td>11</td> <td>Pink</td> <td>粉紅</td> <td></td> </tr> <tr> <td>10</td> <td>White</td> <td>白</td> <td></td> </tr> <tr> <td>9</td> <td>Gray</td> <td>灰</td> <td></td> </tr> <tr> <td>8</td> <td>Purple</td> <td>紫</td> <td></td> </tr> <tr> <td>7</td> <td>Blue</td> <td>藍</td> <td></td> </tr> <tr> <td>6</td> <td>Green</td> <td>綠</td> <td></td> </tr> <tr> <td>5</td> <td>Yellow</td> <td>黃</td> <td></td> </tr> <tr> <td>4</td> <td>Orange</td> <td>橙</td> <td></td> </tr> <tr> <td>3</td> <td>Red</td> <td>紅</td> <td></td> </tr> <tr> <td>2</td> <td>Brown</td> <td>棕</td> <td></td> </tr> <tr> <td>1</td> <td>Black</td> <td>黑</td> <td></td> </tr> <tr> <td></td> <td>Pin #</td> <td>Wire</td> <td></td> </tr> </table>	12	Light Green	淡綠		11	Pink	粉紅		10	White	白		9	Gray	灰		8	Purple	紫		7	Blue	藍		6	Green	綠		5	Yellow	黃		4	Orange	橙		3	Red	紅		2	Brown	棕		1	Black	黑			Pin #	Wire		<table border="1" style="width: 100%; border-collapse: collapse;"> <tr> <td style="width: 15%;">14</td> <td style="width: 15%;">Brown/White</td> <td style="width: 15%;">棕/白</td> <td style="width: 15%;"></td> </tr> <tr> <td>13</td> <td>Black/White</td> <td>黑/白</td> <td></td> </tr> <tr> <td>12</td> <td>Light Green</td> <td>淡綠</td> <td></td> </tr> <tr> <td>11</td> <td>Pink</td> <td>粉紅</td> <td></td> </tr> <tr> <td>10</td> <td>White</td> <td>白</td> <td></td> </tr> <tr> <td>9</td> <td>Gray</td> <td>灰</td> <td></td> </tr> <tr> <td>8</td> <td>Purple</td> <td>紫</td> <td></td> </tr> <tr> <td>7</td> <td>Blue</td> <td>藍</td> <td></td> </tr> <tr> <td>6</td> <td>Green</td> <td>綠</td> <td></td> </tr> <tr> <td>5</td> <td>Yellow</td> <td>黃</td> <td></td> </tr> <tr> <td>4</td> <td>Orange</td> <td>橙</td> <td></td> </tr> <tr> <td>3</td> <td>Red</td> <td>紅</td> <td></td> </tr> <tr> <td>2</td> <td>Brown</td> <td>棕</td> <td></td> </tr> <tr> <td>1</td> <td>Black</td> <td>黑</td> <td></td> </tr> <tr> <td></td> <td>Pin #</td> <td>Wire</td> <td></td> </tr> </table>	14	Brown/White	棕/白		13	Black/White	黑/白		12	Light Green	淡綠		11	Pink	粉紅		10	White	白		9	Gray	灰		8	Purple	紫		7	Blue	藍		6	Green	綠		5	Yellow	黃		4	Orange	橙		3	Red	紅		2	Brown	棕		1	Black	黑			Pin #	Wire		<table border="1" style="width: 100%; border-collapse: collapse;"> <tr> <td style="width: 15%;">18</td> <td style="width: 15%;">Blue/White</td> <td style="width: 15%;">藍/白</td> <td style="width: 15%;"></td> </tr> <tr> <td>17</td> <td>Green/White</td> <td>綠/白</td> <td></td> </tr> <tr> <td>16</td> <td>Orange/White</td> <td>橙/白</td> <td></td> </tr> <tr> <td>15</td> <td>Red/White</td> <td>紅/白</td> <td></td> </tr> <tr> <td>14</td> <td>Brown/White</td> <td>棕/白</td> <td></td> </tr> <tr> <td>13</td> <td>Black/White</td> <td>黑/白</td> <td></td> </tr> <tr> <td>12</td> <td>Light Green</td> <td>淡綠</td> <td></td> </tr> <tr> <td>11</td> <td>Pink</td> <td>粉紅</td> <td></td> </tr> <tr> <td>10</td> <td>White</td> <td>白</td> <td></td> </tr> <tr> <td>9</td> <td>Gray</td> <td>灰</td> <td></td> </tr> <tr> <td>8</td> <td>Purple</td> <td>紫</td> <td></td> </tr> <tr> <td>7</td> <td>Blue</td> <td>藍</td> <td></td> </tr> <tr> <td>6</td> <td>Green</td> <td>綠</td> <td></td> </tr> <tr> <td>5</td> <td>Yellow</td> <td>黃</td> <td></td> </tr> <tr> <td>4</td> <td>Orange</td> <td>橙</td> <td></td> </tr> <tr> <td>3</td> <td>Red</td> <td>紅</td> <td></td> </tr> <tr> <td>2</td> <td>Brown</td> <td>棕</td> <td></td> </tr> <tr> <td>1</td> <td>Black</td> <td>黑</td> <td></td> </tr> <tr> <td></td> <td>Pin #</td> <td>Wire</td> <td></td> </tr> </table>	18	Blue/White	藍/白		17	Green/White	綠/白		16	Orange/White	橙/白		15	Red/White	紅/白		14	Brown/White	棕/白		13	Black/White	黑/白		12	Light Green	淡綠		11	Pink	粉紅		10	White	白		9	Gray	灰		8	Purple	紫		7	Blue	藍		6	Green	綠		5	Yellow	黃		4	Orange	橙		3	Red	紅		2	Brown	棕		1	Black	黑			Pin #	Wire		<p style="text-align: center;">△B DD-XXAMFM-QL8DXX</p> <p>XX: No. Of Pin</p> <p style="text-align: right;">XX: 01~99Meters 01: 01Meter 02: 02Meters : 99: 99Meters</p>
12	Light Green	淡綠																																																																																																																																																																																															
11	Pink	粉紅																																																																																																																																																																																															
10	White	白																																																																																																																																																																																															
9	Gray	灰																																																																																																																																																																																															
8	Purple	紫																																																																																																																																																																																															
7	Blue	藍																																																																																																																																																																																															
6	Green	綠																																																																																																																																																																																															
5	Yellow	黃																																																																																																																																																																																															
4	Orange	橙																																																																																																																																																																																															
3	Red	紅																																																																																																																																																																																															
2	Brown	棕																																																																																																																																																																																															
1	Black	黑																																																																																																																																																																																															
	Pin #	Wire																																																																																																																																																																																															
14	Brown/White	棕/白																																																																																																																																																																																															
13	Black/White	黑/白																																																																																																																																																																																															
12	Light Green	淡綠																																																																																																																																																																																															
11	Pink	粉紅																																																																																																																																																																																															
10	White	白																																																																																																																																																																																															
9	Gray	灰																																																																																																																																																																																															
8	Purple	紫																																																																																																																																																																																															
7	Blue	藍																																																																																																																																																																																															
6	Green	綠																																																																																																																																																																																															
5	Yellow	黃																																																																																																																																																																																															
4	Orange	橙																																																																																																																																																																																															
3	Red	紅																																																																																																																																																																																															
2	Brown	棕																																																																																																																																																																																															
1	Black	黑																																																																																																																																																																																															
	Pin #	Wire																																																																																																																																																																																															
18	Blue/White	藍/白																																																																																																																																																																																															
17	Green/White	綠/白																																																																																																																																																																																															
16	Orange/White	橙/白																																																																																																																																																																																															
15	Red/White	紅/白																																																																																																																																																																																															
14	Brown/White	棕/白																																																																																																																																																																																															
13	Black/White	黑/白																																																																																																																																																																																															
12	Light Green	淡綠																																																																																																																																																																																															
11	Pink	粉紅																																																																																																																																																																																															
10	White	白																																																																																																																																																																																															
9	Gray	灰																																																																																																																																																																																															
8	Purple	紫																																																																																																																																																																																															
7	Blue	藍																																																																																																																																																																																															
6	Green	綠																																																																																																																																																																																															
5	Yellow	黃																																																																																																																																																																																															
4	Orange	橙																																																																																																																																																																																															
3	Red	紅																																																																																																																																																																																															
2	Brown	棕																																																																																																																																																																																															
1	Black	黑																																																																																																																																																																																															
	Pin #	Wire																																																																																																																																																																																															
C																																																																																																																																																																																																	
B	Conn.	 <p style="text-align: center;">12P</p>	 <p style="text-align: center;">14P</p>	 <p style="text-align: center;">18P</p>																																																																																																																																																																																													
A	△B Pin Assignments Front View				<table border="1" style="width: 100%; border-collapse: collapse;"> <tr> <td style="width: 15%;">UNIT:mm</td> <td style="width: 15%;"></td> <td style="width: 15%;"></td> <td style="width: 15%;"></td> </tr> <tr> <td>TOLERANCE</td> <td>±0.5mm</td> <td></td> <td></td> </tr> </table>	UNIT:mm				TOLERANCE	±0.5mm			<table border="1" style="width: 100%; border-collapse: collapse;"> <tr> <td style="width: 15%;">TITLE</td> <td colspan="3">XLOK, D-5A, CABLE W/SR M, F, MOLDING, PUSH LOCK</td> </tr> <tr> <td>SCALE</td> <td>1:1</td> <td>SIZE</td> <td>A4</td> </tr> <tr> <td>REV.</td> <td>C</td> <td>WC-REV.</td> <td>A.2</td> </tr> <tr> <td></td> <td></td> <td>SHEET</td> <td>2 OF 2</td> </tr> <tr> <td></td> <td></td> <td colspan="2">◎: Inspection item</td> </tr> </table>	TITLE	XLOK, D-5A, CABLE W/SR M, F, MOLDING, PUSH LOCK			SCALE	1:1	SIZE	A4	REV.	C	WC-REV.	A.2			SHEET	2 OF 2			◎: Inspection item		<h2 style="margin: 0;">Amphenol LTW</h2> <p style="margin: 0;">安費諾亮泰企業股份有限公司</p>	<table border="1" style="width: 100%; border-collapse: collapse;"> <tr> <td style="width: 15%;">ITEM NO</td> <td style="width: 15%;">DRAWN BY</td> <td style="width: 15%;">DATE</td> </tr> <tr> <td></td> <td>Micky</td> <td>2014-12-24</td> </tr> <tr> <td>DWG NO</td> <td>CHECKED BY</td> <td>DATE</td> </tr> <tr> <td>DD-XXAMFM-QL8DXX △B</td> <td>Spring</td> <td>2014-12-24</td> </tr> <tr> <td>CUSTOMER</td> <td>APPROVED BY</td> <td>DATE</td> </tr> <tr> <td>ALTW</td> <td>Kevin</td> <td>2014-12-24</td> </tr> </table>	ITEM NO	DRAWN BY	DATE		Micky	2014-12-24	DWG NO	CHECKED BY	DATE	DD-XXAMFM-QL8DXX △B	Spring	2014-12-24	CUSTOMER	APPROVED BY	DATE	ALTW	Kevin	2014-12-24	<p style="font-size: small;">8 W10814-03-0001A2</p>																																																																																																																																										
UNIT:mm																																																																																																																																																																																																	
TOLERANCE	±0.5mm																																																																																																																																																																																																
TITLE	XLOK, D-5A, CABLE W/SR M, F, MOLDING, PUSH LOCK																																																																																																																																																																																																
SCALE	1:1	SIZE	A4																																																																																																																																																																																														
REV.	C	WC-REV.	A.2																																																																																																																																																																																														
		SHEET	2 OF 2																																																																																																																																																																																														
		◎: Inspection item																																																																																																																																																																																															
ITEM NO	DRAWN BY	DATE																																																																																																																																																																																															
	Micky	2014-12-24																																																																																																																																																																																															
DWG NO	CHECKED BY	DATE																																																																																																																																																																																															
DD-XXAMFM-QL8DXX △B	Spring	2014-12-24																																																																																																																																																																																															
CUSTOMER	APPROVED BY	DATE																																																																																																																																																																																															
ALTW	Kevin	2014-12-24																																																																																																																																																																																															