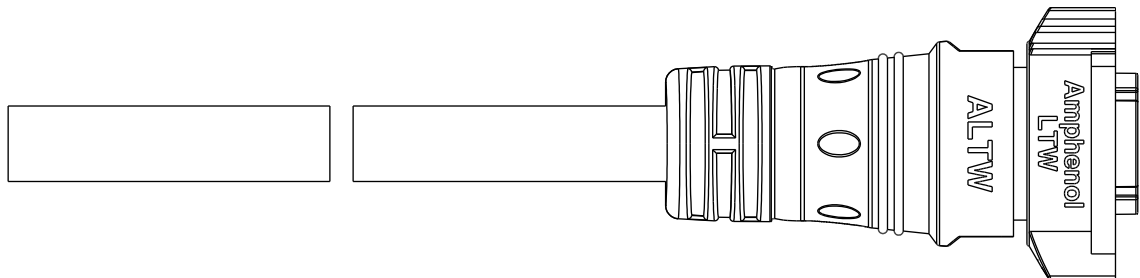
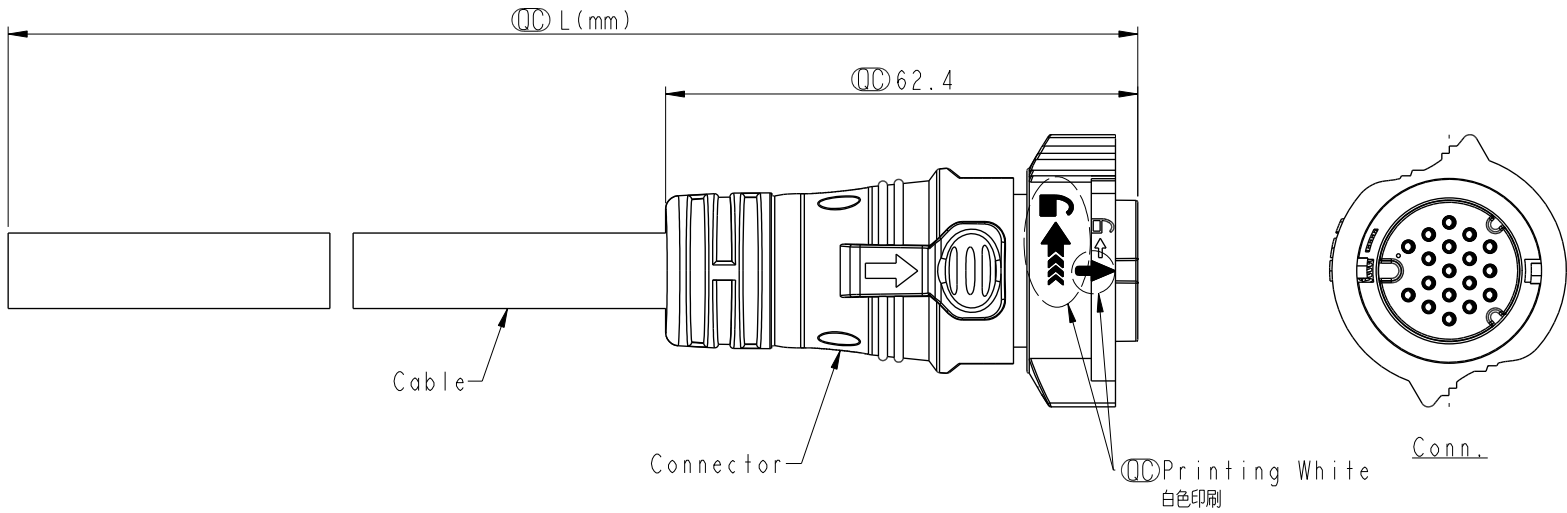


THIS DOCUMENT IS SUBJECT TO CHANGE WITHOUT NOTICE. IT IS CONFIDENTIAL AND A PROPERTY OF Amphenol LTW. DISCLOSURE TO THIRD PARTY HAS TO BE AUTHORIZED BY Amphenol LTW.

REV.	ECN NO.	DATE	SIGN	DESCRIPTION
B	C220554	2022/04/12	Vicky	X8
C	C230186	2023/02/13	Vicky	X1



- Note:
- \* RoHS Compliant
  - \*  $\varnothing$  Important dimension
  - \* Waterproof rate: IP68, mated 1m/24h
  - \* Connector
    - Housing: Thermoplastic, Black
    - Pin: Copper alloy, Gold plated
    - O-Ring: Rubber, Dark gray
    - Nut: Thermoplastic, Black
    - Outer mold: Thermoplastic, Black
  - \* Cable: UL21388, PVC Jacket, Black
  - \* Cable length tolerance: 1M: +50/-0 mm
    - 1M < L ≤ 3M: +100/-0 mm
    - 3M < L ≤ 5M: +150/-0 mm
    - 5M < L ≤ 10M: ±100 mm
    - 10M < L ≤ 20M: ±200 mm
    - 20M < L ≤ 30M: ±300 mm
    - 30M < L ≤ 99M: ±500 mm

UNIT: mm			TITLE XLOK, D-5A, CABLE W/SR F, F, MOLDING, PUSH LOCK	$\triangle$ B
TOLERANCE ±0.5mm	SCALE 1:1	SIZE A4	SHEET 1 OF 2	REV. C
	WC-REV. A.2	$\varnothing$ : Inspection item		

**Amphenol LTW**  
安費諾亮泰企業股份有限公司

ITEM NO	DRAWN BY Micky	DATE 2014-12-24
DWG NO DD-XXAFFM-QL8DXX $\triangle$ B	CHECKED BY Spring	DATE 2014-12-24
CUSTOMER ALTW	APPROVED BY Kevin	DATE 2014-12-24

THIS DOCUMENT IS SUBJECT TO CHANGE WITHOUT NOTICE. IT IS CONFIDENTIAL AND A PROPERTY OF AMPHENOL LTW. DISCLOSURE TO THIRD PARTY HAS TO BE AUTHORIZED BY AMPHENOL LTW.

1 2 3 4 5 6 7 8

18P	10.0	20	DD-18AFFM-QL8DXX
14P	8.5		DD-14AFFM-QL8DXX
Contacts	Cable OD	AWG	Item No.

F

E

D

C

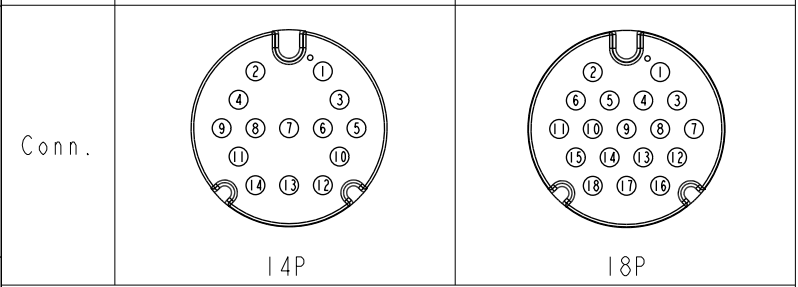
Pin Out	14	Brown/White	棕/白	18	Blue/White	藍/白
	13	Black/White	黑/白	17	Green/White	綠/白
	12	Light Green	淡綠	16	Orange/White	橙/白
	11	Pink	粉紅	15	Red/White	紅/白
	10	White	白	14	Brown/White	棕/白
	9	Gray	灰	13	Black/White	黑/白
	8	Purple	紫	12	Light Green	淡綠
	7	Blue	藍	11	Pink	粉紅
	6	Green	綠	10	White	白
	5	Yellow	黃	9	Gray	灰
	4	Orange	橙	8	Purple	紫
	3	Red	紅	7	Blue	藍
	2	Brown	棕	6	Green	綠
	1	Black	黑	5	Yellow	黃
				4	Orange	橙
				3	Red	紅
				2	Brown	棕
				1	Black	黑
	Pin #	Wire		Pin #	Wire	

$\triangle B$   
DD-XXAFFM-QL8DXX

XX: No. Of Pin

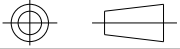
XX: 01~99Meters  
 01: 01Meter  
 02: 02Meters  
 :  
 99: 99Meters

B



$\triangle B$  Pin Assignments Front View

A

UNIT:mm		TITLE	XLOK, D-5A, CABLE W/SR F, F, MOLDING, PUSH LOCK
TOLERANCE	$\pm 0.5mm$	SCALE	1:1
		SIZE	A4
		SHEET	2 OF 2
		REV.	C
		WC-REV.	A.2
		QC	Inspection item

**Amphenol LTW**  
安費諾亮泰企業股份有限公司

ITEM NO	DD-XXAFFM-QL8DXX $\triangle B$	DRAWN BY	Micky	DATE	2014-12-24
DWG NO	DD-XXAFFM-QL8DXX $\triangle B$	CHECKED BY	Spring	DATE	2014-12-24
CUSTOMER	ALTW	APPROVED BY	Kevin	DATE	2014-12-24

1 2 3 4 5 6 7 8 W10814-03-2001A2