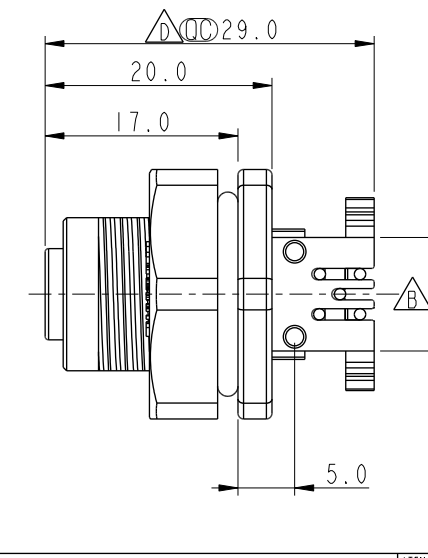
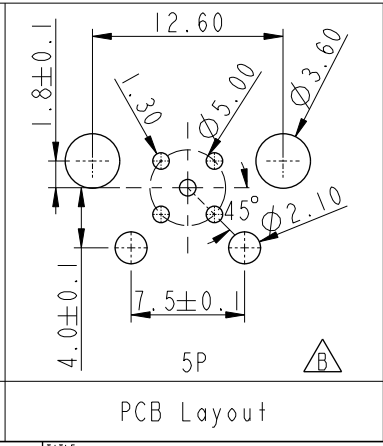
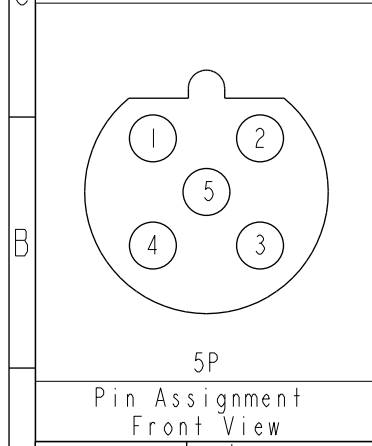
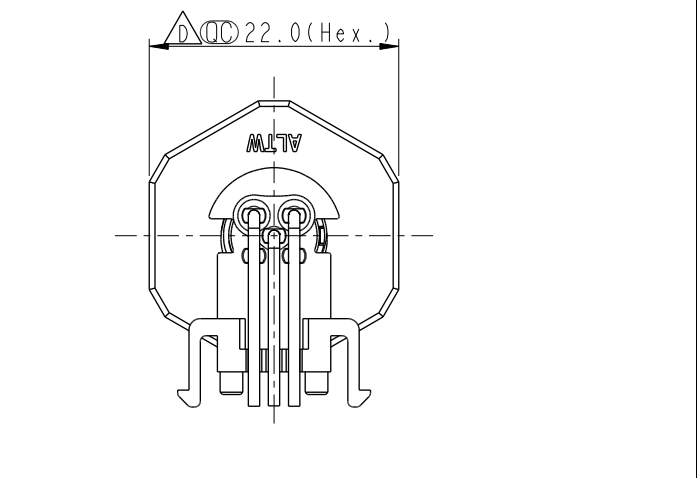
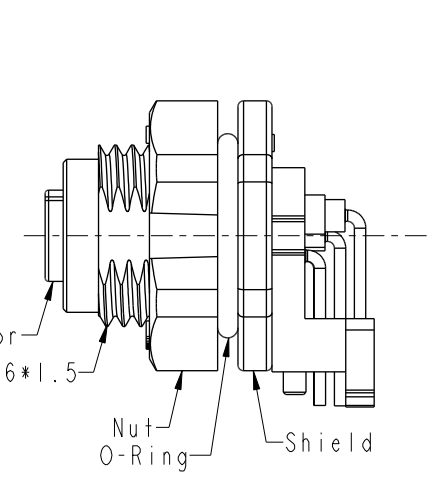
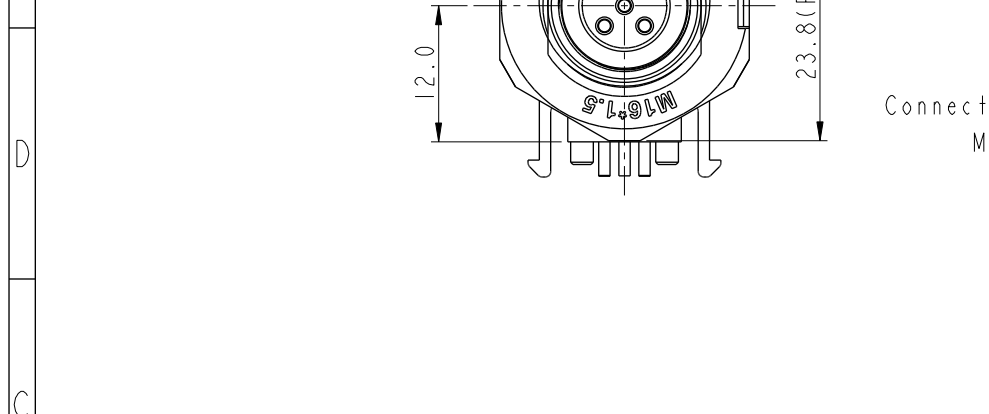
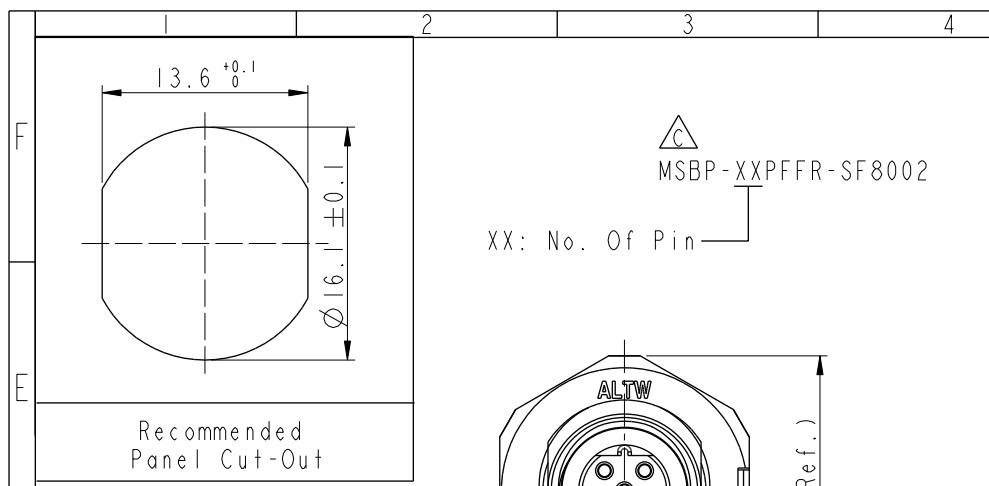


THIS DOCUMENT IS SUBJECT TO CHANGE WITHOUT NOTICE. IT IS CONFIDENTIAL AND A PROPERTY OF Amphenol LTW. DISCLOSURE TO THIRD PARTY HAS TO BE AUTHORIZED BY Amphenol LTW.

REV.	ECN NO.	DATE	SIGN	DESCRIPTION
D	C210309	2021/03/11	Ruru	$\triangle D$ X4
E	C221973	2022/12/26	Ruru	$\triangle E$ XI
F	C231034	2023/08/10	Ruru	$\triangle F$ XI



- \* RoHS Compliant
- \*  $\text{CC}$  Important dimension
- \* Waterproof rate: IP68, unmated 1m/24h
- \*  $\triangle F$  IP69K, mated
- \* Connector
- \* Housing: Thermoplastic, Black
- \* Pin: Copper alloy, Gold plated
- \* O-Ring: Rubber, Gray
- \* Shield: Thermoplastic, Black
- \* Nut: Thermoplastic, Black
- \* O-Ring: Rubber, Black
- \* For panel thickness max: 4.0mm
- \* For pcb thickness max: 1.6mm
- \* Nut is packed separately in pe bag

UNIT: mm		TITLE	N SEN, M12 B -PLASTIC, SCREW RECEPTACLE, F, F, PCB R $\triangle C$	
TOLERANCE		SCALE	1:1	SIZE A4
.X $\pm 0.25$		REV.	F	WC-REV. A.1
.XX $\pm 0.1$		$\text{CC}$ : Inspection item		
.XXX $\pm 0.05$				
ANGLES $\pm 1^\circ$				

**Amphenol LTW**  
安費諾亮泰企業股份有限公司

ITEM NO	MSBP-XXPFFR-SF8002	DWG NO	ALTW	DRAWN BY	Nan_Su	DATE	2019-08-14
CUSTOMER		CHECKED BY	Jerry	CHECKED BY	Feng_Li	DATE	2019-08-14
		APPROVED BY		APPROVED BY	Jerry	DATE	2019-08-14