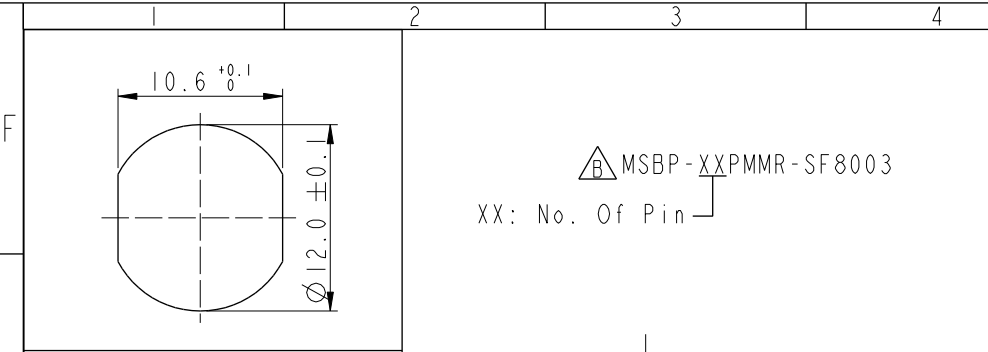


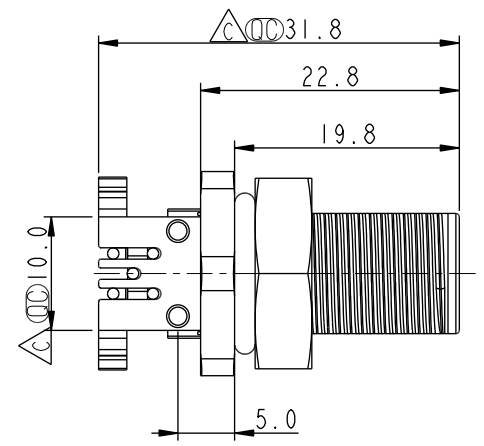
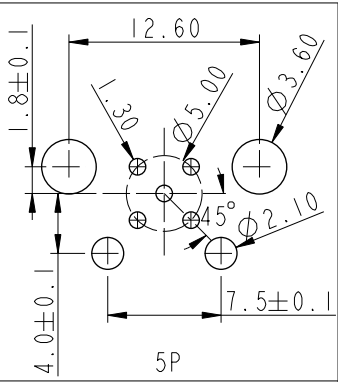
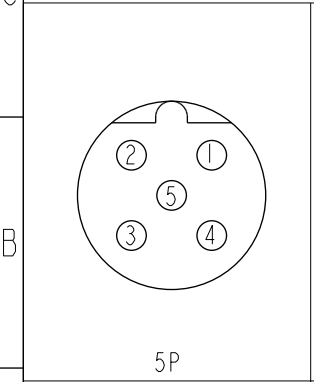
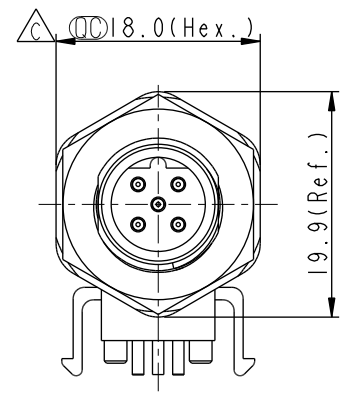
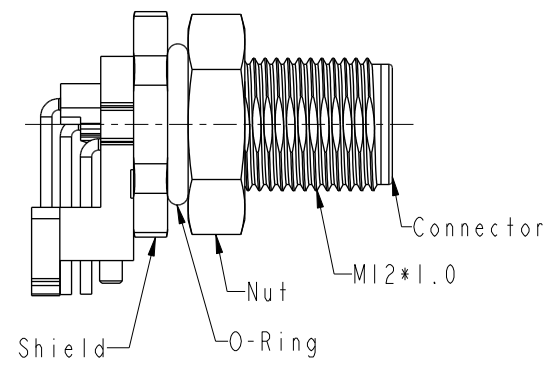
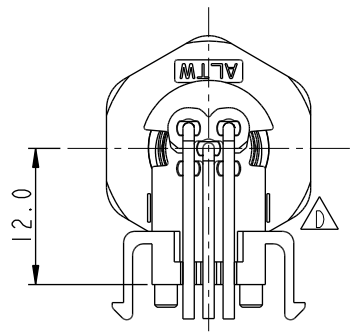
THIS DOCUMENT IS SUBJECT TO CHANGE WITHOUT NOTICE. IT IS CONFIDENTIAL AND A PROPERTY OF Amphenol LTW. DISCLOSURE TO THIRD PARTY HAS TO BE AUTHORIZED BY Amphenol LTW.

REV.	ECN NO.	DATE	SIGN	DESCRIPTION
D	C220538	2022/03/29	Arvin Chan	$\triangle D$ XI
E	C221973	2022/12/26	Ruru	$\triangle E$ XI
F	C231034	2023/08/10	Ruru	$\triangle F$ XI



Recommended Panel Cut-Out

$\triangle B$ MSBP-XXPMMR-SF8003
XX: No. Of Pin



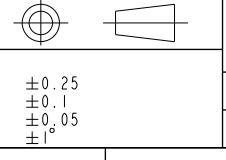
- $\triangle C$ Note:
- * RoHS Compliant
 - * CC Important dimension
 - * $\triangle E$ Waterproof rate: IP68, unmated 1m/24h
 $\triangle F$ IP69K, mated
 - * Connector
 - Housing: Thermoplastic, Black
 - Pin: Copper alloy, Gold plated
 - Shield: Thermoplastic, Black
 - * Nut: Thermoplastic, Black
 - * O-Ring: Rubber, Gray
 - * For panel thickness max: 4.0mm
 - * For pcb thickness max: 1.6mm
 - * Nut is packed separately in pe bag

5P
Pin Assignment Front View

5P
PCB Layout

UNIT:mm

TOLERANCE	
.X	±0.25
.XX	±0.1
.XXX	±0.05
ANGLES	±1°



TITLE N SEN, M12 B -PLASTIC, SCREW RECEPTACLE, M, M, PCB R $\triangle B \triangle C$			
SCALE 3:2	SIZE A4	SHEET 1 OF 1	
REV. F	WC-REV. A.1	CC : Inspection item	

Amphenol LTW
安費諾亮泰企業股份有限公司

ITEM NO	DRAWN BY Yulong_wang	DATE 2016-12-11
DWG NO $\triangle B$ MSBP-XXPMMR-SF8003	CHECKED BY Jinhai	DATE 2016-12-11
CUSTOMER ALTW	APPROVED BY Jerry	DATE 2016-12-11

DATE 2016-12-11
DATE 2016-12-11
DATE 2016-12-11