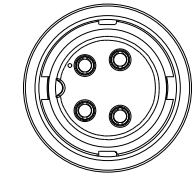
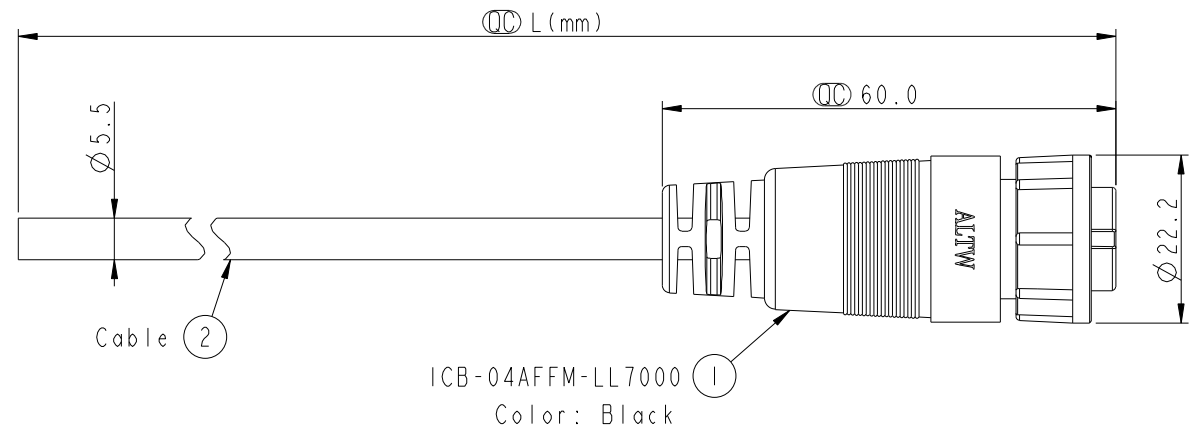


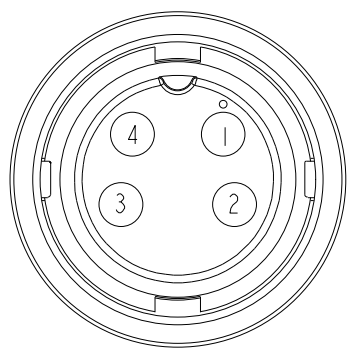
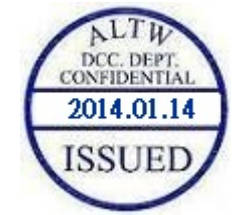
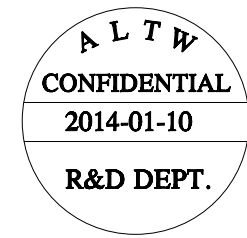
THIS DOCUMENT IS SUBJECT TO CHANGE WITHOUT NOTICE. IT IS CONFIDENTIAL AND A PROPERTY OF Amphenol LTW. DISCLOSURE TO THIRD PARTY HAS TO BE AUTHORIZED BY Amphenol LTW.

1	2	3	4	5	6	7	8
REV.	ECN NO.	DATE	SIGN	DESCRIPTION			



Conn.

ICB-04AFFM-LL7000
Color: Black



Pin Assignments
Front View

4	White	白
3	Black	黑
2	Blue	藍
1	Brown	棕
Conn.	Wire Color	
Pin Out		

ICB-04AFFM-LL7A^{XX}

- XX : 01~99Meters
- 01 : 01Meter
- 02 : 02Meters
- :
- :
- 99 : 99Meters

Cable Length(L): 01~99Meters

Note:

- * Ⓞ Important Dimension To Check.
- * Waterproof Rate: IP67
- * Housing: Nylon+GF, Black.
- * Female Pin: Copper Alloy, Gold Plated.
- * Lock Nut: Nylon+GF, Black.
- * O-Ring: Silicon, Gray
- * Cable: UL2464 20AWG*4C+D+AI/My
PVC Jacket UV Resistant, OD=5.5, Black.
- * Cable Length Tolerance: 01M: 40mm
02M~05M: ±60mm
06M~10M: ±100mm
11M~30M: ±200mm
31M~99M: ±500mm

UNIT:mm		
TOLERANCE	±0.5	

TITLE MIDDLE CNC PIN CABLE LOCK 4P F CONN F PIN			
SCALE 1:1	SIZE A4	SHEET 1 OF 1	
REV. A	WC-REV. A.2	Ⓞ : Inspection item	

Amphenol LTW
安費諾亮泰企業股份有限公司

ITEM NO	DRAWN BY Jiazhen_li	DATE 2014-01-10
DWG NO ICB-04AFFM-LL7A ^{XX}	CHECKED BY Ruru	DATE 2014-01-10
CUSTOMER ALTW	APPROVED BY Jerry	DATE 2014-01-10