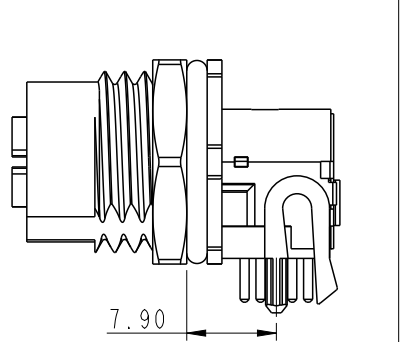
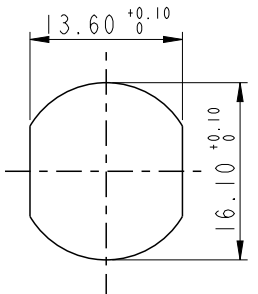
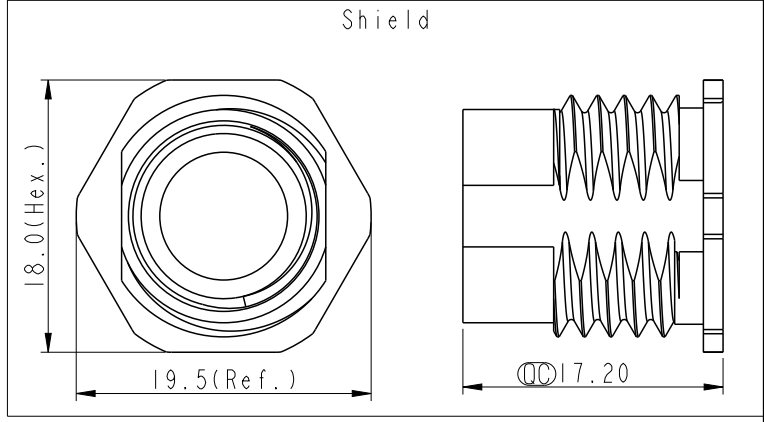
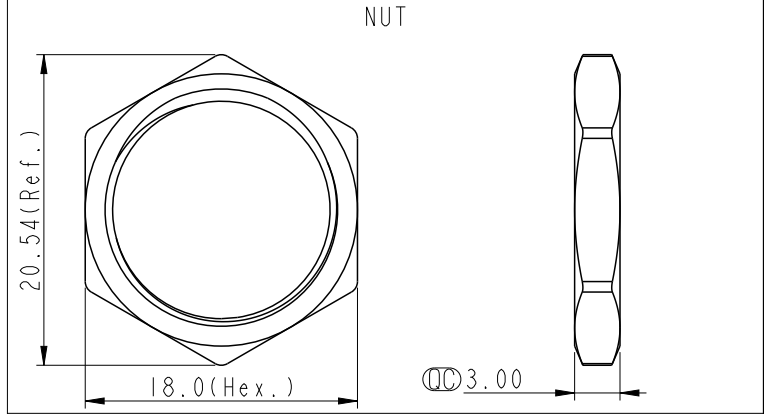
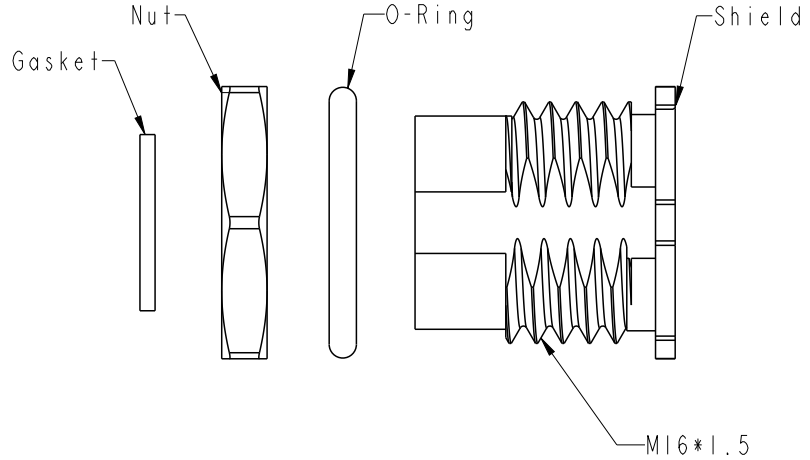


REV.	ECN NO.	DATE	SIGN	DESCRIPTION
A	-	2024/07/09	Yunchen	Rev.01 to Rev.A



- Note
- * \varnothing Important Dimension To Check
 - * Shield: Metal
 - * Nut: Metal
 - * O-Ring: Silicon, BK
 - * Gasket: Silicon, BK
 - * For panel thickness: 0.6~5.0mm
 - * Nut is packed separately in PE bag

UNIT: mm		
TOLERANCE	.X ±0.25	
	.XX ±0.1	
	.XXX ±0.05	
ANGLES	±1°	

TITLE ACC, SEN, METAL			
SCALE 2:1	SIZE A4	SHEET 1 OF 1	
REV. A	WC-REV. .0	\varnothing : Inspection item	

Amphenol LTW
安費諾亮泰企業股份有限公司

ITEM NO APPM-AAFA012-008	DRAWN BY Yunchen	DATE 2024/07/09
DWG NO APPM-AAFA012-008	CHECKED BY Aric	DATE 2024/07/09
CUSTOMER ALTW	APPROVED BY Fred	DATE 2024/07/09

THIS DOCUMENT IS SUBJECT TO CHANGE WITHOUT NOTICE. IT IS CONFIDENTIAL AND A PROPERTY OF AMPHENOL LTW. DISCLOSURE TO THIRD PARTY HAS TO BE AUTHORIZED BY AMPHENOL LTW.