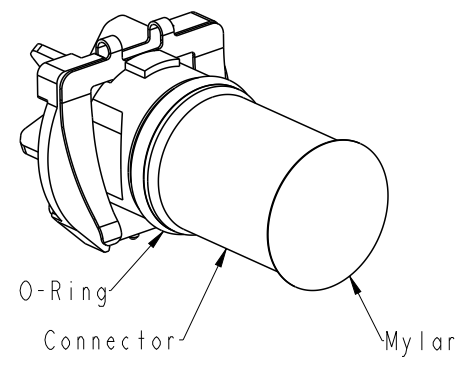
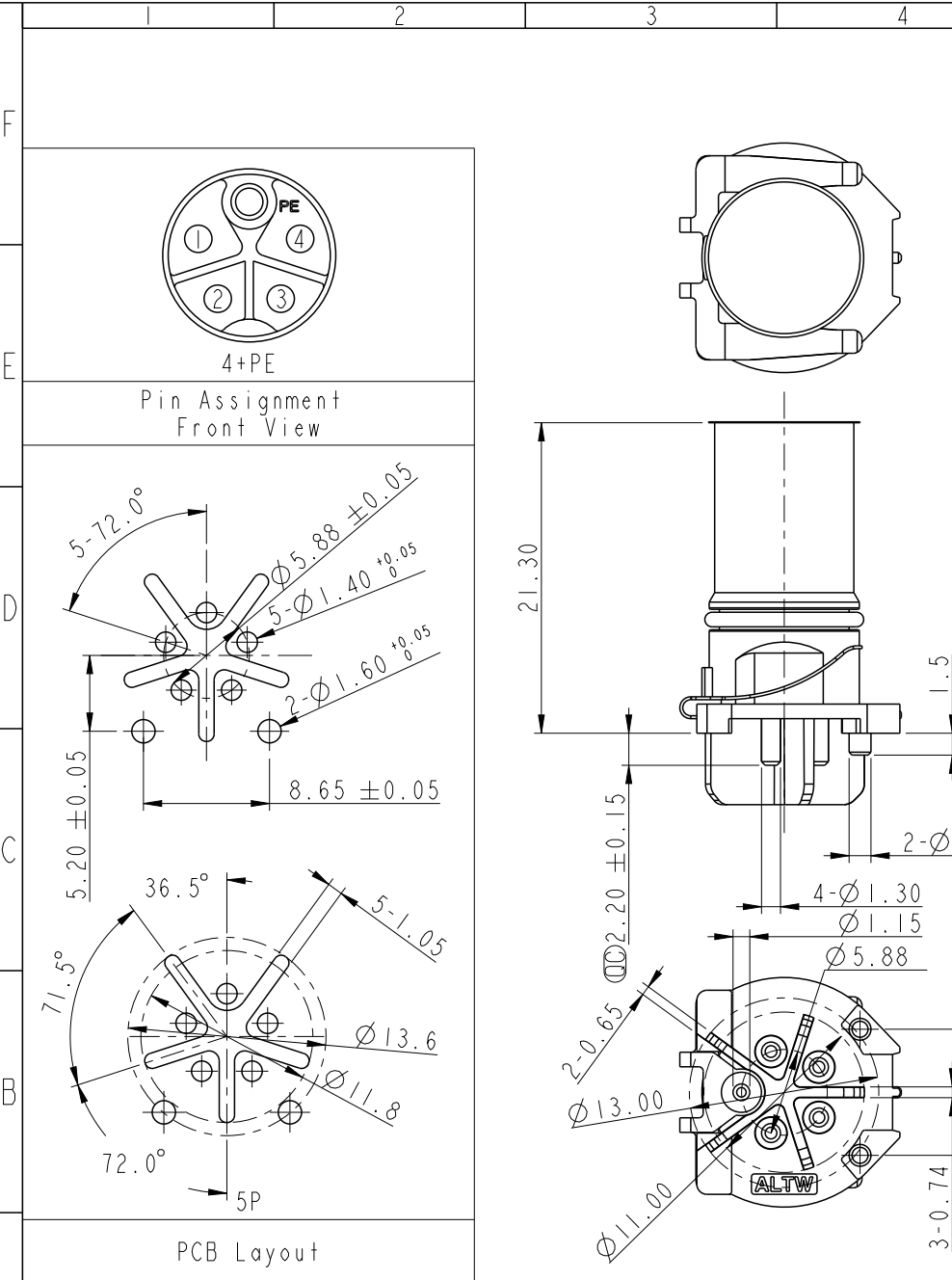


REV.	ECN NO.	DATE	SIGN	DESCRIPTION
A		2024/06/28	Yunchen	Rev.01 to Rev.A

THIS DOCUMENT IS SUBJECT TO CHANGE WITHOUT NOTICE. IT IS CONFIDENTIAL AND A PROPERTY OF AMPHENOL LTW. DISCLOSURE TO THIRD PARTY HAS TO BE AUTHORIZED BY AMPHENOL LTW.



MSKS-XXPMEP-EE0001
XX: No. Of Pin

Note:
 * RoHS Compliant
 * Ⓞ Important Dimension
 * Waterproof Rate: Non-Waterproof
 * Connector
 Housing: Thermoplastic, Black
 Pin: Copper alloy, Gold plated
 O-Ring: Rubber, Gray
 Spring: Metal
 * Mylar: PI, Amber

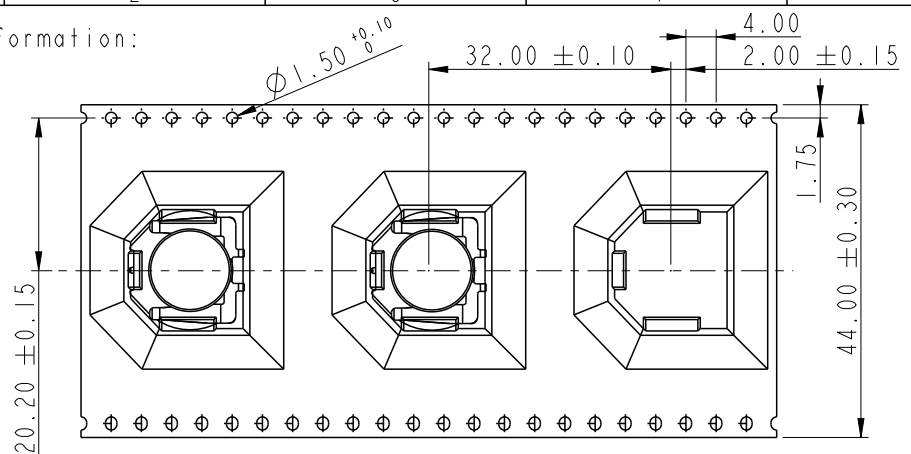
UNIT: mm			TITLE N SEN, M12 K-SHLD, NONE RECEPTACLE, M, M PWR+F GND, PCB S
TOLERANCE .X ±0.25 .XX ±0.1 .XXX ±0.05 ANGLES ±1°	SCALE 2:1	SIZE A4	SHEET 1 OF 3
REV. A	WC-REV. A.2	Ⓞ : Inspection item	

Amphenol LTW
安費諾亮泰企業股份有限公司

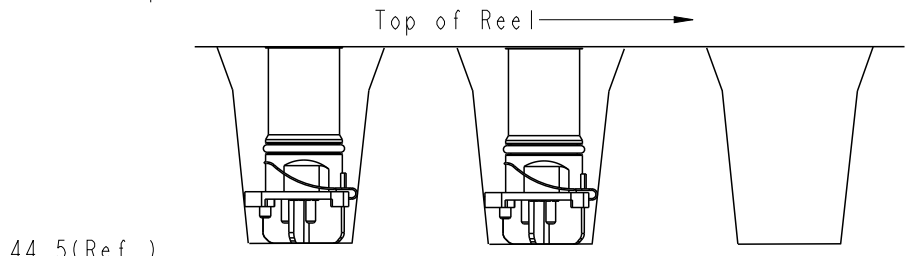
ITEM NO.	DRAWN BY Yunchen	DATE 2024/06/28
DWG NO. MSKS-XXPMEP-EE0001	CHECKED BY Aric	DATE 2024/06/28
CUSTOMER ALTW	APPROVED BY Fred	DATE 2024/06/28

THIS DOCUMENT IS SUBJECT TO CHANGE WITHOUT NOTICE. IT IS CONFIDENTIAL AND A PROPERTY OF Amphenol LTW. DISCLOSURE TO THIRD PARTY HAS TO BE AUTHORIZED BY Amphenol LTW.

Tape & Reel Information:

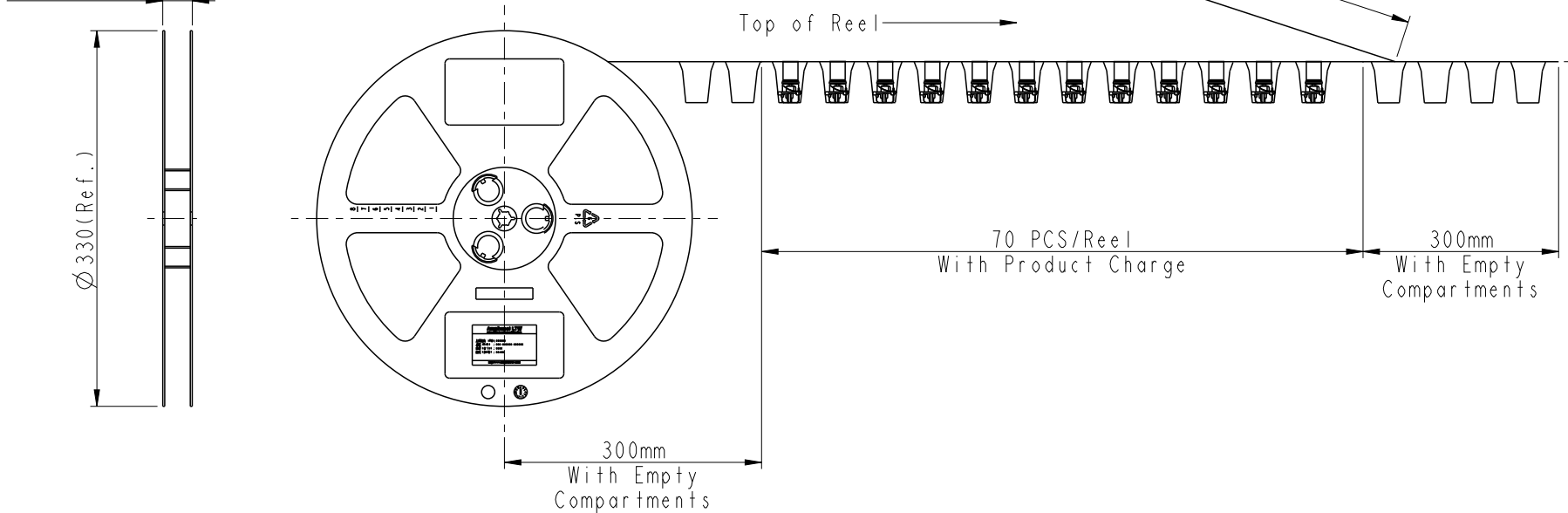


Note:
 * Connector Orientation Follow Drawing



Wide Cover Tape Around
 Out Periphery 1 Turn

Peeling Strength 0.1~1.3N Max.
 (300±10mm/min)
 Peeling Angle
 165~180°



UNIT: mm		
TOLERANCE		
.X	±0.25	
.XX	±0.1	
.XXX	±0.05	
ANGLES	±1°	

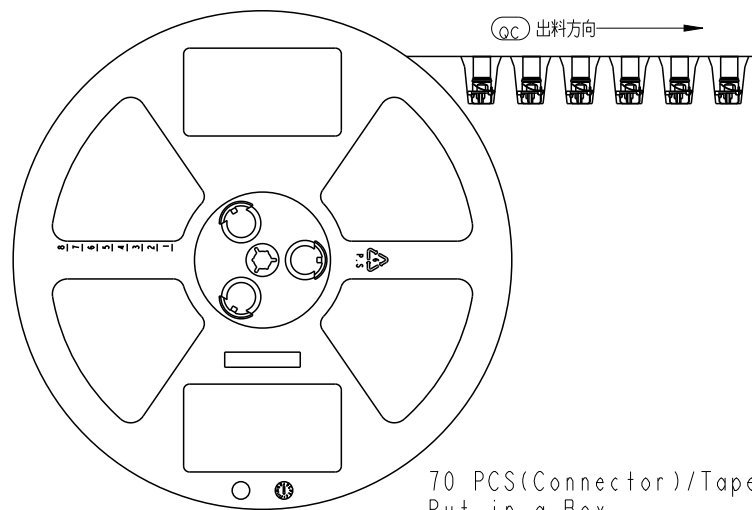
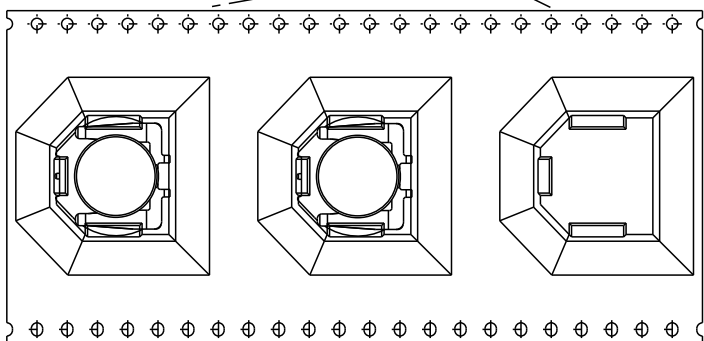
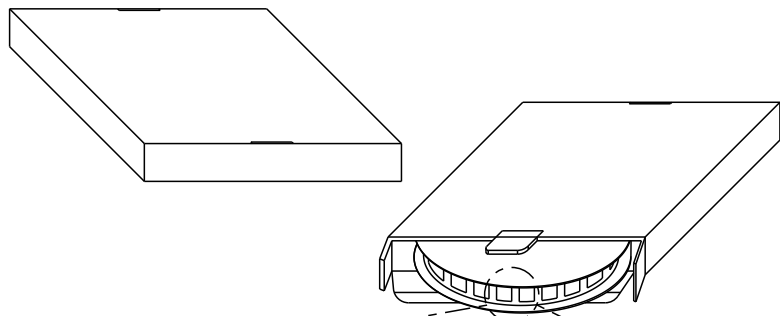
TITLE N SEN, M12 K-SHLD, NONE RECEPTACLE, M, M PWR+F GND, PCB S			
SCALE 1:1	SIZE A4	SHEET 2 OF 3	
REV. A	WC-REV. A.2	Inspection item	

Amphenol LTW
 安費諾亮泰企業股份有限公司

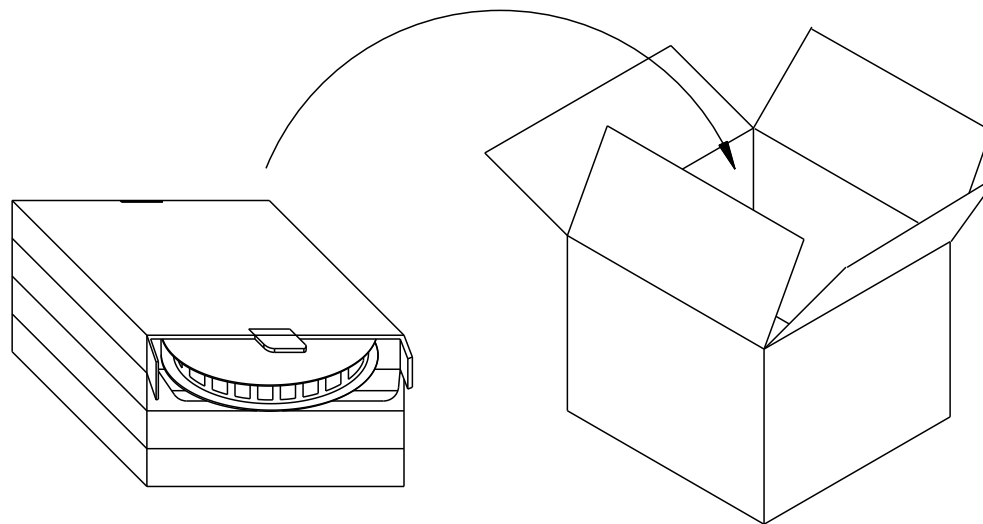
ITEM NO	DRAWN BY Yunchen	DATE 2024/06/28
DWG NO MSKS-XXPMEP-EE0001	CHECKED BY Aric	DATE 2024/06/28
CUSTOMER ALTW	APPROVED BY Fred	DATE 2024/06/28

THIS DOCUMENT IS SUBJECT TO CHANGE WITHOUT NOTICE. IT IS CONFIDENTIAL AND A PROPERTY OF Amphenol LTW. DISCLOSURE TO THIRD PARTY HAS TO BE AUTHORIZED BY Amphenol LTW.

Package:

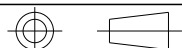


70 PCS(Connector)/Tape&Reel,
Put in a Box



One Carton can put in the 4PCS Box
(280 PCS/Carton)

UNIT:mm



TOLERANCE
.X ±0.25
.XX ±0.1
.XXX ±0.05
ANGLES ±1°

TITLE N SEN, M12 K-SHLD, NONE RECEPTACLE, M, M PWR+F GND, PCB S			
SCALE 1:1	SIZE A4	SHEET 3 OF 3	
REV. A	WC-REV. A.2	QC: Inspection item	

Amphenol LTW
安費諾亮泰企業股份有限公司

ITEM NO	DRAWN BY Yunchen	DATE 2024/06/28
DWG NO MSKS-XXPMEP-EE0001	CHECKED BY Aric	DATE 2024/06/28
CUSTOMER ALTW	APPROVED BY Fred	DATE 2024/06/28