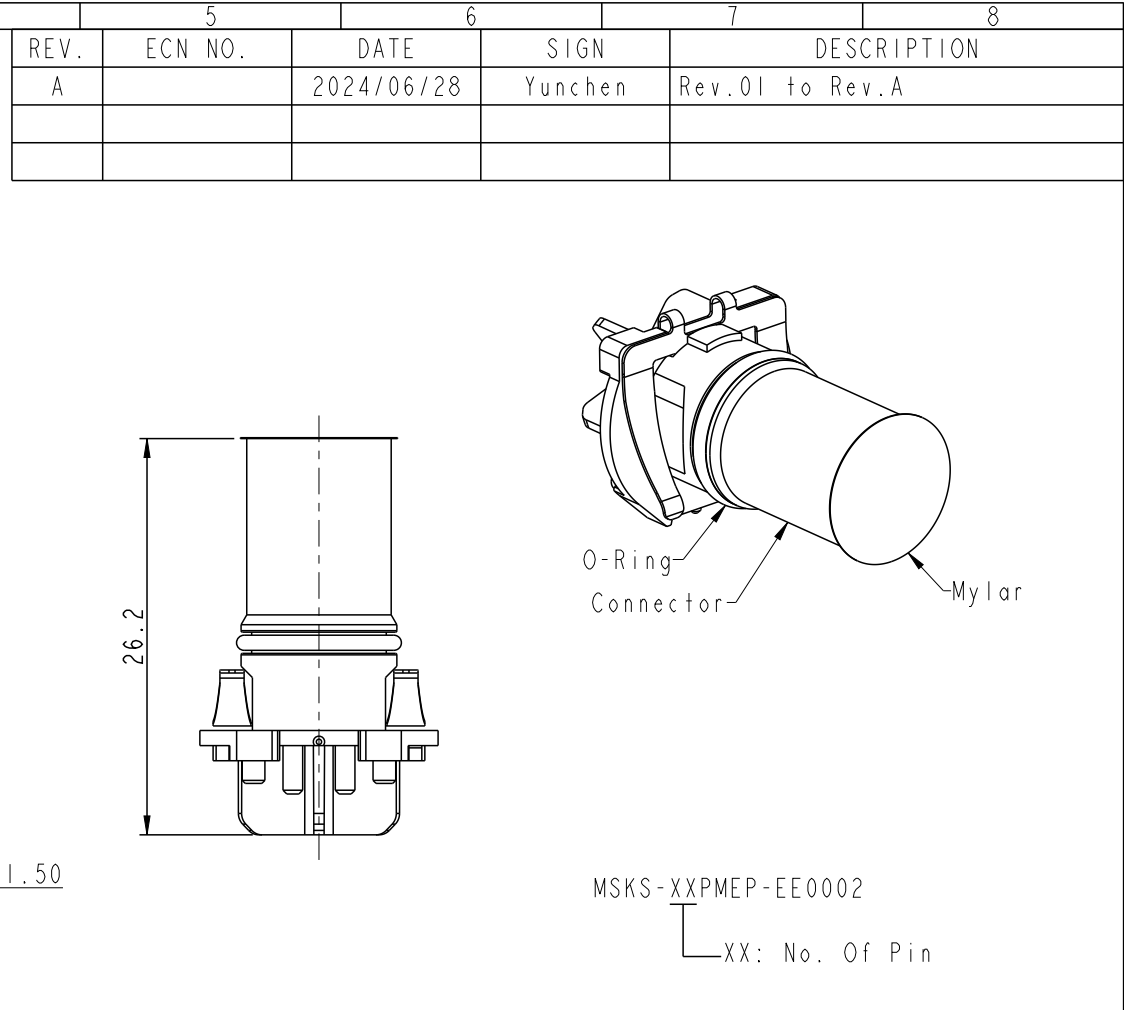
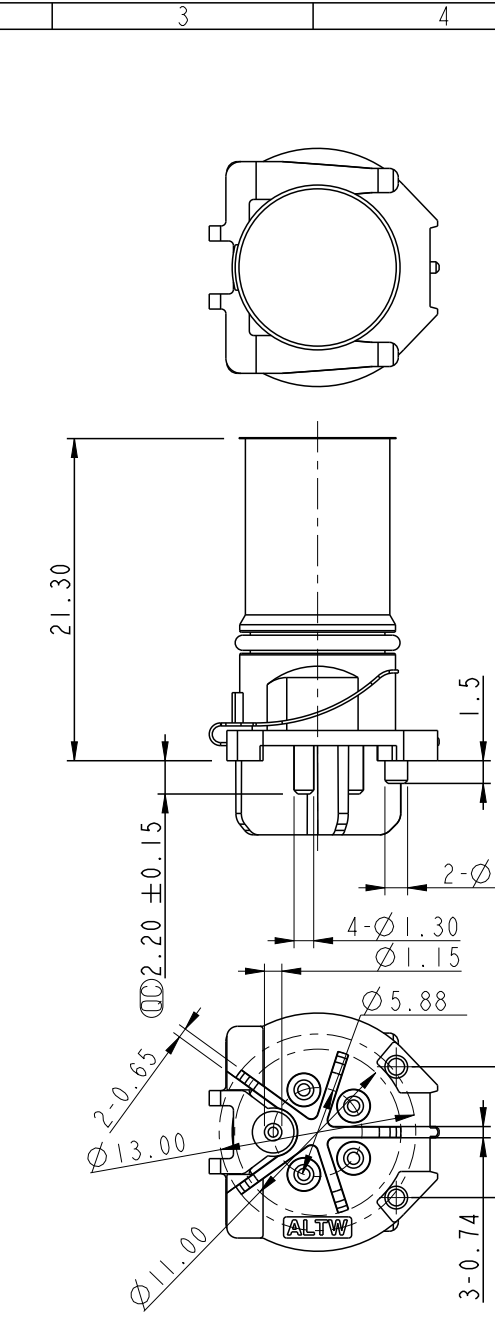
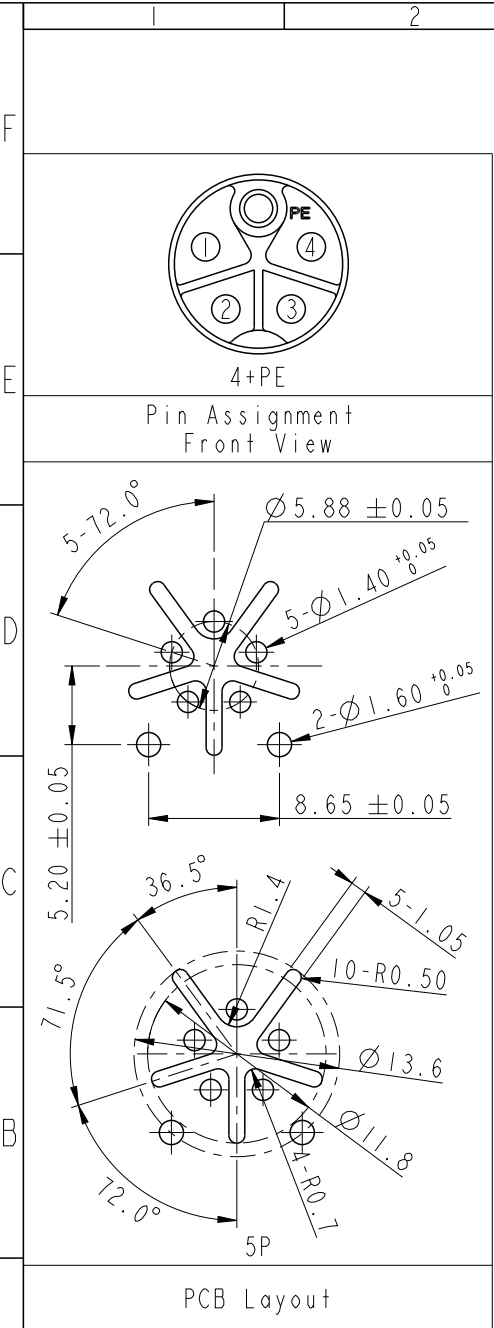


REV.	ECN NO.	DATE	SIGN	DESCRIPTION
A		2024/06/28	Yunchen	Rev.01 to Rev.A

THIS DOCUMENT IS SUBJECT TO CHANGE WITHOUT NOTICE. IT IS CONFIDENTIAL AND A PROPERTY OF AMPHENOL LTW. DISCLOSURE TO THIRD PARTY HAS TO BE AUTHORIZED BY AMPHENOL LTW.



Note:  
 \* RoHS Compliant  
 \*  $\varnothing$  Important Dimension  
 \* Waterproof Rate: Non-Waterproof  
 \* Connector  
 Housing: Thermoplastic, Black  
 Pin: Copper alloy, Gold plated  
 O-Ring: Rubber, Gray  
 Spring: Metal  
 \* Mylar: PI, Amber

UNIT: mm		
TOLERANCE	.X ±0.25	
.XX ±0.1		
.XXX ±0.05		
ANGLES	±1°	

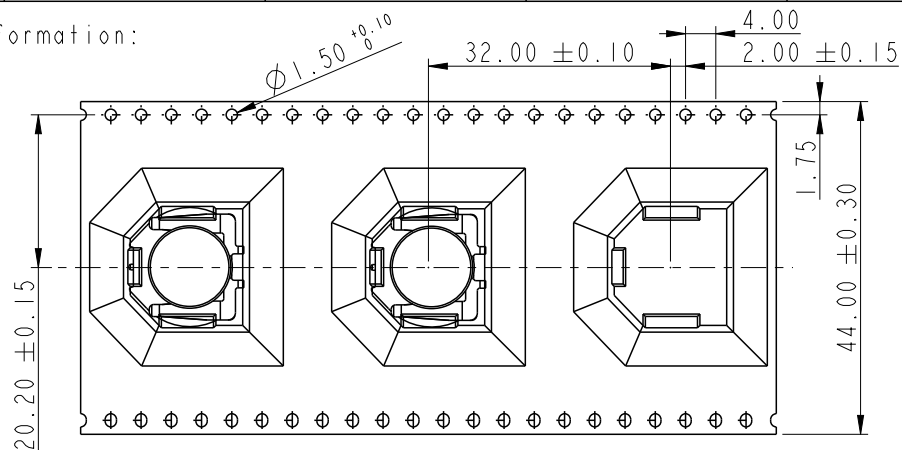
TITLE N SEN, M12 K-SHLD, NONE RECEPTACLE, M, M PWR+F GND, PCB S			
SCALE 2:1	SIZE A4	SHEET 1 OF 3	
REV. A	WC-REV. A.2	$\varnothing$ : Inspection item	

**Amphenol LTW**  
 安費諾亮泰企業股份有限公司

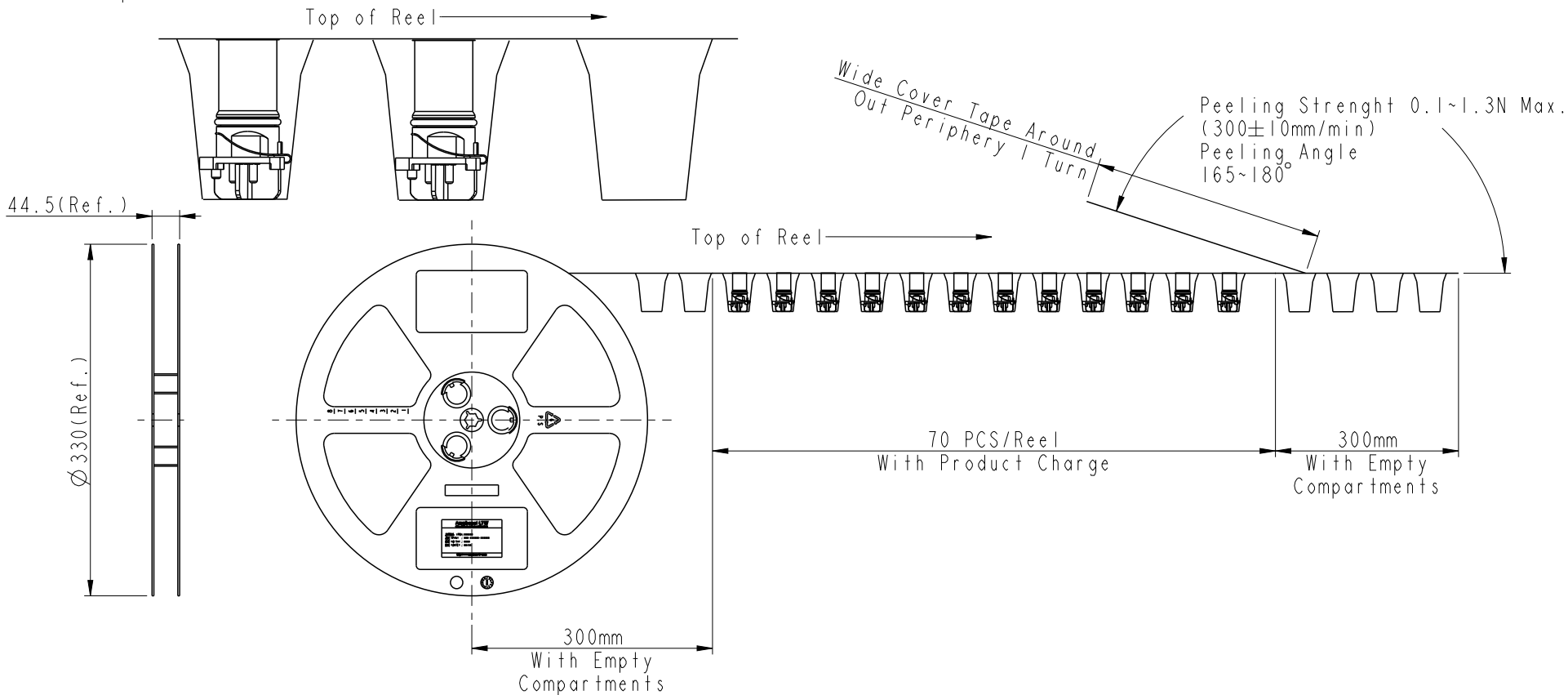
ITEM NO.	DRAWN BY Yunchen	DATE 2024/06/28
DWG NO. MSKS-XXPMEP-EE0002	CHECKED BY Aric	DATE 2024/06/28
CUSTOMER ALTW	APPROVED BY Fred	DATE 2024/06/28

THIS DOCUMENT IS SUBJECT TO CHANGE WITHOUT NOTICE. IT IS CONFIDENTIAL AND A PROPERTY OF Amphenol LTW. DISCLOSURE TO THIRD PARTY HAS TO BE AUTHORIZED BY Amphenol LTW.

Tape & Reel Information:



Note:  
\* Connector Orientation Follow Drawing



UNIT: mm		
TOLERANCE	.X ±0.25	
.XX ±0.1		
.XXX ±0.05		
ANGLES	±1°	

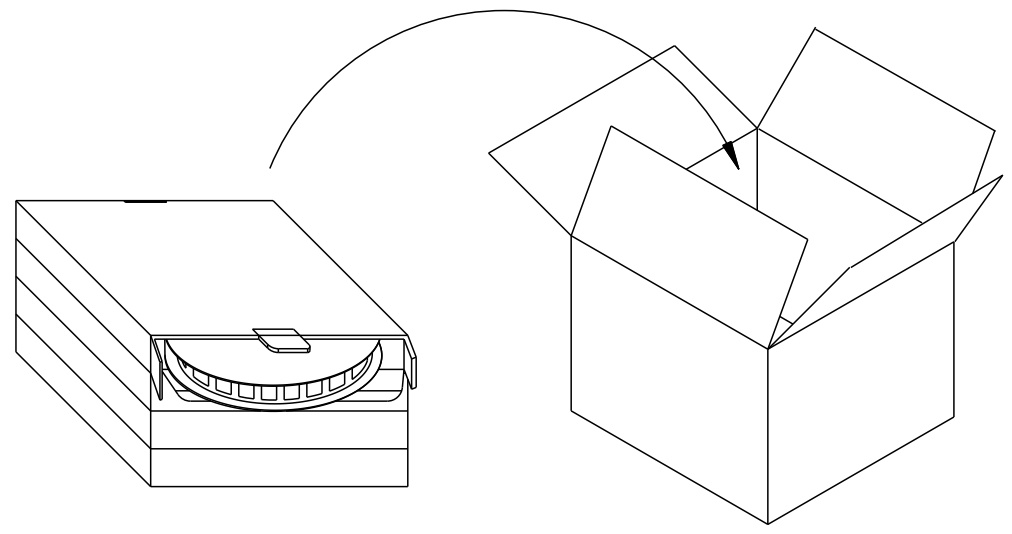
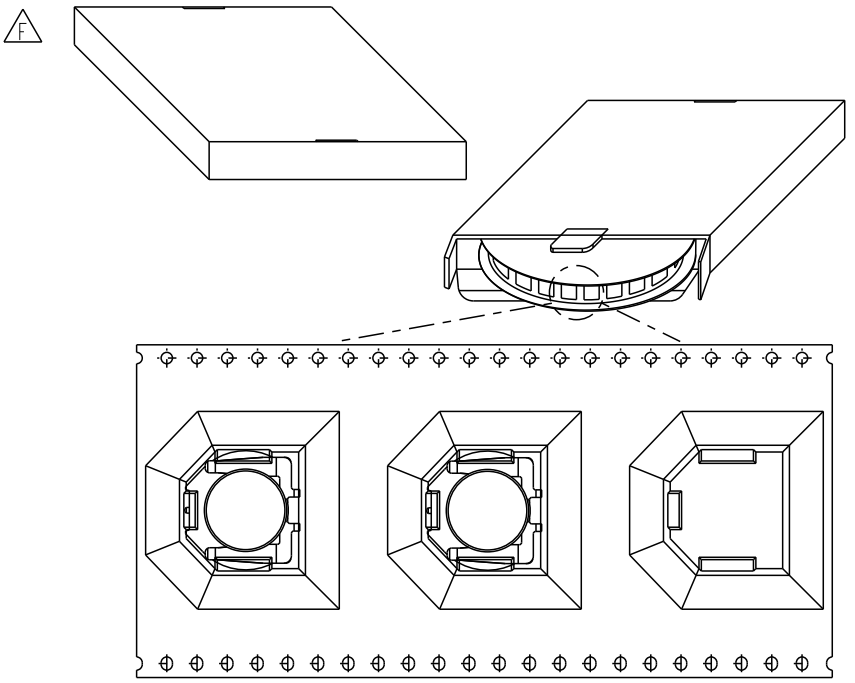
TITLE N SEN, M12 K-SHLD, NONE RECEPTACLE, M, M PWR+F GND, PCB S			
SCALE 1:1	SIZE A4	SHEET 2 OF 3	
REV. A	WC-REV. A.2	Inspection item	

**Amphenol LTW**  
安費諾亮泰企業股份有限公司

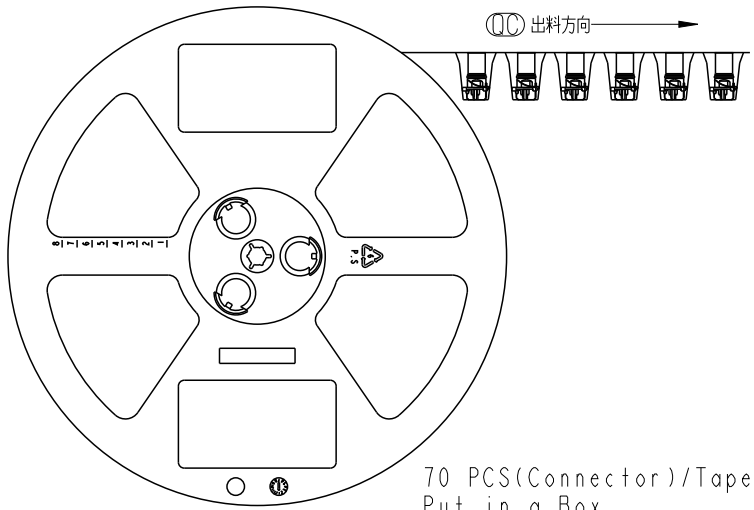
ITEM NO	DRAWN BY Yunchen	DATE 2024/06/28
DWG NO MSKS-XXPMEP-EE0002	CHECKED BY Aric	DATE 2024/06/28
CUSTOMER ALTW	APPROVED BY Fred	DATE 2024/06/28

THIS DOCUMENT IS SUBJECT TO CHANGE WITHOUT NOTICE. IT IS CONFIDENTIAL AND A PROPERTY OF Amphenol LTW. DISCLOSURE TO THIRD PARTY HAS TO BE AUTHORIZED BY Amphenol LTW.

Package:



One Carton can put in the 4PCS Box  
(280 PCS/Carton)



70 PCS(Connector)/Tape&Reel,  
Put in a Box

UNIT: mm		
TOLERANCE	.X	±0.25
	.XX	±0.1
	.XXX	±0.05
ANGLES		±1°

TITLE N SEN, M12 K-SHLD, NONE RECEPTACLE, M, M PWR+F GND, PCB S			
SCALE	1:1	SIZE	A4
		SHEET	3 OF 3
REV.	A	WC-REV.	A.2
			Inspection item

**Amphenol LTW**  
安費諾亮泰企業股份有限公司

ITEM NO	
DWG NO	MSKS-XXPMEP-EE0002
CUSTOMER	ALTW

DRAWN BY	Yunchen
CHECKED BY	Aric
APPROVED BY	Fred

DATE	2024/06/28
DATE	2024/06/28
DATE	2024/06/28