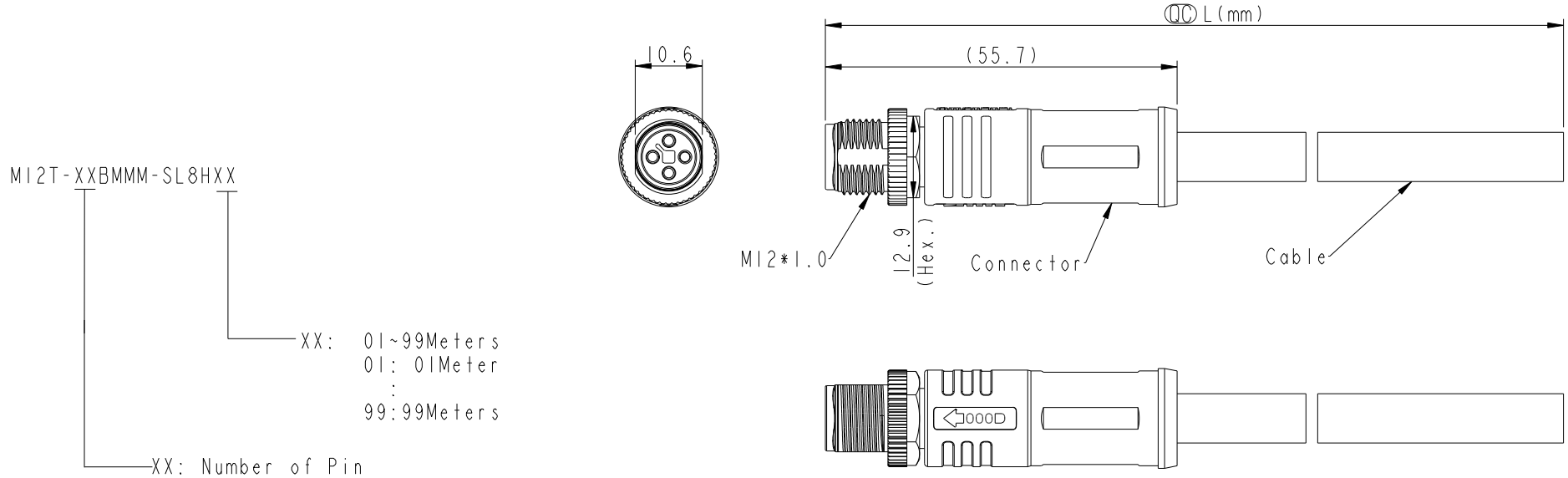


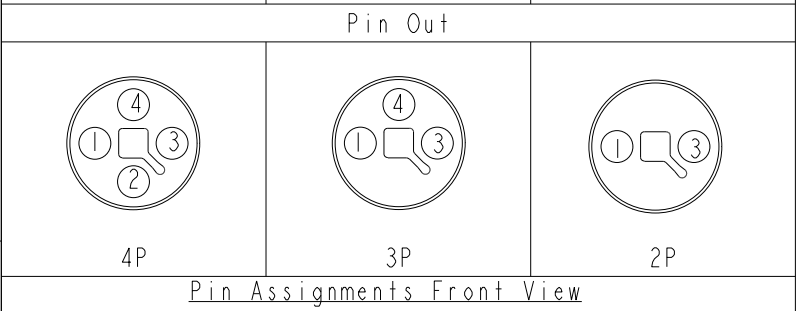
THIS DOCUMENT IS SUBJECT TO CHANGE WITHOUT NOTICE. IT IS CONFIDENTIAL AND A PROPERTY OF Amphenol LTW. DISCLOSURE TO THIRD PARTY HAS TO BE AUTHORIZED BY Amphenol LTW.

REV.	ECN NO.	DATE	SIGN	DESCRIPTION
A		2024/07/23	Mingxin Gao	New item



4	Black	黑	4	Blue	藍	4	- - -	白
3	Blue	藍	3	White	白	3	White	白
2	White	白	2	- - -		2	- - -	
1	Brown	棕	1	Brown	棕	1	Brown	棕

Pin #      Wire    Pin #      Wire    Pin #      Wire



Note:

- \*  $\varnothing$  Important Dimension to Check
- \* Waterproof Rate: IP68, mated 1m/24h
- \* Connector: Thermoplastic
- \* Male Pin: Copper Alloy.
- \* Screw Nut: Metal
- \* Cable: UL20233, TPU Jacket, Black
- \* Cable length tolerance: 1M: +50/-0 mm
- 3M < L ≤ 5M: +100/-0 mm
- 5M < L ≤ 10M: ±100 mm
- 10M < L ≤ 20M: ±200 mm
- 20M < L ≤ 30M: ±300 mm
- 30M < L ≤ 99M: ±500 mm

UNIT:mm		TITLE
TOLERANCE	$\pm 0.5mm$	MI2, T PLASTIC, SCREW CABLE, W/O, SR, M, M, MOLDING
SCALE	1:1	SIZE A4
REV.	A	SHEET 1 OF 1
WC-REV.	.0	$\varnothing$ : Inspection item

Amphenol LTW

安費諾亮泰企業股份有限公司

ITEM NO	DRAWN BY	DATE
	Mingxin Gao	2024/07/23
DWG NO	CHECKED BY	DATE
MI2T-XXBMMM-SL8HXX	Fisher Wang	2024/07/23
CUSTOMER	APPROVED BY	DATE
ALTW	Fred Lee	2024/07/23