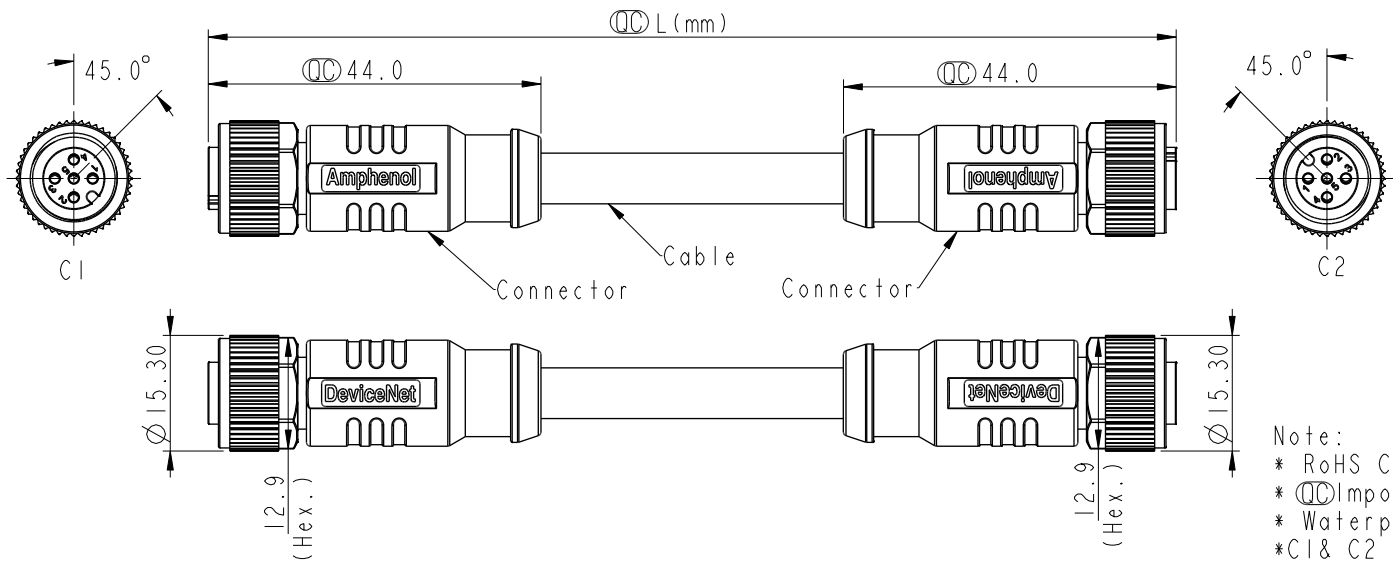


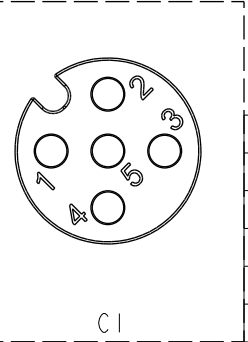
THIS DOCUMENT IS SUBJECT TO CHANGE WITHOUT NOTICE. IT IS CONFIDENTIAL AND A PROPERTY OF Amphenol LTW. DISCLOSURE TO THIRD PARTY HAS TO BE AUTHORIZED BY Amphenol LTW.

REV.	ECN NO.	DATE	SIGN	DESCRIPTION
A		2024/08/09	Vincent Huang	Rev.01 to Rev.A

MSASXXFL-SASFL-SJXXX
 XX: No. Of Pin
 XXX: 0.5~99Meters
 A05: 0.5 Meter
 001: 1 Meter
 002: 2 Meters
 :
 099: 99 Meters



Note:
 * RoHS Compliant
 * \varnothing Important dimension
 * Waterproof rate: IP68, mated 1m/24h, IP69K mated
 * C1 & C2
 Housing: Thermoplastic, Black
 Pin: Copper alloy, Gold plated
 O-Ring: Rubber, Gray
 Nut: Metal
 Outer mold: Thermoplastic, Black
 * Cable: UL20549, 24#*IP+22#*IP+AL/MY+B+D
 OD=6.7mm, TPU Jacket, Purple
 * Cable length tolerance: 0.5M < L ≤ 1M: +60/-0 mm
 1M < L ≤ 3M: +120/-0 mm
 3M < L ≤ 5M: +160/-0 mm
 5M < L ≤ 10M: ±100 mm
 10M < L ≤ 20M: ±200 mm
 20M < L ≤ 30M: ±300 mm
 30M < L ≤ 99M: ±500 mm



Shield	Braid	編織	Shield	
5	Blue	藍	5	Twist
4	White	白	4	
3	Black	黑	3	Twist
2	Red	紅	2	
1	Drain	地線	1	
C1	Wire Color		C2	
Pin Out				

Pin Assignments Front View

UNIT:mm		TITLE	ACC, SEN, A CODE, DB-ENDED FF, 55, SCREW		
TOLERANCE		SCALE	SIZE	SHEET	OF
±0.5mm		1:1	A4	1	1
REV.	A	WC-REV.	A.2	\varnothing : Inspection item	

Amphenol LTW
 安費諾亮泰企業股份有限公司

ITEM NO	DRAWN BY	DATE
	Vincent Huang	2024/08/09
DWG NO	CHECKED BY	DATE
MSASXXFL-SASFL-SJXXX	Neo Tsai	2024/08/09
CUSTOMER	APPROVED BY	DATE
ALTW	Fred Lee	2024/08/09