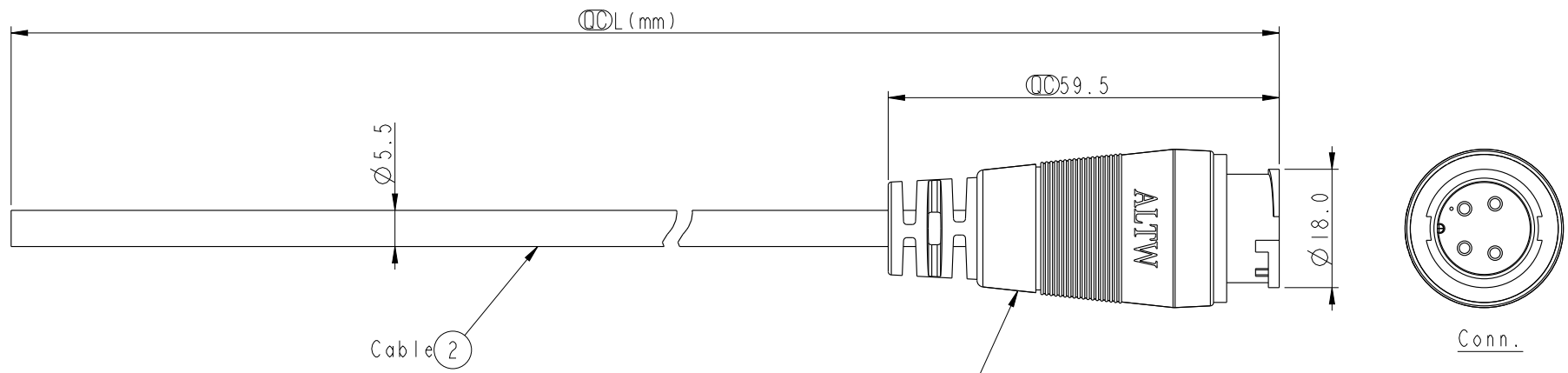
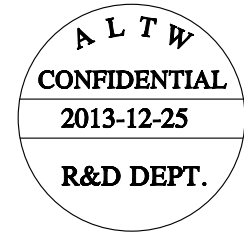


REV.	ECN NO.	DATE	SIGN	DESCRIPTION



ICB-04AMMM-LL7000  
Color: Black

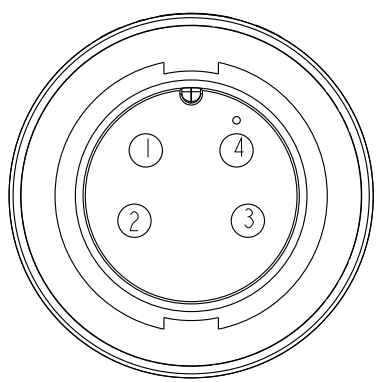


ICB-04AMMM-LL7AXX

- XX : 01~99Meters
- 01 : 01Meter
- 02 : 02Meters
- ...
- 99 : 99Meters

Cable Length(L):01~99Meters

- Note:
- \*  $\varnothing$  Important Dimension To Check.
  - \* Waterproof Rate: IP67
  - \* Housing: Nylon+GF, Black.
  - \* Male Pin: Copper Alloy, Gold Plated.
  - \* Cable: UL2464 20AWG\*4C+D+AI/My PVC Jacket UV Resistant, OD=5.5, Black.
  - \* Cable Length Tolerance:
    - 01M: 40mm
    - 02M~05M: ±60mm
    - 06M~10M: ±100mm
    - 11M~30M: ±200mm
    - 31M~99M: ±500mm



Pin Assignments  
Front View

4	White	白
3	Black	黑
2	Blue	藍
1	Brown	棕
Conn.	Wire Color	
Pin Out		

UNIT:mm	
TOLERANCE	±0.5

TITLE MIDDLE CNC PIN CABLE LOCK 4P M CONN M PIN			
SCALE 1:1	SIZE A4	SHEET 1 OF 1	
REV. A	WC-REV. A.2	$\varnothing$ : Inspection item	

**Amphenol LTW**  
安費諾亮泰企業股份有限公司

ITEM NO	DRAWN BY Laurence_zang	DATE 2013-12-25
DWG NO ICB-04AMMM-LL7AXX	CHECKED BY Lin Ren Song	DATE 2013-12-25
CUSTOMER ALTW	APPROVED BY Victor	DATE 2013-12-25

THIS DOCUMENT IS SUBJECT TO CHANGE WITHOUT NOTICE. IT IS CONFIDENTIAL AND A PROPERTY OF Amphenol LTW. DISCLOSURE TO THIRD PARTY HAS TO BE AUTHORIZED BY Amphenol LTW.