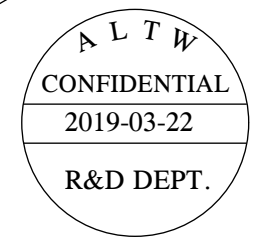
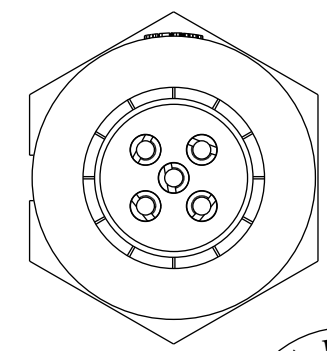
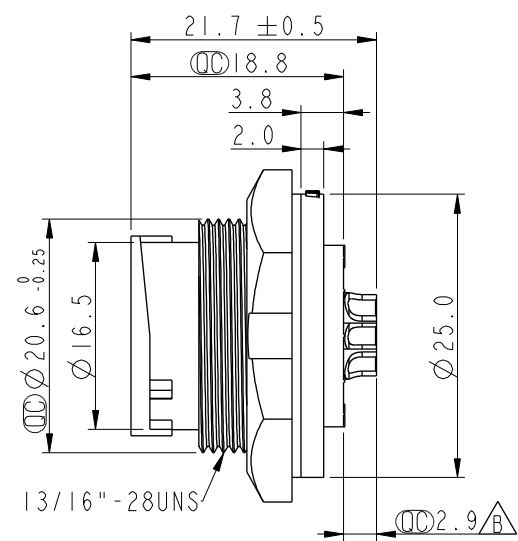
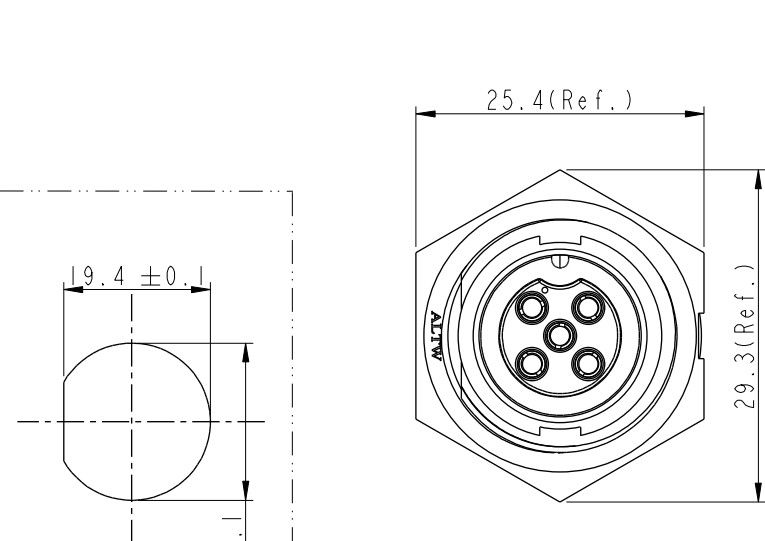


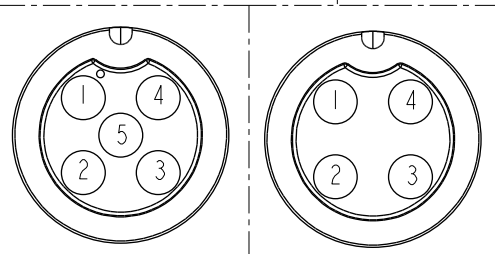
THIS DOCUMENT IS SUBJECT TO CHANGE WITHOUT NOTICE. IT IS CONFIDENTIAL AND A PROPERTY OF Amphenol LTW. DISCLOSURE TO THIRD PARTY HAS TO BE AUTHORIZED BY Amphenol LTW.

REV.	ECN NO.	DATE	SIGN	DESCRIPTION
A	Initial Release	2014-01-16	Jason.Yu	New Item
B	LEN1660790~91	2016-06-21	Mafei	Change To Common Drawing
C	CI90308	2019/03/22	Ruru	Modify Note & Add QC Dimension

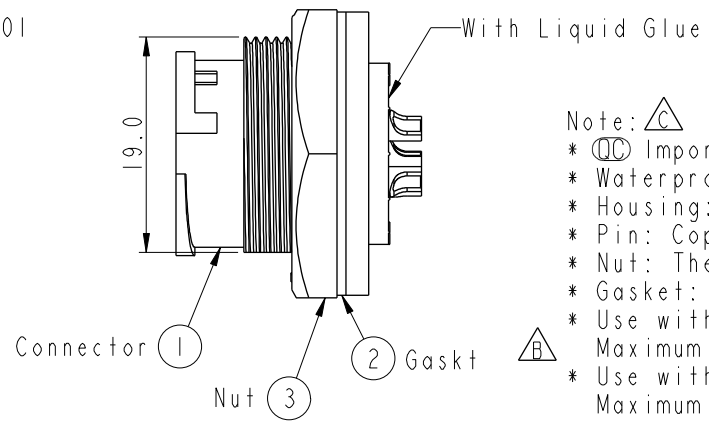


Recommended Panel Cut-Out

ICB-XXPMFS-LC7001  
 04: 4Pin  
 05: 5Pin



Pin Assignments Front View



- Note:
- \* Important Dimension
  - \* Waterproof Rate: IP67, Unmated
  - \* Housing: Thermoplastic, Black
  - \* Pin: Copper Alloy, Gold Plated
  - \* Nut: Thermoplastic, Black
  - \* Gasket: Rubber, Gray
  - \* Use with waterproof cap or dust cap  
Maximum Panel Thickness: 2.8mm
  - \* Use without waterproof cap or dust cap  
Maximum Panel Thickness: 4.0mm
  - \* Gasket and Nut are packed separately in PE bags

UNIT: mm		
TOLERANCE	.X	±0.25
	.XX	±0.1
	.XXX	±0.05
ANGLES		±1°

TITLE MIDDLE CNC PIN PANEL LOCK 5PIN M CONN F PIN			
SCALE	SIZE	SHEET	OF
3:2	A4	1	1
REV.	WC-REV.	: Inspection item	
C	A.1		

**Amphenol LTW**  
 安費諾亮泰企業股份有限公司

ITEM NO. 	DRAWN BY Ruru	DATE 2019-03-22
DWG NO. ICB-XXPMFS-LC7001	CHECKED BY Rita	DATE 2019-03-22
CUSTOMER ALTW	APPROVED BY Max	DATE 2019-03-22