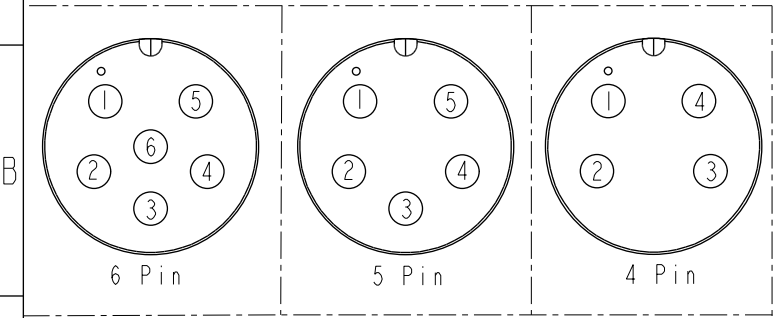
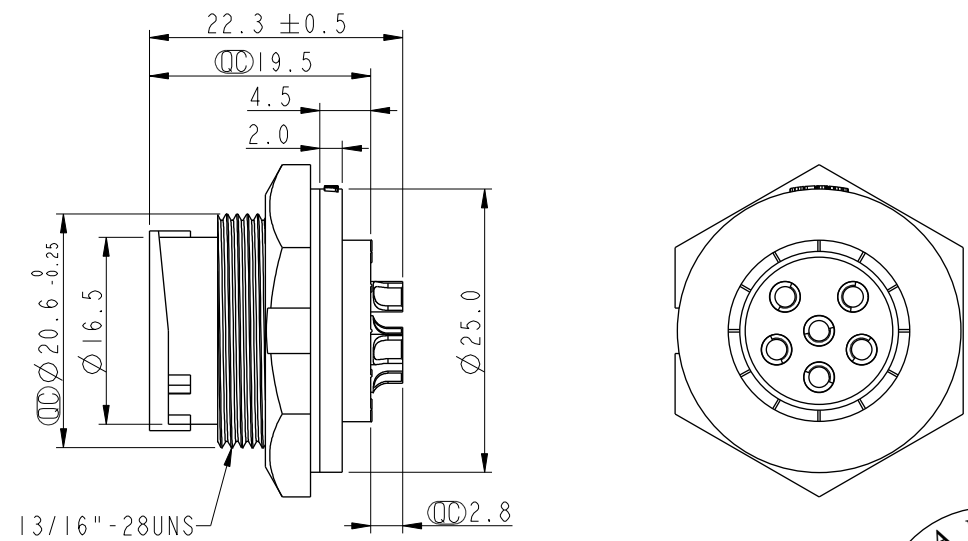
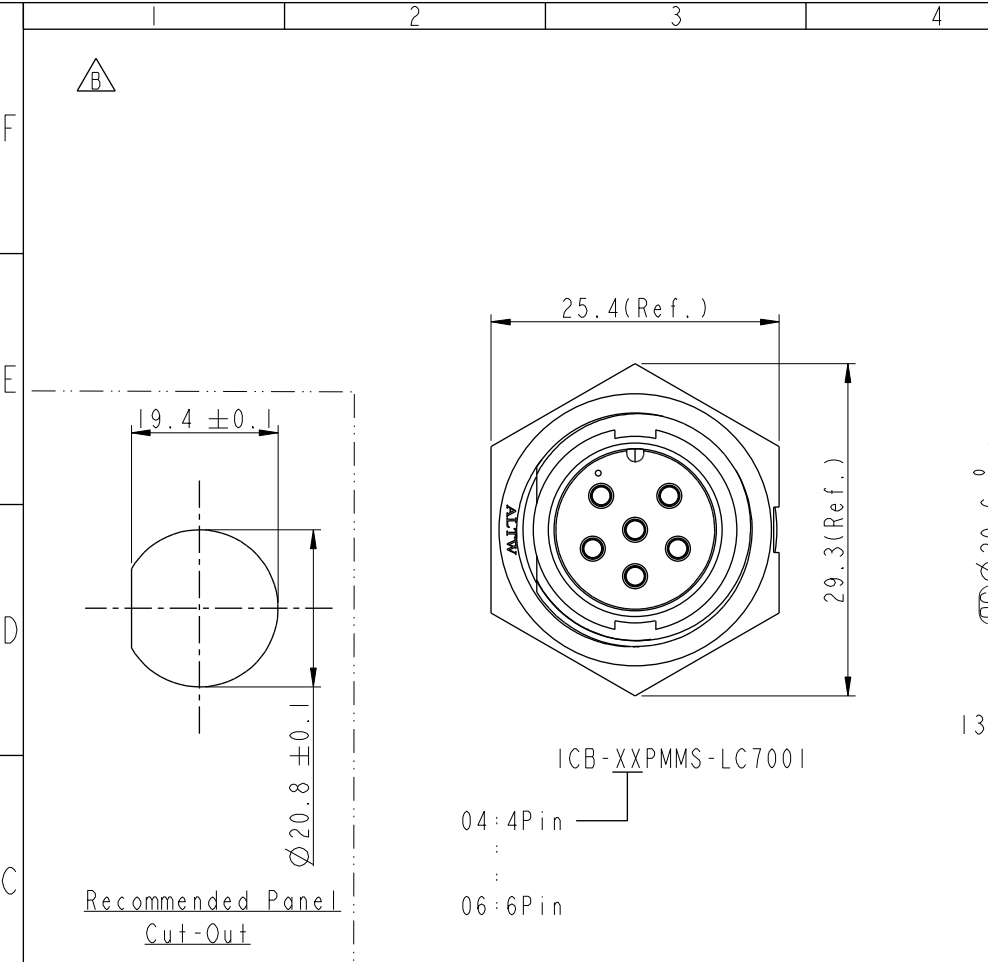
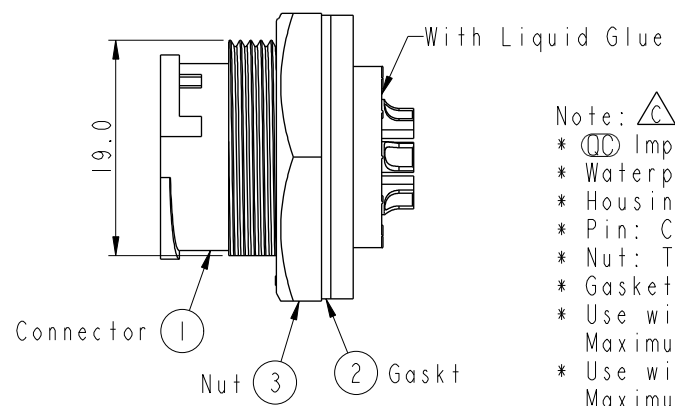


THIS DOCUMENT IS SUBJECT TO CHANGE WITHOUT NOTICE. IT IS CONFIDENTIAL AND A PROPERTY OF Amphenol LTW. DISCLOSURE TO THIRD PARTY HAS TO BE AUTHORIZED BY Amphenol LTW.

REV.	ECN NO.	DATE	SIGN	DESCRIPTION
A	Initial Release	2013-01-06	Jason.Yu	New Item
B	LEN1660786~88	2016-06-20	Mafei	Change To Common Drawing
C	CI90308	2019/03/22	Ruru	Modify Note & Add QC Dimension



Pin Assignments Front View



- Note:
- * Important Dimension
 - * Waterproof Rate: IP67, Unmated
 - * Housing: Thermoplastic, Black
 - * Pin: Copper Alloy, Gold Plated
 - * Nut: Thermoplastic, Black
 - * Gasket: Rubber, Gray
 - * Use with waterproof cap or dust cap
Maximum Panel Thickness: 2.8mm
 - * Use without waterproof cap or dust cap
Maximum Panel Thickness: 4.0mm
 - * Gasket and Nut are packed separately in PE bags

UNIT: mm			TITLE MIDDLE CNC PIN PANEL LOCK M CONN M PIN		
TOLERANCE	.X ±0.25	.XX ±0.1	SCALE 3:2	SIZE A4	SHEET 1 OF 1
ANGLES	.XXX ±0.05	±1°	REV. C	WC-REV. A.1	Inspection item

Amphenol LTW
安費諾亮泰企業股份有限公司

ITEM NO. 	DRAWN BY Ruru	DATE 2019-03-22
DWG NO. ICB-XXPMMS-LC7001	CHECKED BY Rita	DATE 2019-03-22
CUSTOMER ALTW	APPROVED BY Max	DATE 2019-03-22