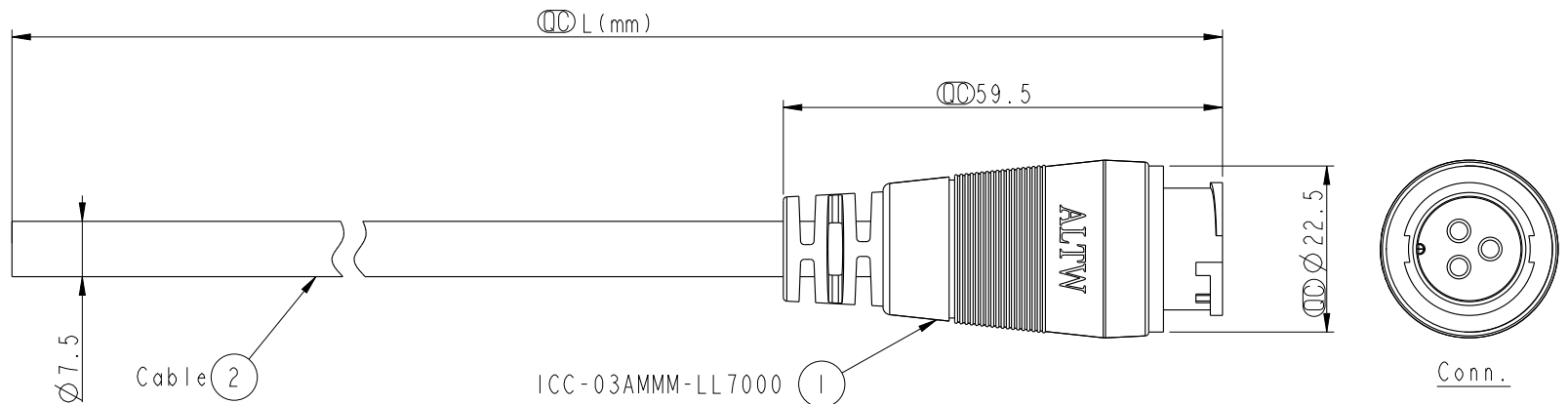


REV.	ECN NO.	DATE	SIGN	DESCRIPTION

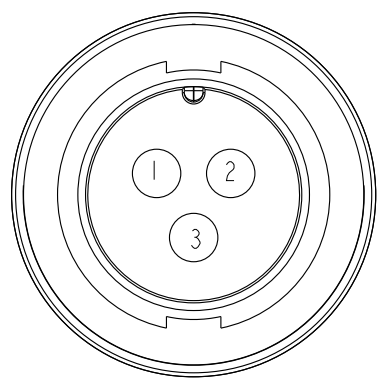
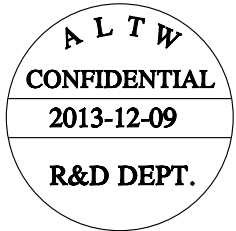


ICC-03AMMM-LL7000
Color: Black

ICC-03AMMM-LL7AXX

- XX : 01~99Meters
- 01 : 01Meter
- 02 : 02Meters
- ...
- 99 : 99Meters

Cable Length(L):01~99Meters



Pin Assignments
Front View

3	Black	黑
2	Blue	藍
1	Brown	棕
Conn.	Wire Color	
Pin Out		

- Note:
- * \varnothing Important Dimension To Check.
 - * Waterproof Rate: IP67
 - * Housing: Nylon+GF, Black.
 - * Male Pin: Copper Alloy, Gold Plated.
 - * Cable: UL2464 16AWG*3C+D+AI/My
PVC Jacket UV Resistant, OD=7.5, Black.
 - * Cable Length Tolerance: 01M: 40mm
02M~05M: ±60mm
06M~10M: ±100mm
11M~30M: ±200mm
31M~99M: ±500mm

UNIT: mm		
TOLERANCE	±0.5	

TITLE MIDDLE CNC PIN CABLE LOCK 3P M CONN M PIN			
SCALE 1:1	SIZE A4	SHEET 1 OF 1	
REV. A	WC-REV. A.3	\varnothing : Inspection item	

Amphenol LTW
安費諾亮泰企業股份有限公司

ITEM NO	DRAWN BY peter_wang	DATE 2013-12-09
DWG NO ICC-03AMMM-LL7AXX	CHECKED BY Rensong	DATE 2013-12-09
CUSTOMER ALTW	APPROVED BY Victor	DATE 2013-12-09

THIS DOCUMENT IS SUBJECT TO CHANGE WITHOUT NOTICE. IT IS CONFIDENTIAL AND A PROPERTY OF Amphenol LTW. DISCLOSURE TO THIRD PARTY HAS TO BE AUTHORIZED BY Amphenol LTW.