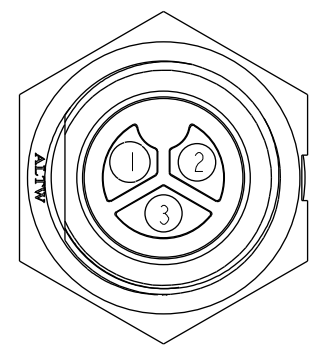
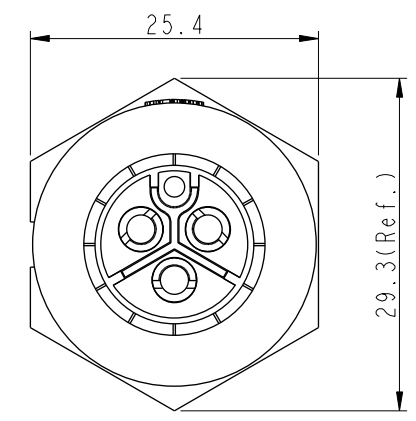
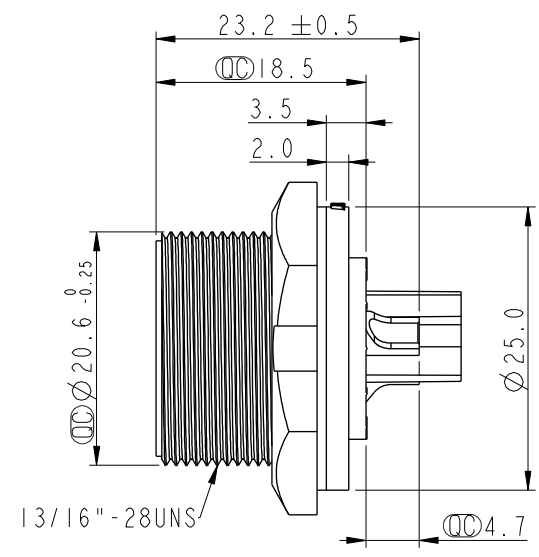
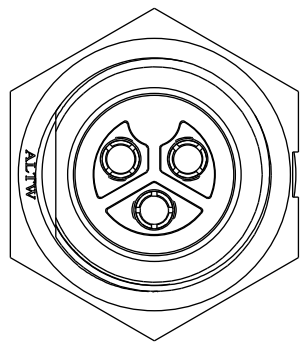


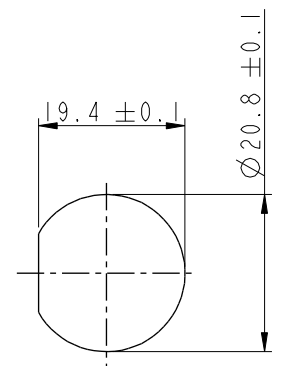
THIS DOCUMENT IS SUBJECT TO CHANGE WITHOUT NOTICE. IT IS CONFIDENTIAL AND A PROPERTY OF Amphenol LTW. DISCLOSURE TO THIRD PARTY HAS TO BE AUTHORIZED BY Amphenol LTW.

REV.	ECN NO.	DATE	SIGN	DESCRIPTION
A	Initial Release	2013/11/05	Jason.Yu	New Item
B	LEN1430210	2014/03/24	Jason.Yu	Modify Item No & DWG No
C	CI90308	2019/03/21	Ruru	Modify Note & Add QC Dimension

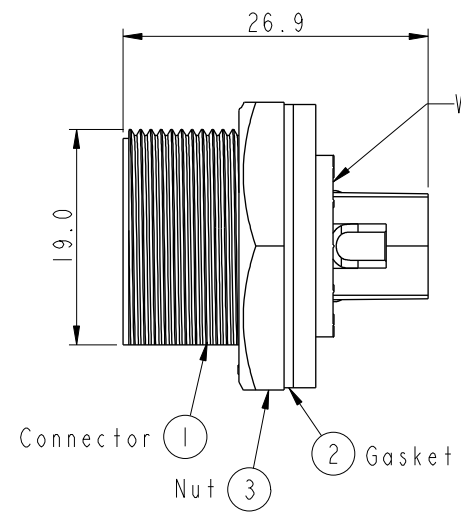
**ALTW**  
**CONFIDENTIAL**  
 2019-03-21  
**R&D DEPT.**



Pin Assignments  
Front View



Recommended Panel  
Cut-Out



- Note:  $\triangle$
- \*  $\text{CC}$  Important Dimension
  - \* Waterproof Rate: IP67, Unmated
  - \* Housing: Thermoplastic, Black
  - \* Pin: Copper Alloy, Gold Plated
  - \* Nut: Thermoplastic, Black
  - \* Gasket: Rubber, Gray
  - \* Use with waterproof cap or dust cap  
Maximum Panel Thickness: 2.5mm
  - \* Use without waterproof cap or dust cap  
Maximum Panel Thickness: 3.5mm
  - \* Gasket and Nut are packed separately  
in PE bags

UNIT: mm		
TOLERANCE		
.X	±0.25	
.XX	±0.1	
.XXX	±0.05	
ANGLES	±1°	

TITLE MIDDLE CNC PIN PANEL SCREW 3PIN M CONN F PIN			
SCALE 3:2	SIZE A4	SHEET 1 OF 1	
REV. C	WC-REV. B.3	$\text{CC}$ : Inspection item	

**Amphenol LTW**  
**安費諾亮泰企業股份有限公司**

ITEM NO. ICC-03PMFS-SC7001	DRAWN BY Ruru	DATE 2019-03-21
DWG NO. ICC-03PMFS-SC7001	CHECKED BY Rita	DATE 2019-03-21
CUSTOMER ALTW	APPROVED BY Max	DATE 2019-03-21