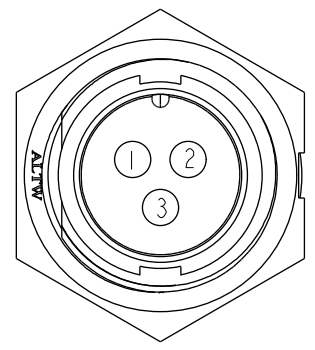
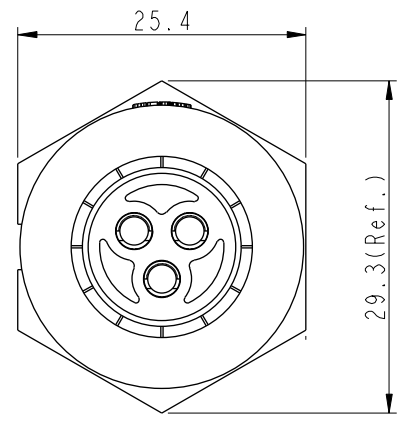
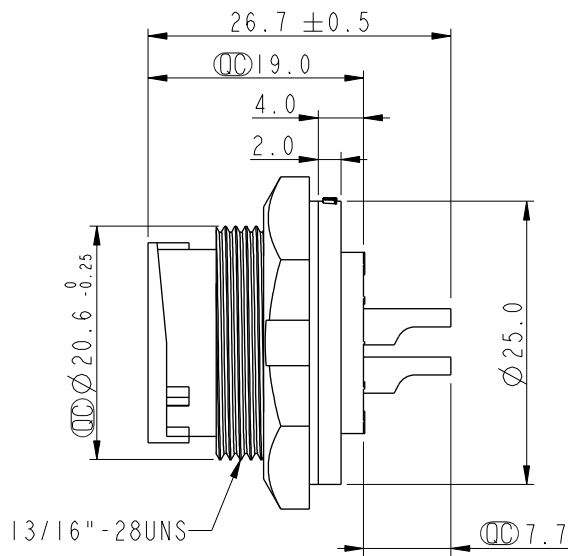
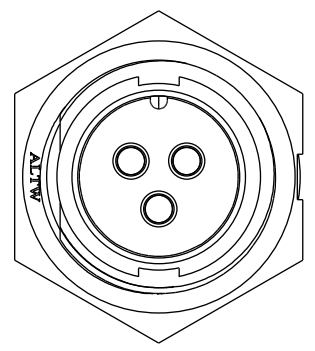


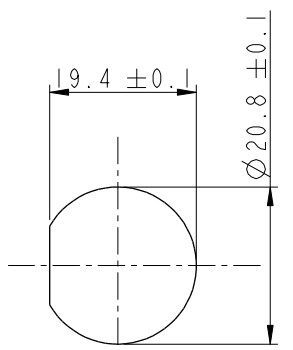
THIS DOCUMENT IS SUBJECT TO CHANGE WITHOUT NOTICE. IT IS CONFIDENTIAL AND A PROPERTY OF AMPHENOL LTW. DISCLOSURE TO THIRD PARTY HAS TO BE AUTHORIZED BY AMPHENOL LTW.

REV.	ECN NO.	DATE	SIGN	DESCRIPTION
A	Initial Release	2013-11-04	Jason.Yu	New Item
B	CI90308	2019/03/21	Ruru	Modify Note & Add QC Dimension

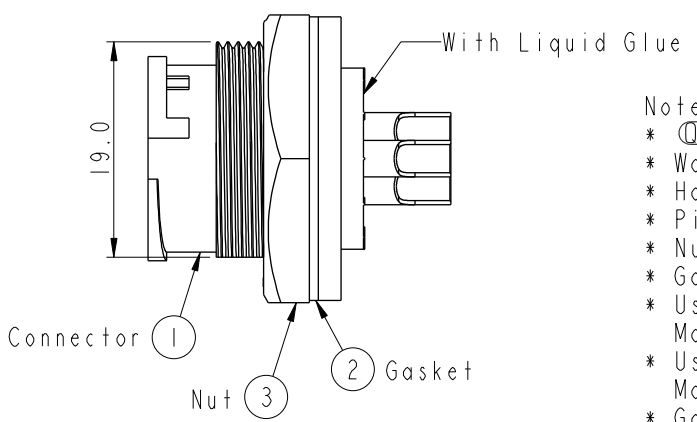
**ALTW**  
**CONFIDENTIAL**  
 2019-03-21  
**R&D DEPT.**



Pin Assignments  
Front View



Recommended Panel  
Cut-Out



- Note: **B**
- \* **CC** Important Dimension
  - \* Waterproof Rate: IP67, Unmated
  - \* Housing: Thermoplastic, Black
  - \* Pin: Copper Alloy, Gold Plated
  - \* Nut: Thermoplastic, Black
  - \* Gasket: Rubber, Gray
  - \* Use with waterproof cap or dust cap  
Maximum Panel Thickness: 2.8mm
  - \* Use without waterproof cap or dust cap  
Maximum Panel Thickness: 4.0mm
  - \* Gasket and Nut are packed separately in PE bags

UNIT: mm		
TOLERANCE	.X ±0.25	
	.XX ±0.1	
	.XXX ±0.05	
ANGLES	±1°	

TITLE MIDDLE CNC PIN PANEL LOCK 3PIN M CONN M PIN			
SCALE 3:2	SIZE A4	SHEET 1 OF 1	
REV. B	WC-REV. A.4	<b>CC</b> : Inspection item	

**Amphenol LTW**  
**安費諾亮泰企業股份有限公司**

ITEM NO. ICC-03PMMS-LC7001	DRAWN BY Ruru	DATE 2019-03-21
DWG NO. ICC-03PMMS-LC7001	CHECKED BY Rita	DATE 2019-03-21
CUSTOMER ALTW	APPROVED BY Max	DATE 2019-03-21