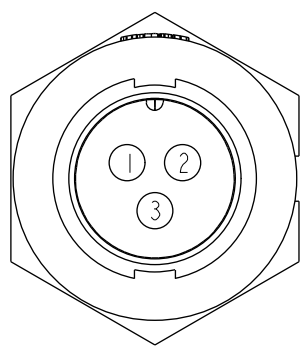
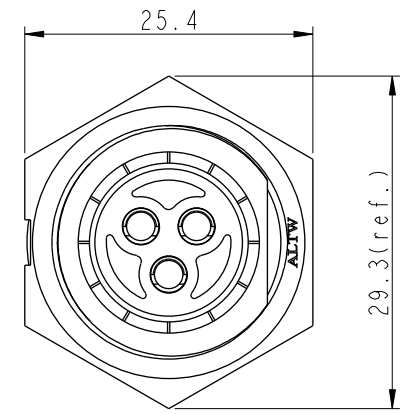
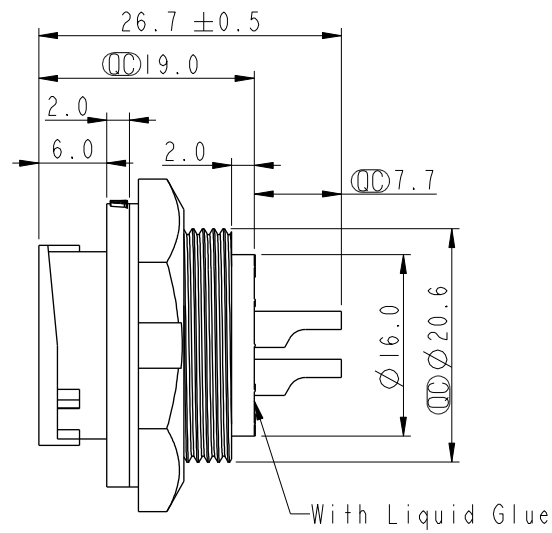
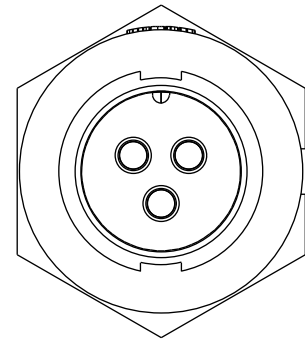


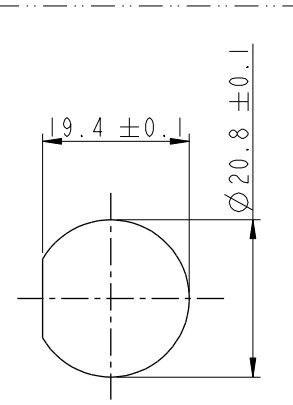
THIS DOCUMENT IS SUBJECT TO CHANGE WITHOUT NOTICE. IT IS CONFIDENTIAL AND A PROPERTY OF AMPHENOL LTW. DISCLOSURE TO THIRD PARTY HAS TO BE AUTHORIZED BY AMPHENOL LTW.

REV.	ECN NO.	DATE	SIGN	DESCRIPTION
A	Initial Release	2013/11/12	Jason.Yu	New Item
B	CI90308	2019/03/21	Ruru	Modify Note & Add QC Dimension

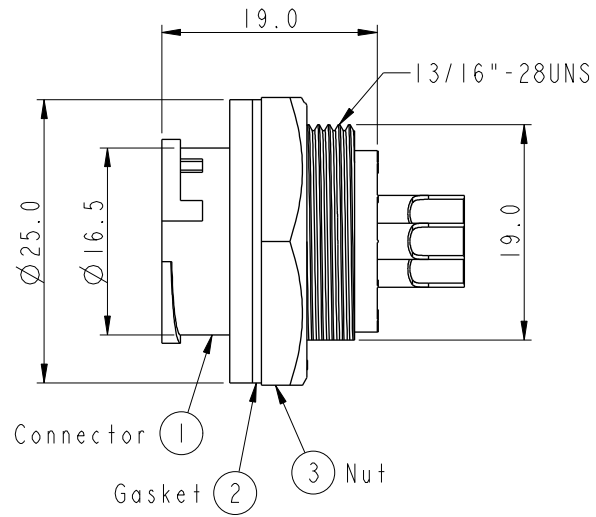
ALTW
CONFIDENTIAL
 2019-03-21
R&D DEPT.



Pin Assignments
Front View



Recommended Panel
Cut-Out



- Note:
- * Important Dimension
 - * Waterproof Rate: IP67, Unmated
 - * Housing: Thermoplastic, Black
 - * Pin: Copper Alloy, Gold Plated
 - * Nut: Thermoplastic, Black
 - * Gasket: Rubber, Gray
 - * Use with waterproof cap or dust cap
Maximum Panel Thickness: 2.8mm
 - * Use without waterproof cap or dust cap
Maximum Panel Thickness: 4.0mm
 - * Gasket and Nut are packed separately in PE bags

UNIT: mm		
TOLERANCE		
.X	±0.25	
.XX	±0.1	
.XXX	±0.05	
ANGLES	±1°	

TITLE MIDDLE CNC PIN PANEL LOCK 3P M CONN M PIN			
SCALE 3:2	SIZE A4	SHEET 1 OF 1	
REV. B	WC-REV. A.4	Inspection item	

Amphenol LTW
安費諾亮泰企業股份有限公司

ITEM NO. ICC-03RMMS-LC7001	DRAWN BY Ruru	DATE 2019-03-21
DWG NO. ICC-03RMMS-LC7001	CHECKED BY Rita	DATE 2019-03-21
CUSTOMER ALTW	APPROVED BY Max	DATE 2019-03-21