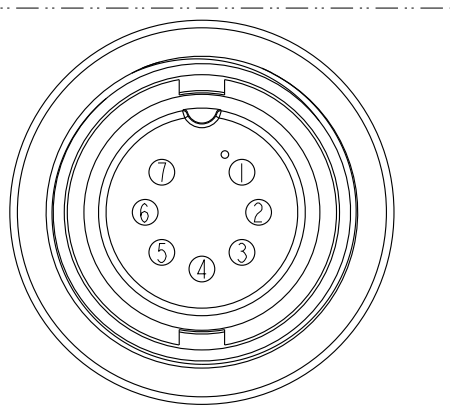
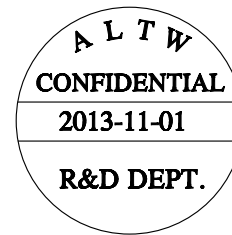
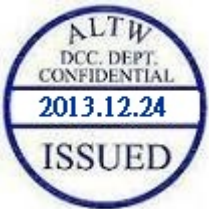
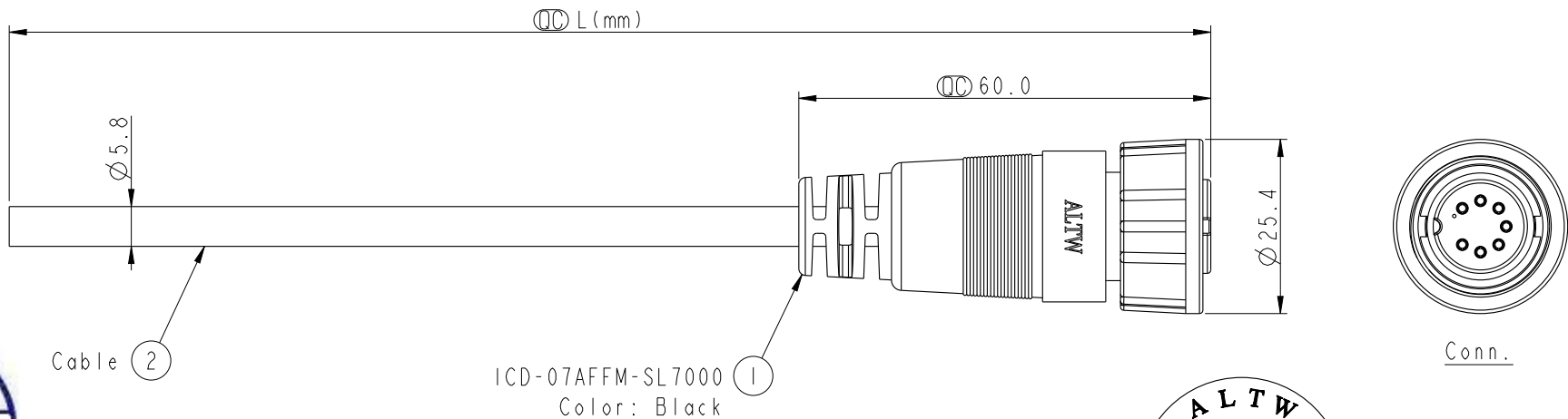


THIS DOCUMENT IS SUBJECT TO CHANGE WITHOUT NOTICE. IT IS CONFIDENTIAL AND A PROPERTY OF Amphenol LTW. DISCLOSURE TO THIRD PARTY HAS TO BE AUTHORIZED BY Amphenol LTW.

REV.	ECN NO.	DATE	SIGN	DESCRIPTION



Pin Assignments  
Front View

7	White	白
6	Green	綠
5	Brown	棕
4	Red	紅
3	Yellow	黃
2	Orange	橙
1	Blue	藍
Conn.	Wire Color	Pin Out

ICD-07AFFM-SL7AXX

XX : 01~99Meters  
 01 : 01Meter  
 02 : 02Meters  
 :  
 :  
 :  
 99 : 99Meters

Cable Length(L): 01~99Meters

Note:

- \*  $\varnothing$  Important Dimension To Check.
- \* Waterproof Rate: IP67
- \* Housing: Nylon+GF, Black.
- \* Female Pin: Copper Alloy, Gold Plated.
- \* Screw Nut: Nylon+GF, Black.
- \* O-Ring: Silicon, Gray
- \* Cable: UL2464 24AWG\*7C+Drain+Al/My PVC Jacket UV Resistant, OD=5.8, Black.
- \* Cable Length Tolerance: 01M: 40mm  
 02M~05M: ±60mm  
 06M~10M: ±100mm  
 11M~30M: ±200mm  
 31M~99M: ±500mm

UNIT:mm TOLERANCE ±0.5	TITLE MIDDLE CNC PIN CABLE SCREW 7P F CONN F PIN		Amphenol LTW 安費諾亮泰企業股份有限公司	ITEM NO	DRAWN BY Tony_leng	DATE 2013-11-01	
	SCALE 1:1	SIZE A4		SHEET 1	DWG NO ICD-07AFFM-SL7AXX	CHECKED BY Ruru	DATE 2013-11-01
	REV. A	WC-REV. A.1		$\varnothing$ : Inspection item	CUSTOMER ALTW	APPROVED BY Jerry	DATE 2013-11-01