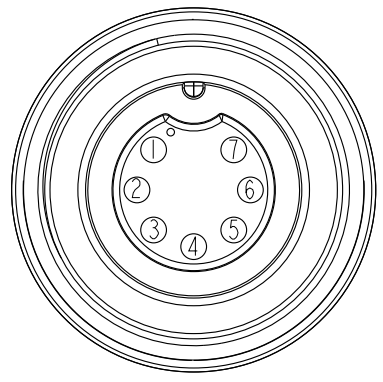
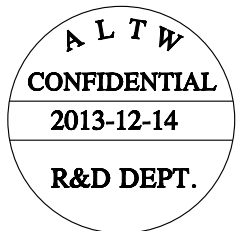
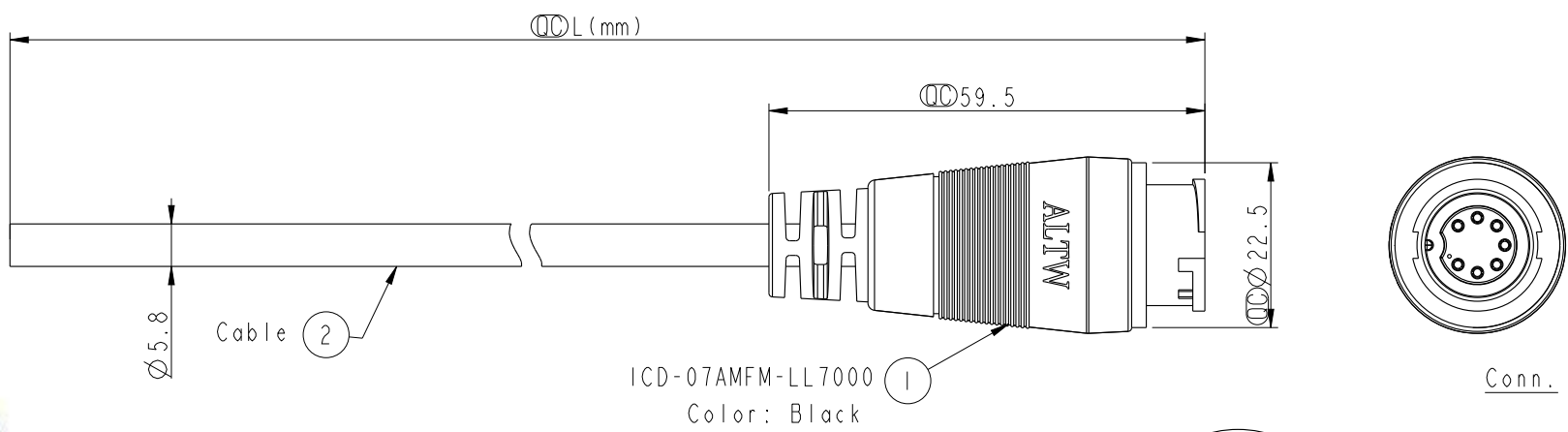


REV.	ECN NO.	DATE	SIGN	DESCRIPTION



Pin Assignments  
Front View

7	White	白
6	Green	綠
5	Brown	棕
4	Red	紅
3	Yellow	黃
2	Orange	橙
1	Blue	藍
Conn.	Wire Color	
Pin Out		

ICD-07AMFM-LL7AXX

XX : 01~99Meters  
 01 : 01Meter  
 02 : 02Meters  
 :  
 :  
 :  
 99 : 99Meters

Cable Length(L): 01~99Meters

- Note:
- \*  $\varnothing$  Important Dimension To Check.
  - \* Waterproof Rate: IP67
  - \* Housing: Nylon+GF, Black.
  - \* Female Pin: Copper Alloy, Gold Plated.
  - \* Cable: UL2464 24AWG\*7C+D+AL/Wy PVC Jacket UV Resistant, OD=5.8, Black.
  - \* Cable Length Tolerance:
    - 01M: 40mm
    - 02M~05M:  $\pm 60$ mm
    - 06M~10M:  $\pm 100$ mm
    - 11M~30M:  $\pm 200$ mm
    - 31M~99M:  $\pm 500$ mm

UNIT:mm	
TOLERANCE	$\pm 0.5$

TITLE MIDDLE CNC PIN CABLE LOCK 7P M CONN F PIN			
SCALE 1:1	SIZE A4	SHEET 1 OF 1	
REV. A	WC-REV. A.1	$\varnothing$ : Inspection item	

**Amphenol LTW**  
 安費諾亮泰企業股份有限公司

ITEM NO	DRAWN BY peter_wang	DATE 2013-12-14
DWG NO ICD-07AMFM-LL7AXX	CHECKED BY Rensong	DATE 2013-12-14
CUSTOMER ALTW	APPROVED BY Victor	DATE 2013-12-14

THIS DOCUMENT IS SUBJECT TO CHANGE WITHOUT NOTICE. IT IS CONFIDENTIAL AND A PROPERTY OF Amphenol LTW. DISCLOSURE TO THIRD PARTY HAS TO BE AUTHORIZED BY Amphenol LTW.