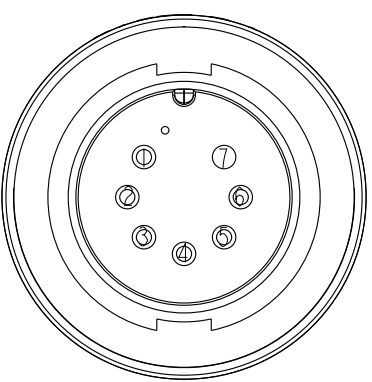
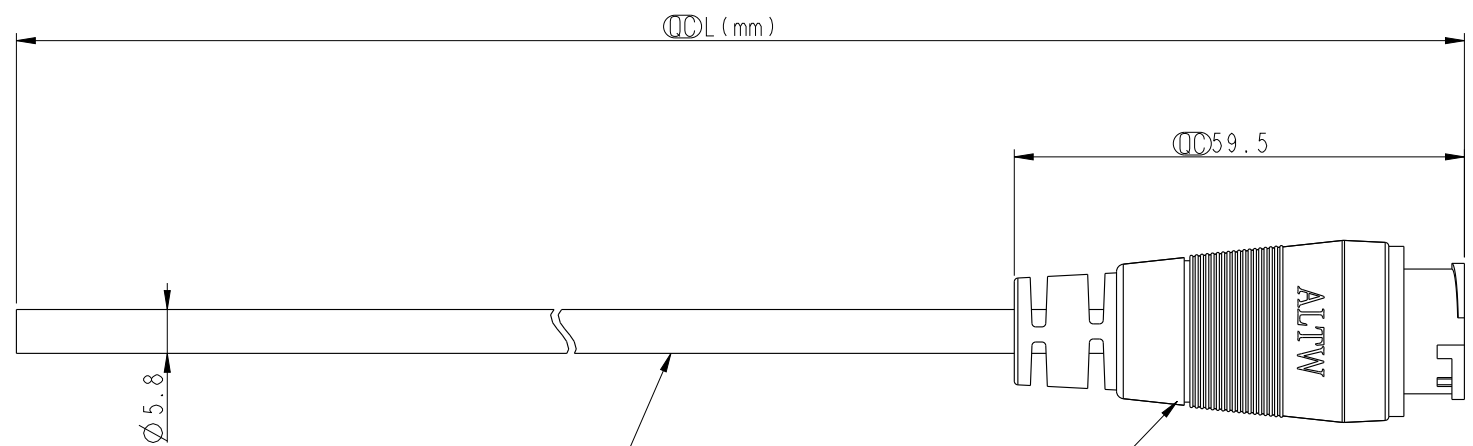


THIS DOCUMENT IS SUBJECT TO CHANGE WITHOUT NOTICE. IT IS CONFIDENTIAL AND A PROPERTY OF Amphenol LTW. DISCLOSURE TO THIRD PARTY HAS TO BE AUTHORIZED BY Amphenol LTW.

REV.	ECN NO.	DATE	SIGN	DESCRIPTION



Pin Assignments
Front View



7	White	白
6	Green	綠
5	Brown	棕
4	Red	紅
3	Yellow	黃
2	Orange	橘
1	Blue	藍
Conn.	Wire Color	
	Pin Out	

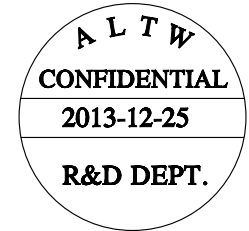
ICD-07AMMM-LL7000 ①
Color: Black

ICD-07AMMM-LL7AXX

XX: 01~99Meters
01: 01Meter
02: 02Meters
:

XX: 99Meters

Cable Length(L): 01~99Meters



Note:
 * Ⓞ Important Dimension To Check
 * Waterproof Rate: IP67
 * Housing: Nylon+GF, Black
 * Male Pin: Copper Alloy, Gold Plated
 * Cable: UL2464 24AWG*7C+Drain+AL/My
 PVC Jacket UV Resistant, OD5.8, Black.
 * Cable Length Tolerance: 01M: ±40mm
 02M~05M: ±60mm
 06M~10M: ±100mm
 11M~30M: ±200mm
 31M~99M: ±500mm

UNIT:mm		
TOLERANCE	±0.5	

TITLE Middle CNC PIN CABLE LOCK 7 PIN M CONN M PIN			
SCALE 1:1	SIZE A4	SHEET 1 OF 1	
REV. A	WC-REV. A.5	Ⓞ: Inspection item	

Amphenol LTW
安費諾亮泰企業股份有限公司

ITEM NO	DRAWN BY Laurence_zang	DATE 2013-12-25
DWG NO ICD-07AMMM-LL7AXX	CHECKED BY Lin Ren Song	DATE 2013-12-25
CUSTOMER ALTW	APPROVED BY Victor	DATE 2013-12-25