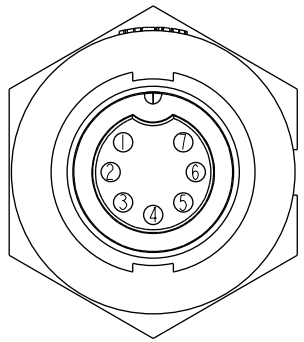
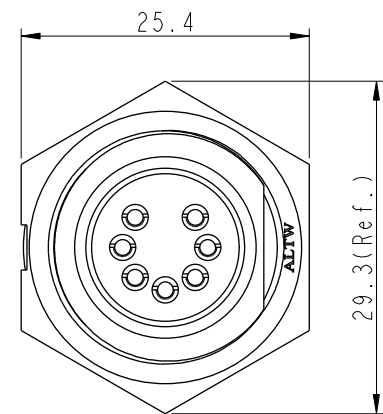
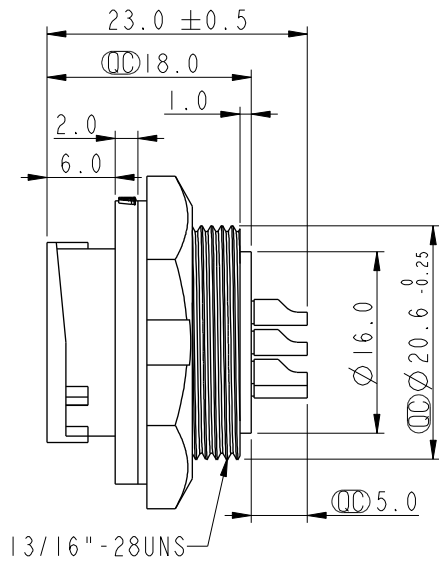
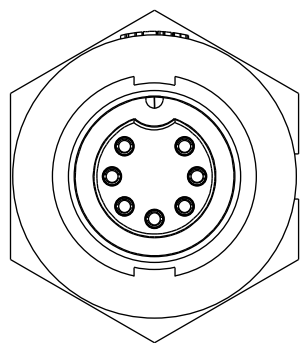


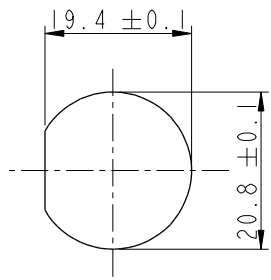
THIS DOCUMENT IS SUBJECT TO CHANGE WITHOUT NOTICE. IT IS CONFIDENTIAL AND A PROPERTY OF Amphenol LTW. DISCLOSURE TO THIRD PARTY HAS TO BE AUTHORIZED BY Amphenol LTW.

REV.	ECN NO.	DATE	SIGN	DESCRIPTION
A	Initial Release	2014-01-27	Jason.Yu	New Item
B	CI90308	2019/03/21	Ruru	Modify Note & Add QC Dimension

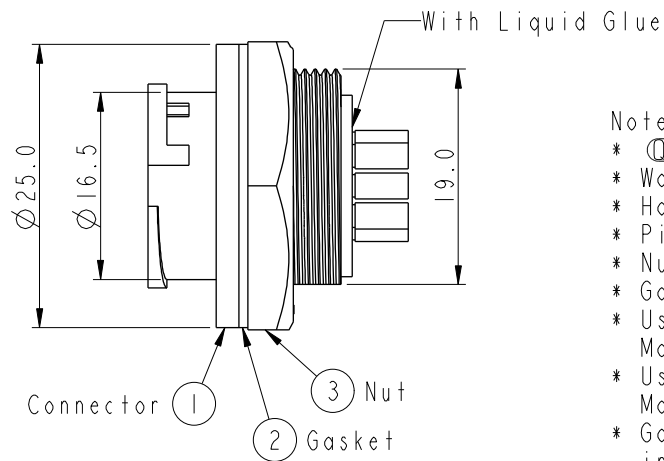
ALTW
CONFIDENTIAL
 2019-03-21
 R&D DEPT.



Pin Assignments
Front View



Recommended Panel
Cut-Out



Note: Important Dimension
 * Waterproof Rate: IP67, Unmated
 * Housing: Thermoplastic, Black
 * Pin: Copper Alloy, Gold Plated
 * Nut: Thermoplastic, Black
 * Gasket: Rubber, Gray
 * Use with waterproof cap or dust cap
 Maximum Panel Thickness: 2.8mm
 * Use without waterproof cap or dust cap
 Maximum Panel Thickness: 4.0mm
 * Gasket and Nut are packed separately
 in PE bags

UNIT: mm	
TOLERANCE	
.X	±0.25
.XX	±0.1
.XXX	±0.05
ANGLES	±1°

TITLE MIDDLE CNC PIN PANEL LOCK 7P M CONN F PIN			
SCALE 3:2	SIZE A4	SHEET 1 OF 1	
REV. B	WC-REV. A.5	QC: Inspection item	

Amphenol LTW
 安費諾亮泰企業股份有限公司

ITEM NO ICD-07RMFS-LC7001	DRAWN BY Ruru	DATE 2019-03-21
DWG NO ICD-07RMFS-LC7001	CHECKED BY Rita	DATE 2019-03-21
CUSTOMER ALTW	APPROVED BY Max	DATE 2019-03-21