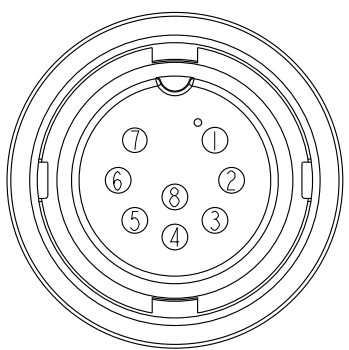
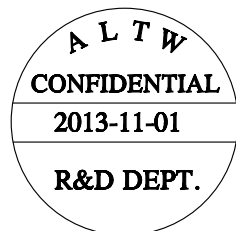
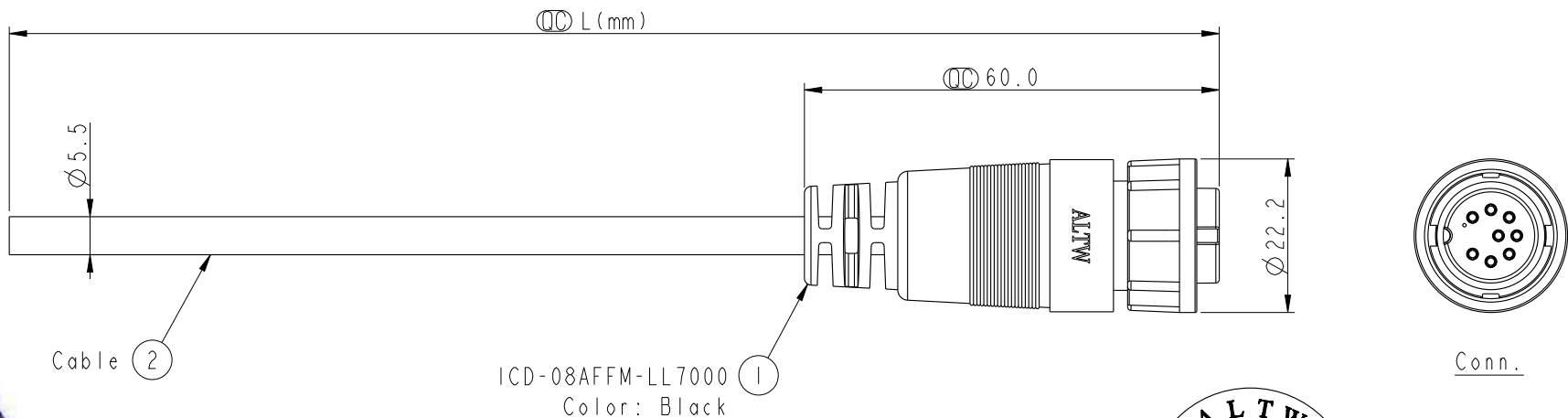


THIS DOCUMENT IS SUBJECT TO CHANGE WITHOUT NOTICE. IT IS CONFIDENTIAL AND A PROPERTY OF Amphenol LTW. DISCLOSURE TO THIRD PARTY HAS TO BE AUTHORIZED BY Amphenol LTW.

REV.	ECN NO.	DATE	SIGN	DESCRIPTION



Pin Assignments
Front View

8	Green	綠
7	Yellow	黃
6	Orange	橙
5	Red	紅
4	Blue	藍
3	White	白
2	Brown	棕
1	Black	黑
Conn.	Wire Color	Pin Out

ICD-08AFFM-LL7AXX
 XX : 01~99Meters
 01 : 01Meter
 02 : 02Meters
 :
 :
 :
 99 : 99Meters
 Cable Length(L):01~99Meters

- Note:
- * \varnothing Important Dimension To Check.
 - * Waterproof Rate: IP67
 - * Housing: Nylon+GF, Black.
 - * Female Pin: Copper Alloy, Gold Plated.
 - * Lock Nut: Nylon+GF, Black.
 - * O-Ring: Silicon, Gray
 - * Cable: UL2464 24AWG*8C+Drain+Al/My PVC Jacket UV Resistant, OD=5.5, Black.
 - * Cable Length Tolerance:
 - 01M~05M:±60mm
 - 06M~10M:±100mm
 - 11M~30M:±200mm
 - 31M~99M:±500mm

UNIT:mm TOLERANCE ±0.5	TITLE MIDDLE CNC PIN CABLE LOCK 8P F CONN F PIN		Amphenol LTW 安費諾亮泰企業股份有限公司	ITEM NO	DRAWN BY Tony_leng	DATE 2013-11-01	
	SCALE 1:1	SIZE A4		SHEET 1	DWG NO ICD-08AFFM-LL7AXX	CHECKED BY Ruru	DATE 2013-11-01
	REV. A	WC-REV. A.1		\varnothing : Inspection item	CUSTOMER ALTW	APPROVED BY Jerry	DATE 2013-11-01