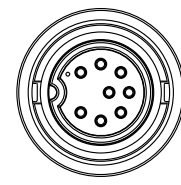
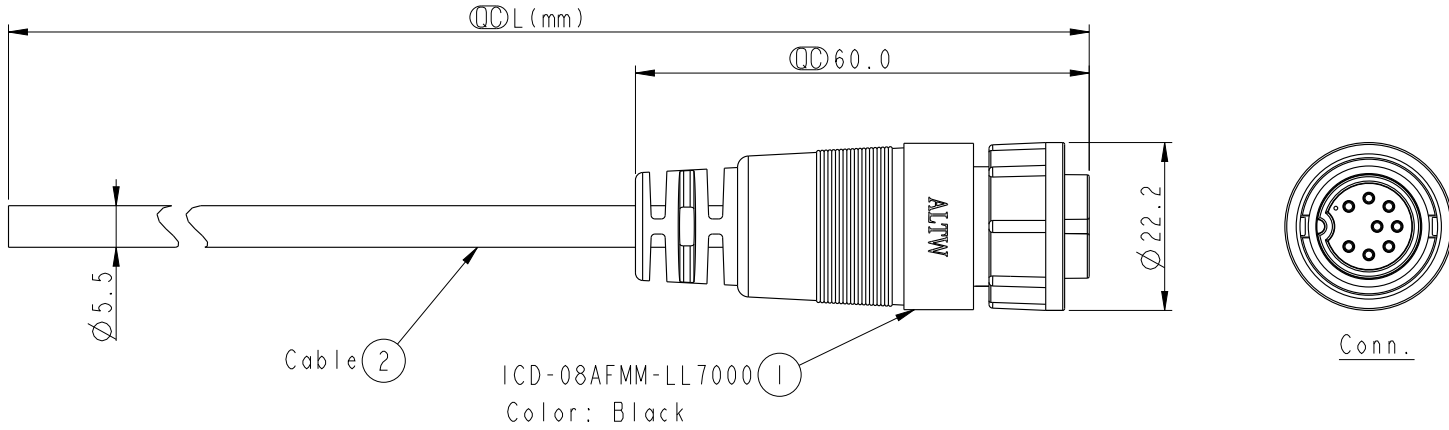


REV.	ECN NO.	DATE	SIGN	DESCRIPTION



Conn.

ICD-08AFMM-LL7000 (1)  
Color: Black

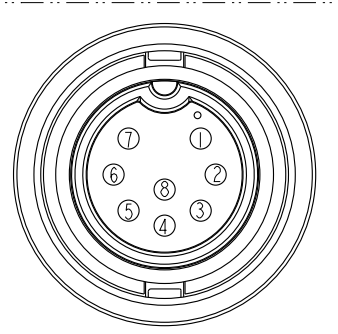
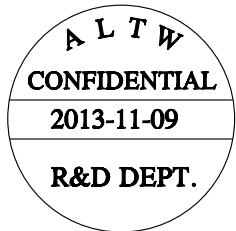
Cable (2)

ICD-08AFMM-LL7A XX

XX: 01~99Meters  
 01: 01Meter  
 02: 02Meters  
 :  
 :  
 :  
 :  
 :  
 XX: 99Meters

Cable Length(L): 01~99Meters

- Note:
- \*  $\varnothing$  Important Dimension To Check.
  - \* Waterproof Rate: IP67
  - \* Housing: Nylon+GF, Black.
  - \* Male Pin: Copper Alloy, Gold Plated.
  - \* Lock Nut: Nylon+GF, Black
  - \* O-Ring: Silicon, Gary.
  - \* Cable: UL2464 24AWG\*8C+Drain+Al/My PVC Jacket UV Resistant, OD=5.5, Black.
  - \* Cable Length Tolerance: 01M: 40mm  
 02M~05M: ±60mm  
 06M~10M: ±100mm  
 11M~30M: ±200mm  
 31M~99M: ±500mm



Pin Assignments Front View

8	Green	綠
7	Yellow	黃
6	Orange	橙
5	Red	紅
4	Blue	藍
3	White	白
2	Brown	棕
1	Black	黑
Conn.	Wire Color	Pin Out

UNIT: mm	
TOLERANCE	±0.5

TITLE MIDDLE CNC PIN CABLE LOCK 8P F CONN M PIN			
SCALE 1:1	SIZE A4	SHEET 1 OF 1	
REV. A	WC-REV. A.3	$\varnothing$ : Inspection item	

**Amphenol LTW**  
 安費諾亮泰企業股份有限公司

ITEM NO	DRAWN BY Lin_rensong	DATE 2013-11-09
DWG NO ICD-08AFMM-LL7A XX	CHECKED BY Tony_leng	DATE 2013-11-09
CUSTOMER ALTW	APPROVED BY Victor	DATE 2013-11-09

THIS DOCUMENT IS SUBJECT TO CHANGE WITHOUT NOTICE. IT IS CONFIDENTIAL AND A PROPERTY OF Amphenol LTW. DISCLOSURE TO THIRD PARTY HAS TO BE AUTHORIZED BY Amphenol LTW.