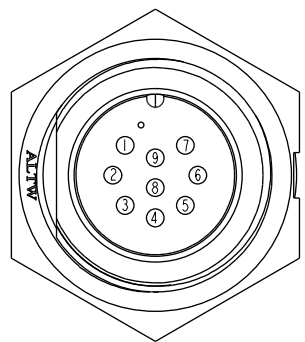
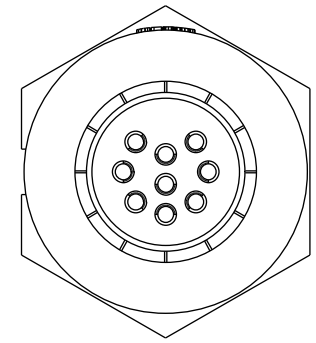
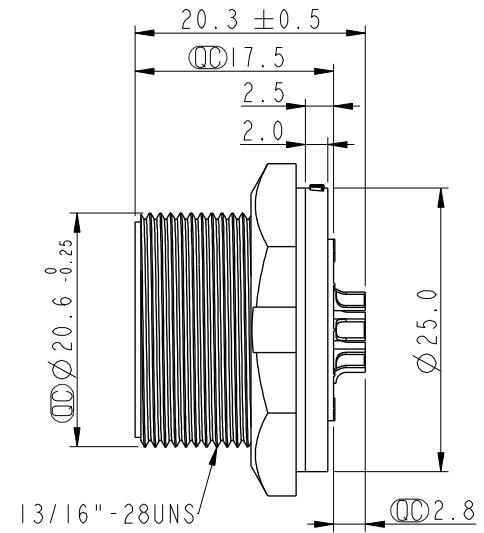
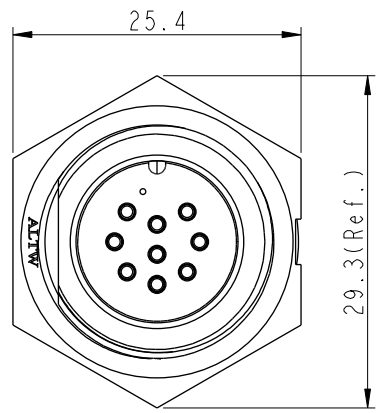


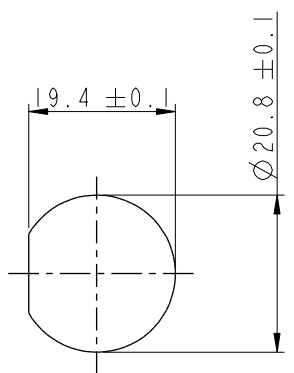
THIS DOCUMENT IS SUBJECT TO CHANGE WITHOUT NOTICE. IT IS CONFIDENTIAL AND A PROPERTY OF Amphenol LTW. DISCLOSURE TO THIRD PARTY HAS TO BE AUTHORIZED BY Amphenol LTW.

| REV. | ECN NO.         | DATE       | SIGN     | DESCRIPTION                    |
|------|-----------------|------------|----------|--------------------------------|
| A    | Initial Release | 2014-01-08 | Jason.Yu | New Item                       |
| B    | CI90308         | 2019/03/22 | Ruru     | Modify Note & Add QC Dimension |

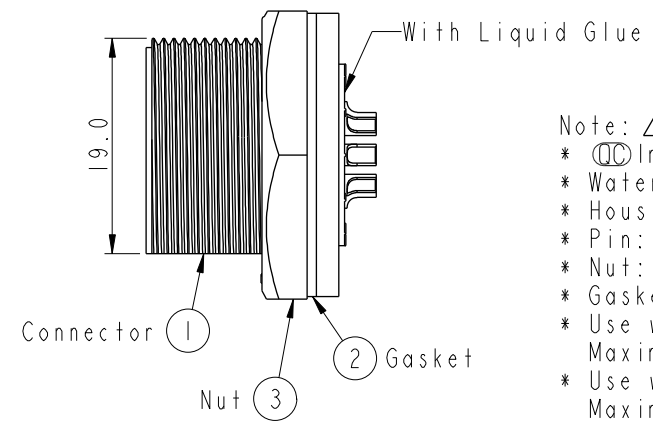
**ALTW**  
 CONFIDENTIAL  
 2019-03-22  
 R&D DEPT.



Pin Assignments  
Front View



Recommended Panel  
Cut-Out



Note:  $\triangle B$

- \*  $\text{CC}$  Important Dimension
- \* Waterproof Rate: IP67, Unmated
- \* Housing: Thermoplastic, Black
- \* Pin: Copper Alloy, Gold Plated
- \* Nut: Thermoplastic, Black
- \* Gasket: Rubber, Gray
- \* Use with waterproof cap or dust cap  
Maximum Panel Thickness: 2.5mm
- \* Use without waterproof cap or dust cap  
Maximum Panel Thickness: 3.5mm
- \* Gasket and Nut are packed separately in PE bags

|           |       |  |
|-----------|-------|--|
| UNIT: mm  |       |  |
| TOLERANCE |       |  |
| .X        | ±0.25 |  |
| .XX       | ±0.1  |  |
| .XXX      | ±0.05 |  |
| ANGLES    | ±1°   |  |

|  |                |                               |  |
|--|----------------|-------------------------------|--|
| TITLE<br>MIDDLE CNC PIN<br>PANEL SCREW 9PIN M CONN M PIN |                |                               |  |
| SCALE<br>3:2   | SIZE<br>A4     | SHEET<br>1 OF 1               |  |
| REV.<br>B  | WC-REV.<br>A.4 | $\text{CC}$ : Inspection item |  |

**Amphenol LTW**  
 安費諾亮泰企業股份有限公司

|                               |                    |                    |
|-------------------------------|--------------------|--------------------|
| ITEM NO.<br>ICD-09PMMS-SC7001 | DRAWN BY<br>Ruru   | DATE<br>2019-03-22 |
| DWG NO.<br>ICD-09PMMS-SC7001  | CHECKED BY<br>Rita | DATE<br>2019-03-22 |
| CUSTOMER<br>ALTW              | APPROVED BY<br>Max | DATE<br>2019-03-22 |