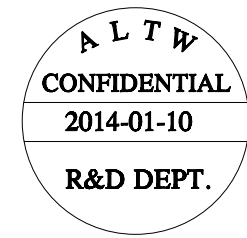
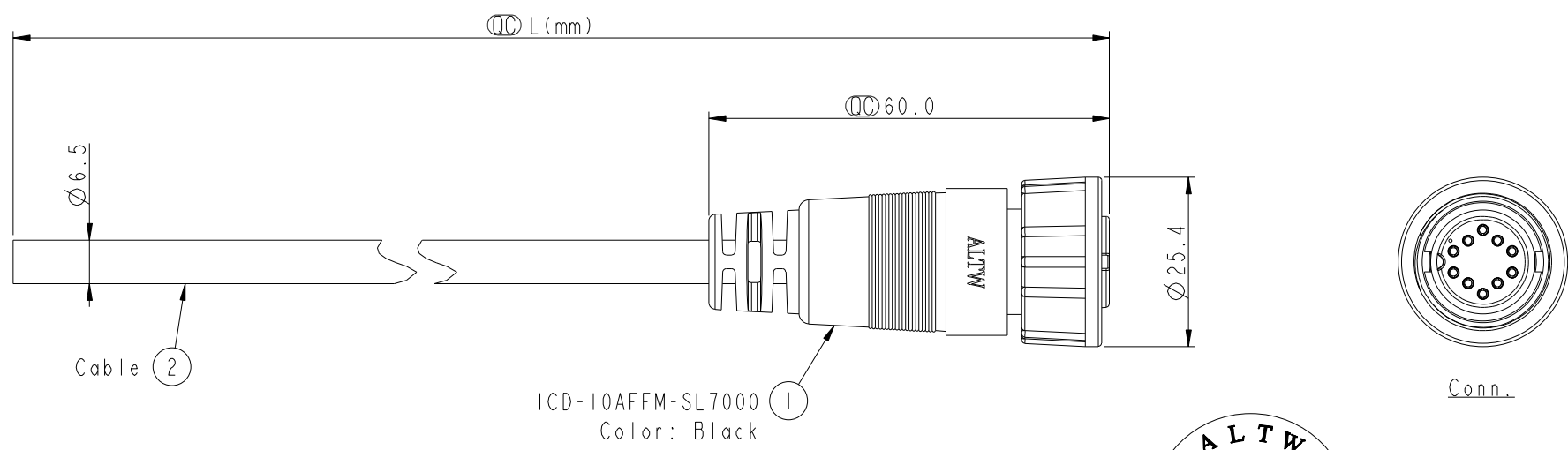


THIS DOCUMENT IS SUBJECT TO CHANGE WITHOUT NOTICE. IT IS CONFIDENTIAL AND A PROPERTY OF Amphenol LTW. DISCLOSURE TO THIRD PARTY HAS TO BE AUTHORIZED BY Amphenol LTW.

REV.	ECN NO.	DATE	SIGN	DESCRIPTION

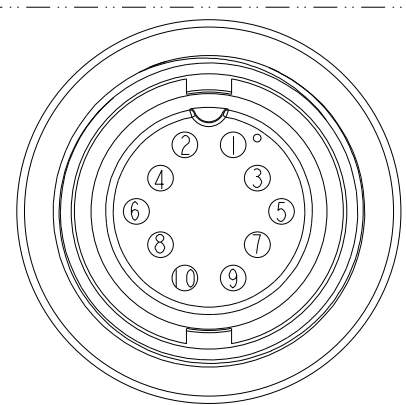


ICD-10AFFM-SL7AXX

XX : 01~99Meters  
 01 : 01Meter  
 02 : 02Meters  
 :  
 :  
 99 : 99Meters

Cable Length(L): 01~99Meters

- Note:
- \*  $\varnothing$  Important Dimension To Check.
  - \* Waterproof Rate: IP67
  - \* Housing: Nylon+GF, Black.
  - \* Female Pin: Copper Alloy, Gold Plated.
  - \* Screw Nut: Nylon+GF, Black.
  - \* O-Ring: Silicon, Gray
  - \* Cable: UL2464 24AWG\*10C+Drain+Al/My PVC Jacket UV Resistant, OD=6.5, Black.
  - \* Cable Length Tolerance: 01M: 40mm  
 02M~05M: ±60mm  
 06M~10M: ±100mm  
 11M~30M: ±200mm  
 31M~99M: ±500mm



Pin Assignments  
Front View

10	Orange	橙
9	Black	黑
8	Red	紅
7	Pink	粉紅
6	Gray	灰
5	Yellow	黃
4	Green	綠
3	White	白
2	Blue	藍
1	Brown	棕
Conn.	Wire Color	Pin Out

UNIT:mm TOLERANCE ±0.5	TITLE MIDDLE CNC PIN CABLE SCREW 10P F CONN F PIN			<h1>Amphenol LTW</h1> <p>安費諾亮泰企業股份有限公司</p>	ITEM NO	DRAWN BY Jiazhen_li	DATE 2014-01-10
	SCALE 1:1	SIZE A4	SHEET 1 OF 1		DWG NO ICD-10AFFM-SL7AXX	CHECKED BY Ruru	DATE 2014-01-10
	REV. A	WC-REV. A.2	$\varnothing$ : Inspection item		CUSTOMER ALTW	APPROVED BY Jerry	DATE 2014-01-10
				8 FMW10702-01-02A1			