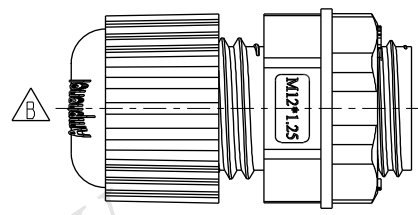
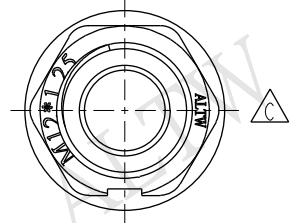
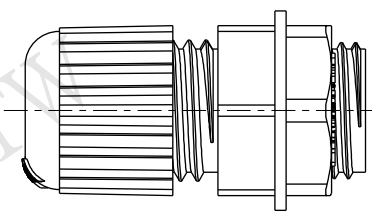
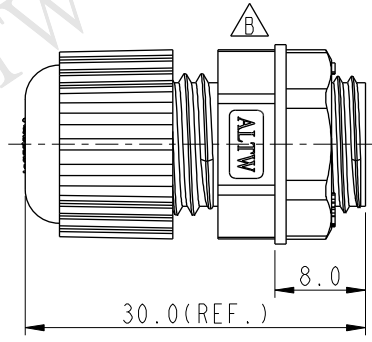
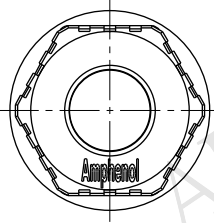
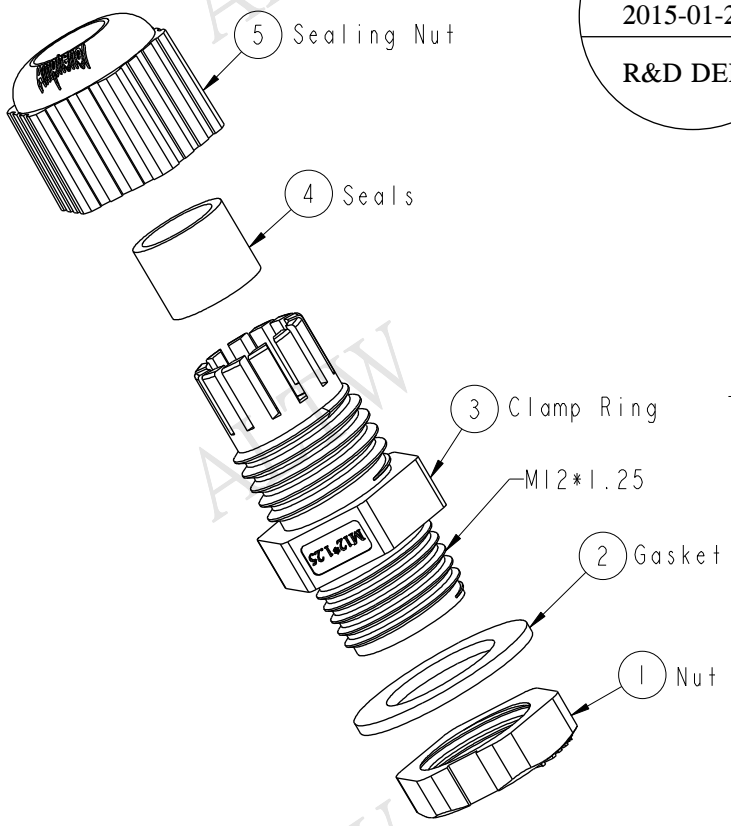


REV.	ECN NO.	DATE	SIGN	DESCRIPTION
B	LEN1510144	2015/01/07	Vicky	Update Logo & Note
C	LEN1510681	2015/01/28	Ruru	Change Logo

ALTW
CONFIDENTIAL
2015-01-28
R&D DEPT.

ALTW
DCC. DEPT.
CONFIDENTIAL
2015.01.30
ISSUED



- △B Note:**
- * Waterproof Rate: IP68
 - IP68: 1M Depth Of Water In 24hours
 - * Screw Nut: Nylon, Black
 - * Gasket: EPDM, Black
 - * Clamp Ring: Nylon, Black
 - * Seals: EPDM, Black
 - * Sealing Nut: Nylon, Black
 - * Cable Range : $\varnothing 4.5\text{mm} \sim \varnothing 6.5\text{mm}$
 - * For Panel Thickness: 3.0mm Max
 - * Spanner Size:
 - Body: 15.0mm
 - Sealing Nut: 15.0mm
 - Screw Nut: 15.0mm

UNIT:mm			TITLE
TOLERANCE	$\pm 0.5 \text{ mm}$		M12 Cable Glands Assembly
SCALE	3:2	SIZE	A4
REV.	C	WC-REV.	A.2
			QC: Inspection item

Amphenol LTW
安費諾亮泰企業股份有限公司

ITEM NO	CSG-12M001	DRAWN BY	Ruru	DATE	2015-01-28
DWG NO	CSG-12M001	CHECKED BY	Rita	DATE	2015-01-28
CUSTOMER	ALTW	APPROVED BY	Win	DATE	2015-01-28

THIS DOCUMENT IS SUBJECT TO CHANGE WITHOUT NOTICE. IT IS CONFIDENTIAL AND A PROPERTY OF Amphenol LTW. DISCLOSURE TO THIRD PARTY HAS TO BE AUTHORIZED BY Amphenol LTW.