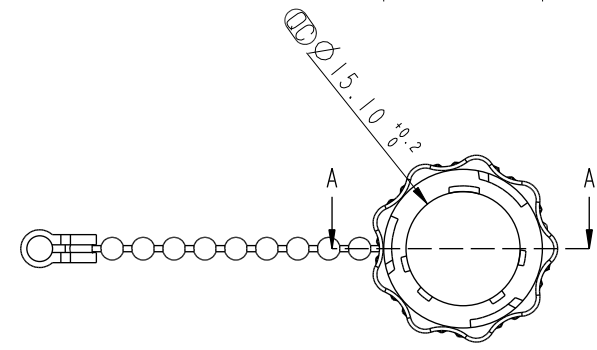
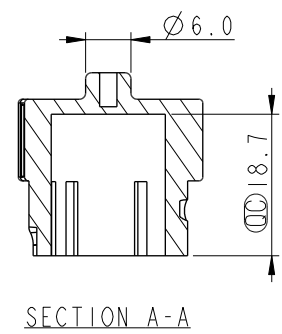
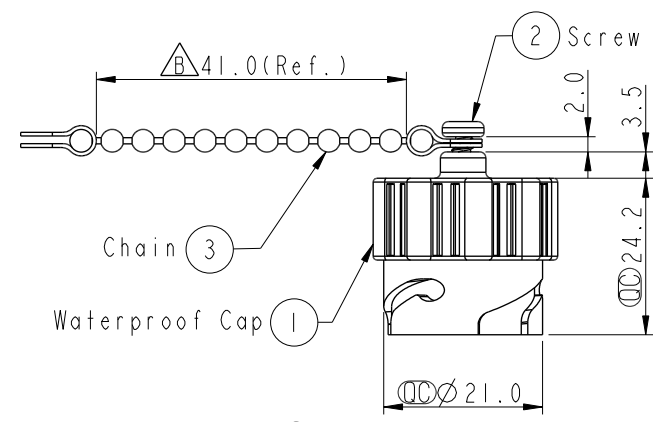
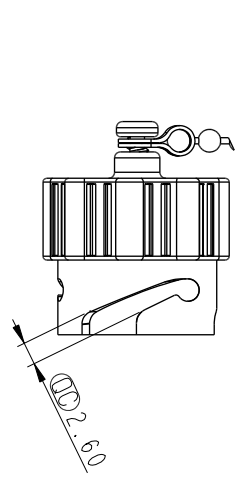
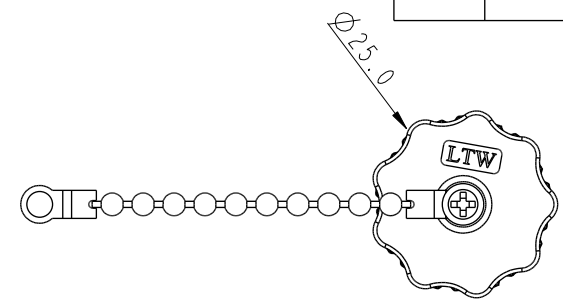


THIS DOCUMENT IS SUBJECT TO CHANGE WITHOUT NOTICE. IT IS CONFIDENTIAL AND A PROPERTY OF AMPHENOL LTW. DISCLOSURE TO THIRD PARTY HAS TO BE AUTHORIZED BY AMPHENOL LTW.

REV.	ECN NO.	DATE	SIGN	DESCRIPTION
A	Initial Release	2013/09/09	Vicky	Old Item No. CAP-WEBMFLBI
B	C230202	2023/02/16	Vicky	$\triangle B$ X2



Note:
 * \varnothing Important Dimension.
 * Waterproof Rate: IP67
 * Cap: PBT+PC, Black
 * Screw is not allowed to tight (Chain be revolve)
 不可將螺絲鎖緊，(鏈條要可旋轉)

UNIT: mm		
TOLERANCE	.X	± 0.25
	.XX	± 0.1
	.XXX	± 0.05
ANGLES		$\pm 1^\circ$

TITLE ACC, CERES, WP CAP 3BLOCK, W/ME CHAIN				$\triangle B$			
SCALE	1:1	SIZE	A4	SHEET	1	OF	1
REV.	B	WC-REV.	A.1	\varnothing : Inspection item			

Amphenol LTW
 安費諾亮泰企業股份有限公司

ITEM NO	CAP-WEBFTPBI	DRAWN BY	Vicky	DATE	2013-09-09
DWG NO	CAP-WEBFTPBI	CHECKED BY	Sam	DATE	2013-09-09
CUSTOMER	ALTW	APPROVED BY	Rita	DATE	2013-09-09