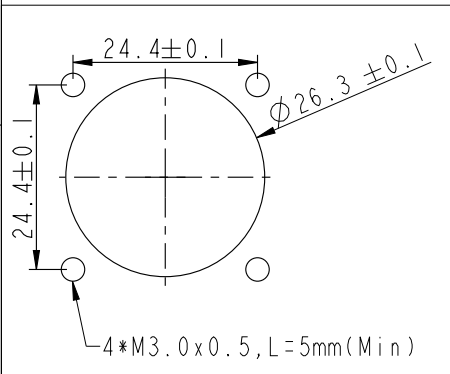
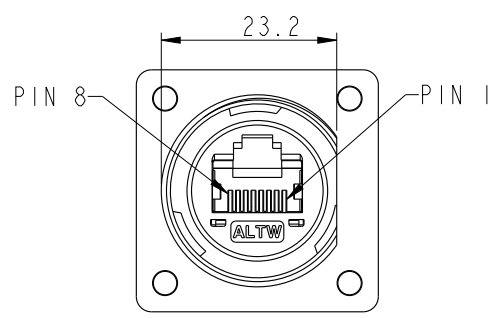
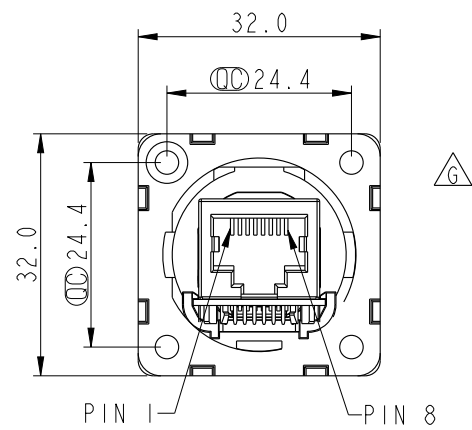
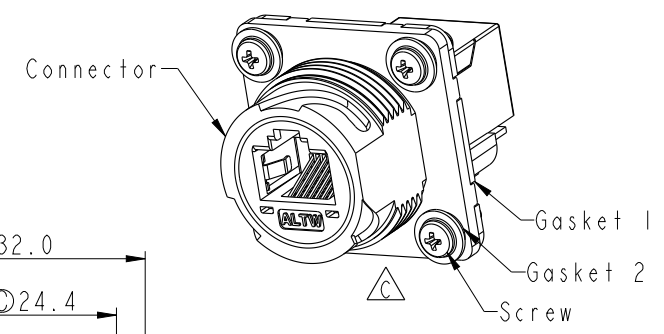
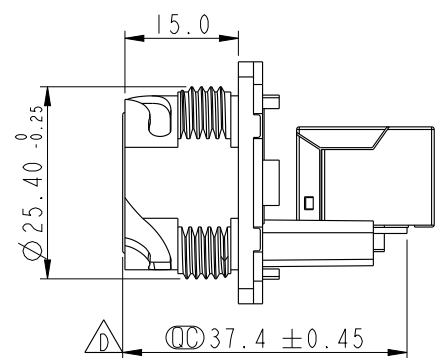
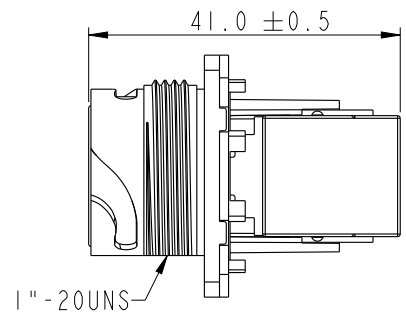


REV.	ECN NO.	DATE	SIGN	DESCRIPTION
E	C190405	2019/03/15	Ruru	Modify Note
F	C220800	2022/05/31	Vicky	$\triangle F$ X3
G	C230022	2023/01/07	Zhi Cheng	$\triangle G$ *2



Recommended Panel Cut-Out

- $\triangle G$   $\triangle F$   $\triangle F$  Note:
- \* RoHS Compliant
  - \*  $\varnothing$  Important dimension
  - \* Waterproof rate: IP67, mated
  - \* Connector Housing: Thermoplastic, Black, RJ45 jack, shielded
  - \* Gasket 1: Rubber, Gray
  - \* Gasket 2: Rubber, Black
  - \* Screw: Metal

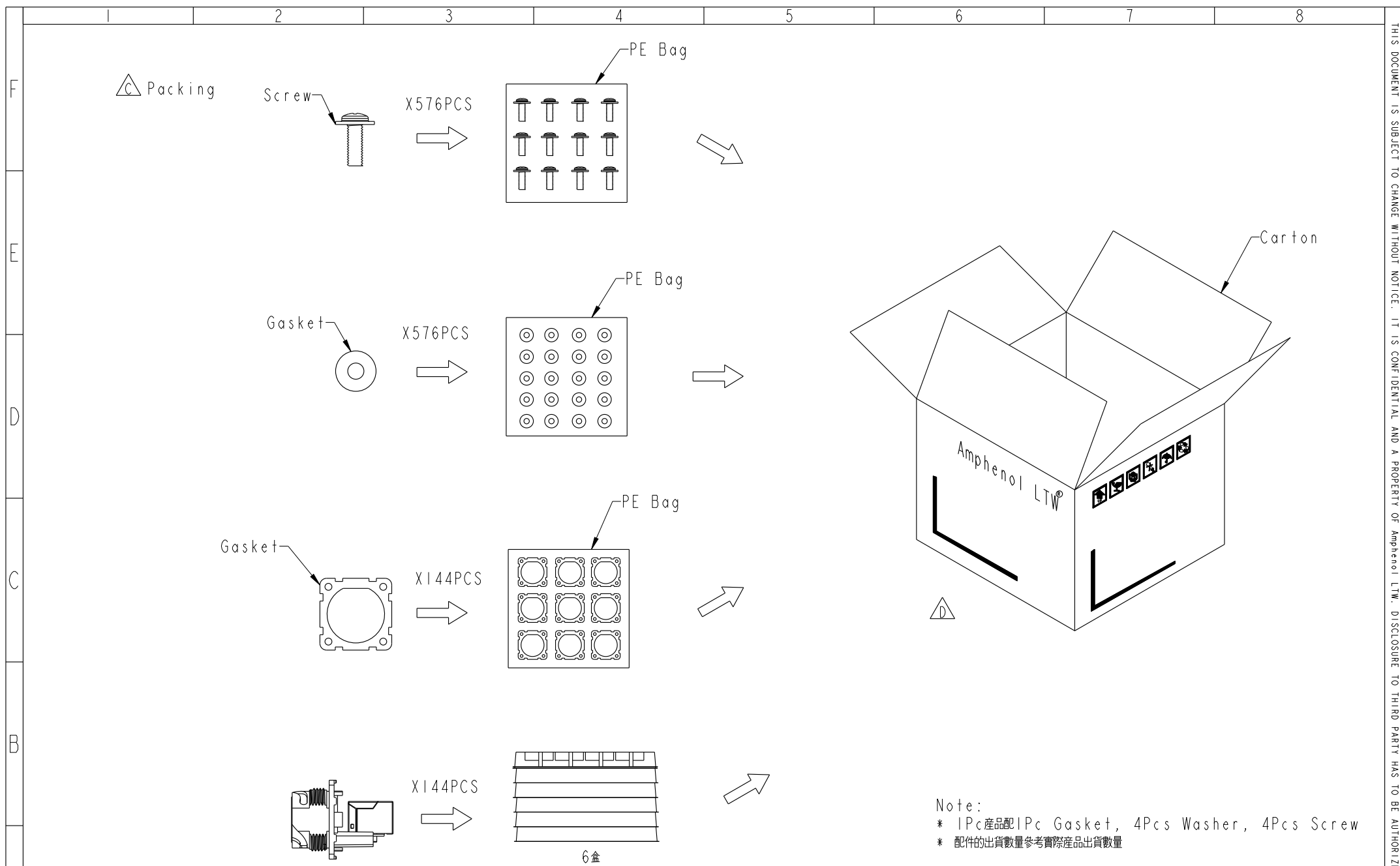
UNIT: mm			TITLE
TOLERANCE	.X ± 0.25	.XX ± 0.1	RJ, D PLASTIC, C5E SHLD FRONT FASTENED, F, PNL JACK S, 3LOCK
.XXX ± 0.05	ANGLES ± 1°	SCALE 1:1	SIZE A4
		REV. G	WC-REV. B.5
			SHEET 1 OF 2
			$\varnothing$ : Inspection item

**Amphenol LTW**  
安費諾亮泰企業股份有限公司

ITEM NO	RDP-5SPFFH-TSM7001	DRAWN BY	Ruru	DATE	2019-03-15
DWG NO	RDP-5SPFFH-TSM7001	CHECKED BY	Rita	DATE	2019-03-15
CUSTOMER	ALTW	APPROVED BY	Max	DATE	2019-03-15

THIS DOCUMENT IS SUBJECT TO CHANGE WITHOUT NOTICE. IT IS CONFIDENTIAL AND A PROPERTY OF AMPHENOL LTW. DISCLOSURE TO THIRD PARTY HAS TO BE AUTHORIZED BY AMPHENOL LTW.

THIS DOCUMENT IS SUBJECT TO CHANGE WITHOUT NOTICE. IT IS CONFIDENTIAL AND A PROPERTY OF Amphenol LTW. DISCLOSURE TO THIRD PARTY HAS TO BE AUTHORIZED BY Amphenol LTW.



UNIT: mm		TITLE			<h1>Amphenol LTW</h1> <p>安費諾亮泰企業股份有限公司</p>	ITEM NO	DRAWN BY	DATE
		RJ, D PLASTIC, C5E SHLD FRONT FASTENED, F, PNL JACK S, 3LOCK				RDP-5SPFFH-TSM7001	Ruru	2019-03-15
TOLERANCE		SCALE	SIZE	SHEET		DWG NO	CHECKED BY	DATE
.X ±0.25		1:1	A4	2 OF 2		RDP-5SPFFH-TSM7001	Rita	2019-03-15
.XX ±0.1		REV.	WC-REV.				APPROVED BY	DATE
.XXX ±0.05		G	A.4				Max	2019-03-15
ANGLES ±1°		Inspection item				CUSTOMER		
						ALTW		