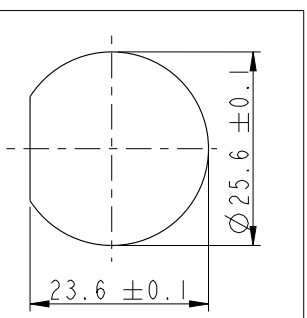
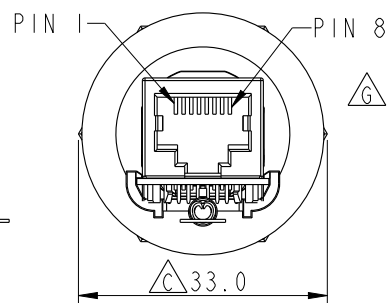
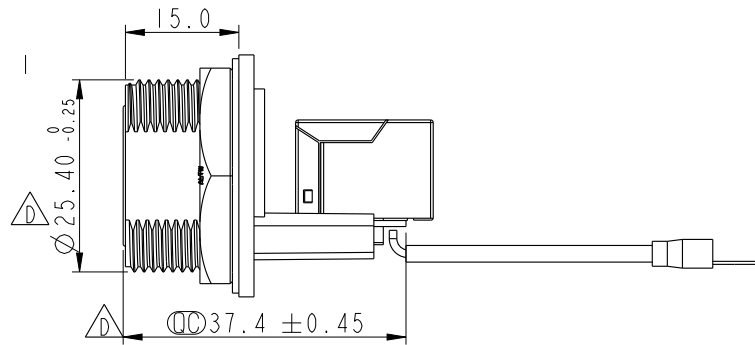
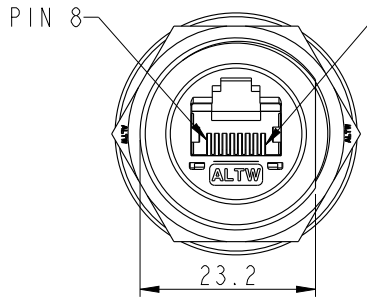
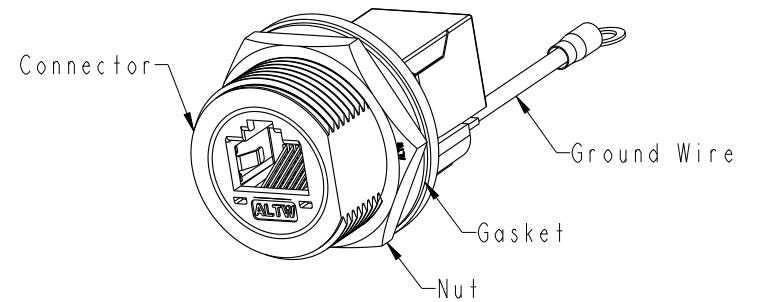
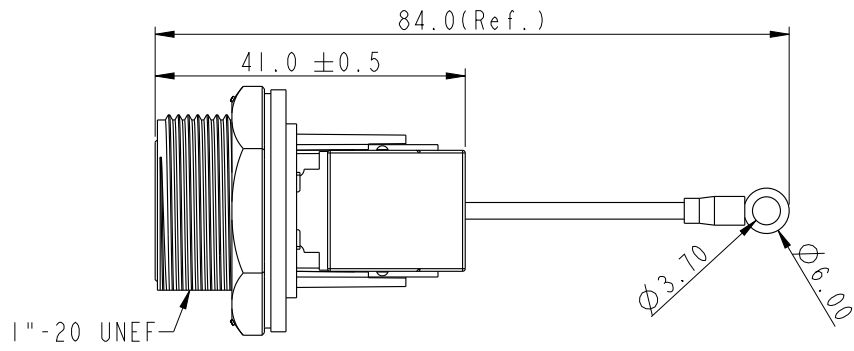


REV.	ECN NO.	DATE	SIGN	DESCRIPTION
E	C190405	2019/03/18	Ruru	Modify Note
F	C220800	2022/05/31	Vicky	$\triangle F$ X2
G	C230022	2023/01/07	Zhi Cheng	$\triangle G$ *2



Recommended Panel Cut-Out

- $\triangle G$   $\triangle E$   $\triangle F$  Note:
- \* RoHS Compliant
  - \*  $\text{\textcircled{C}}$  Important dimension
  - \* Waterproof rate: IP67, mated
  - \* Connector Housing: Thermoplastic, Black, RJ45 jack, shielded
  - \* Nut: Thermoplastic, Black
  - \* Gasket: Rubber, Gray
  - \* Use with waterproof cap or dust cap  
Panel thickness max: 2.4mm
  - \* Use without waterproof cap or dust cap  
Panel thickness max: 3.6mm
  - \* Gasket and nut are assembled on connectors
  - \* Wire: UL1015, 20AWG, Green

UNIT: mm			TITLE RJ, D PLASTIC, C5E SHLD FRONT FASTENED, F, PNL JACK S, SCREW
TOLERANCE .X ±0.25 .XX ±0.1 .XXX ±0.05 ANGLES ±1°	SCALE 1:1	SIZE A4	SHEET 1 OF 1
REV. G	WC-REV. A.6	$\text{\textcircled{C}}$ : Inspection item	

**Amphenol LTW**  
安費諾亮泰企業股份有限公司

ITEM NO RDP-5SPFFH-SCM7002	DRAWN BY Ruru	DATE 2019/03/18
DWG NO RDP-5SPFFH-SCM7002	CHECKED BY Rita	DATE 2019/03/18
CUSTOMER ALTW	APPROVED BY Max	DATE 2019/03/18

THIS DOCUMENT IS SUBJECT TO CHANGE WITHOUT NOTICE. IT IS CONFIDENTIAL AND A PROPERTY OF Amphenol LTW. DISCLOSURE TO THIRD PARTY HAS TO BE AUTHORIZED BY Amphenol LTW.