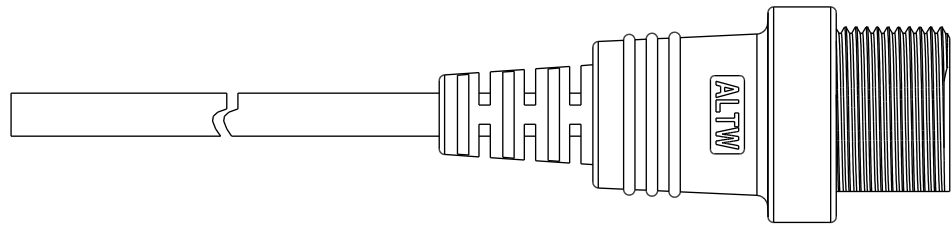


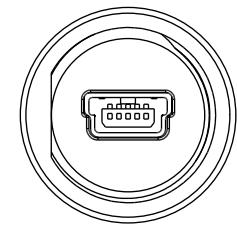
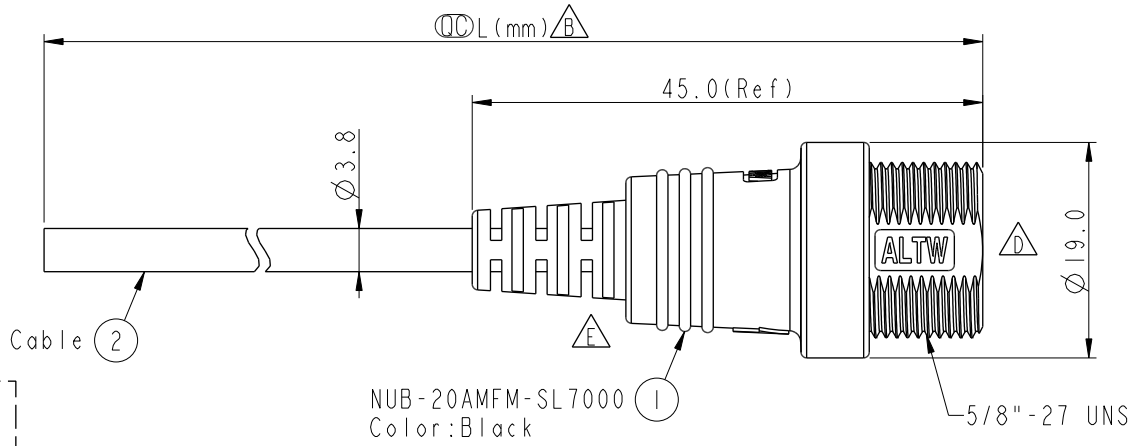
THIS DOCUMENT IS SUBJECT TO CHANGE WITHOUT NOTICE. IT IS CONFIDENTIAL AND A PROPERTY OF Amphenol LTW. DISCLOSURE TO THIRD PARTY HAS TO BE AUTHORIZED BY Amphenol LTW.

REV.	ECN NO.	DATE	SIGN	DESCRIPTION
C	LEN13A0071-073	2013/10/16	Rensong	Change the housing material
D	LEN1560352-354	2015/06/24	Jinhai	Change Logo
E	C230435	2023/03/29	Ruru	\triangle E X3

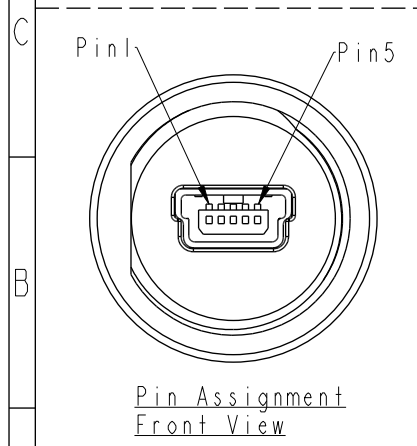


NUB-20AMFM-SL7AXX

XX:01~04Meters
 01:01Meter
 02:02Meters
 :
 04:04Meters
 Cable Length(L):01~04Meters



Conn.



Shield	Drain	地線
5	Black	黑
4	Yellow	黃
3	Green	綠
2	White	白
1	Red	紅
Conn.	Wire Color	

Twist 對線

Note:
 * \odot Imporyant Dimension
 * Waterproof Rate: IP67
 \triangle C* Housing: Nylon+GF, Black
 \triangle B* Jack: Mini USB 5PIN
 * Cable: UL2725 28AWG*1P+28AWG*3C+A+D+B, PVC Jacket, OD=3.8mm, Black
 \triangle B* Cable Length Tolerance: 01M \pm 40mm
 02M~04M \pm 60mm

UNIT:mm TOLERANCE $\pm 0.5mm$	TITLE USB, MINI B, 2.0, CABLE W/SR M, F, MOLDING, SCREW \triangle E		Amphenol LTW 安費諾亮泰企業股份有限公司		ITEM NO	DRAWN BY Jinhai	DATE 2015-06-24		
	SCALE 1:1	SIZE A4			SHEET 1	OF 1	DWG NO NUB-20AMFM-SL7AXX	CHECKED BY Tom	DATE 2015-06-24
	REV. E	WC-REV. A.2			\odot : Inspection item		CUSTOMER ALTW	APPROVED BY Jerry	DATE 2015-06-24