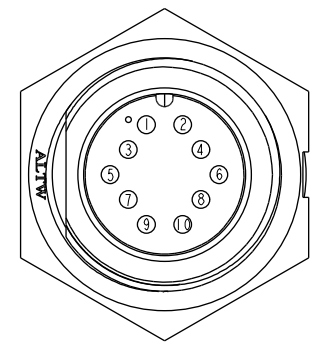
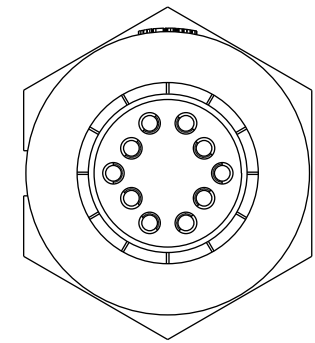
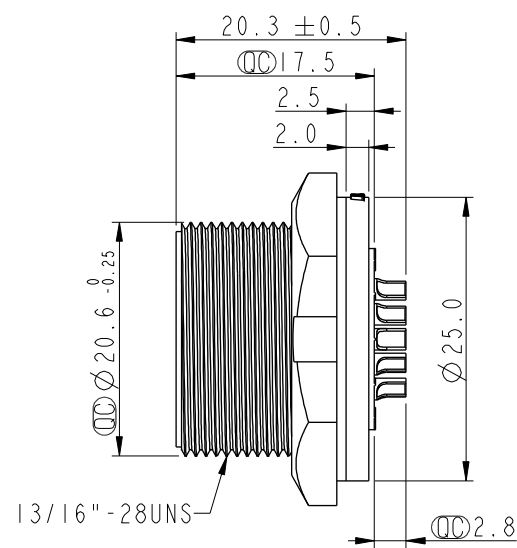
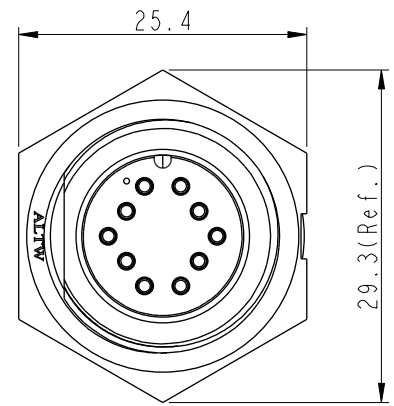


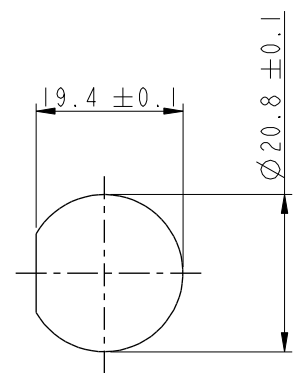
THIS DOCUMENT IS SUBJECT TO CHANGE WITHOUT NOTICE. IT IS CONFIDENTIAL AND A PROPERTY OF Amphenol LTW. DISCLOSURE TO THIRD PARTY HAS TO BE AUTHORIZED BY Amphenol LTW.

REV.	ECN NO.	DATE	SIGN	DESCRIPTION
A	Initial Release	2014-01-08	Jason.Yu	New Item
B	CI90308	2019/03/22	Ruru	Modify Note & Add QC Dimension

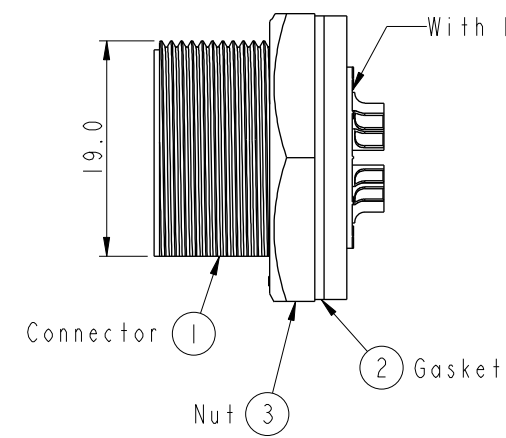
ALTW
 CONFIDENTIAL
 2019-03-22
 R&D DEPT.



Pin Assignments
Front View



Recommended Panel
Cut-Out



Note: $\triangle B$

- * CC Important Dimension
- * Waterproof Rate: IP67, Unmated
- * Housing: Thermoplastic, Black
- * Pin: Copper Alloy, Gold Plated
- * Nut: Thermoplastic, Black
- * Gasket: Rubber, Gray
- * Use with waterproof cap or dust cap
Maximum Panel Thickness: 2.5mm
- * Use without waterproof cap or dust cap
Maximum Panel Thickness: 3.5mm
- * Gasket and Nut are packed separately in PE bags

UNIT: mm		
TOLERANCE		
.X	±0.25	
.XX	±0.1	
.XXX	±0.05	
ANGLES	±1°	

TITLE MIDDLE CNC PIN PANEL SCREW 10PIN M CONN M PIN			
SCALE 3:2	SIZE A4	SHEET 1 OF 1	
REV. B	WC-REV. A.4	CC : Inspection item	

Amphenol LTW
 安費諾亮泰企業股份有限公司

ITEM NO. ICD-10PMMS-SC7001	DRAWN BY Ruru	DATE 2019-03-22
DWG NO. ICD-10PMMS-SC7001	CHECKED BY Rita	DATE 2019-03-22
CUSTOMER ALTW	APPROVED BY Max	DATE 2019-03-22