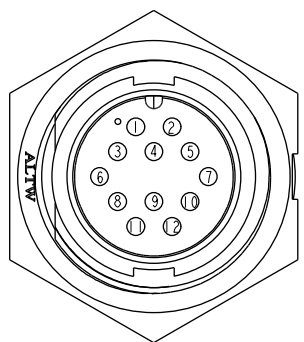
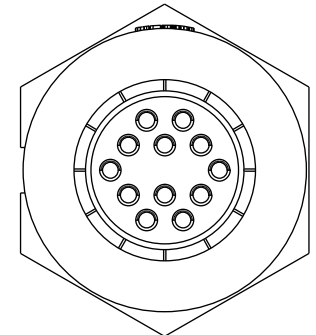
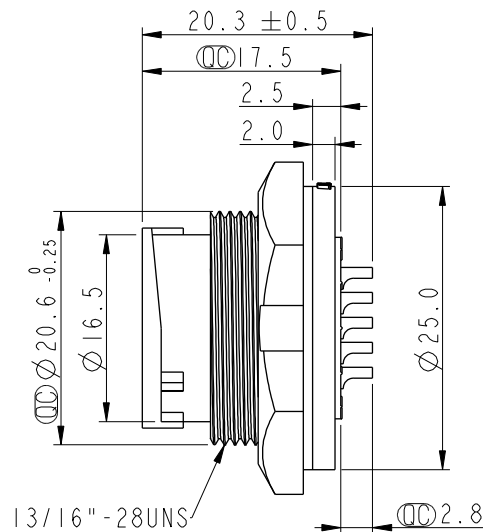
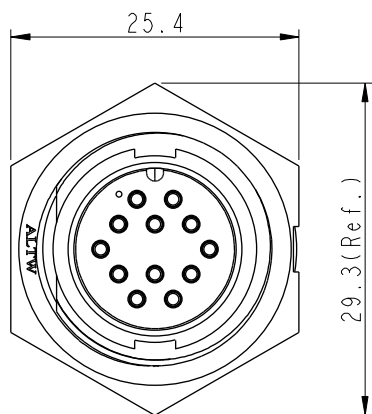


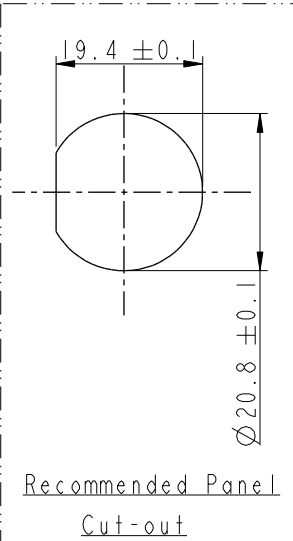
THIS DOCUMENT IS SUBJECT TO CHANGE WITHOUT NOTICE. IT IS CONFIDENTIAL AND A PROPERTY OF AMPHENOL LTW. DISCLOSURE TO THIRD PARTY HAS TO BE AUTHORIZED BY AMPHENOL LTW.

REV.	ECN NO.	DATE	SIGN	DESCRIPTION
A	Initial Release	2014-01-06	Jason.Yu	New Item
B	CI90308	2019/03/22	Ruru	Modify Note & Add QC Dimension

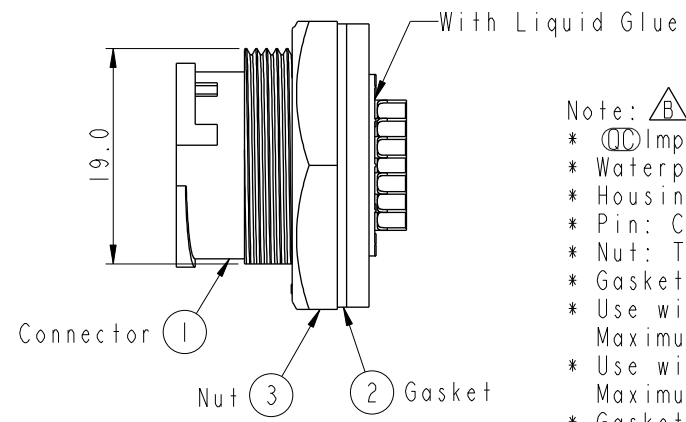
ALTW
 CONFIDENTIAL
 2019-03-22
 R&D DEPT.



Pin Assignments
Front View



Recommended Panel
Cut-out



Note: $\triangle B$

- * CC Important Dimension
- * Waterproof Rate: IP67, Unmated
- * Housing: Thermoplastic, Black
- * Pin: Copper Alloy, Gold Plated
- * Nut: Thermoplastic, Black
- * Gasket: Rubber, Gray
- * Use with waterproof cap or dust cap
Maximum Panel Thickness: 2.8mm
- * Use without waterproof cap or dust cap
Maximum Panel Thickness: 4.0mm
- * Gasket and Nut are packed separately in PE bags

UNIT: mm		
TOLERANCE	.X	±0.25
	.XX	±0.1
	.XXX	±0.05
	ANGLES	±1°

TITLE MIDDLE CNC PIN PANEL LOCK 12PIN M CONN M PIN			
SCALE	3:2	SIZE	A4
REV.	B	WC-REV.	A.4
		SHEET 1 OF 1	
QC: Inspection item			

Amphenol LTW
 安費諾亮泰企業股份有限公司

ITEM NO.	ICD-12PMMS-LC7001	DRAWN BY	Ruru	DATE	2019-03-22
DWG NO.	ICD-12PMMS-LC7001	CHECKED BY	Rita	DATE	2019-03-22
CUSTOMER	ALTW	APPROVED BY	Max	DATE	2019-03-22