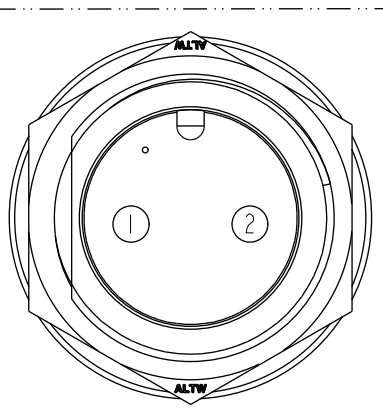
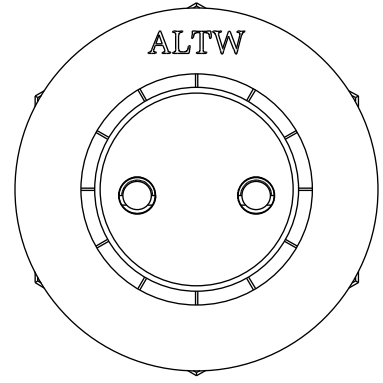
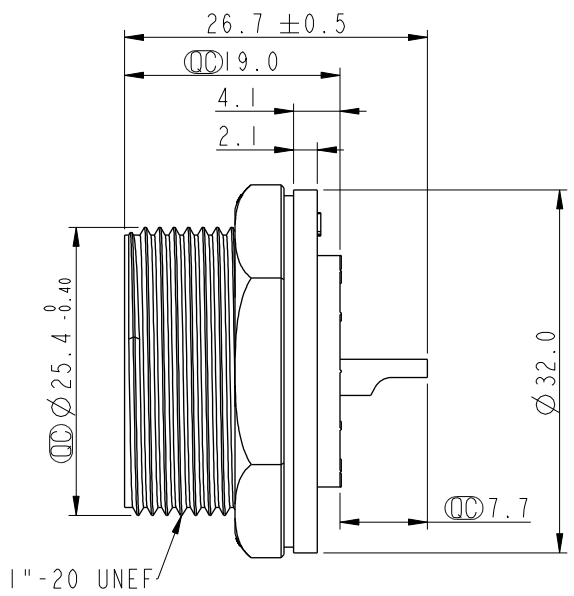
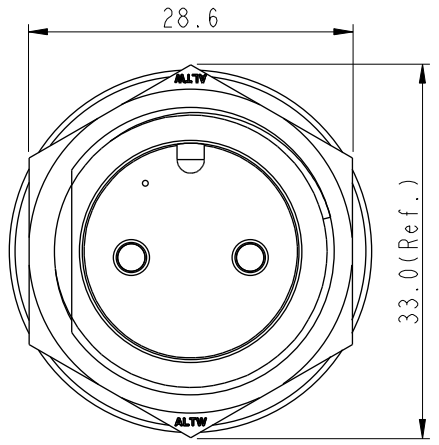


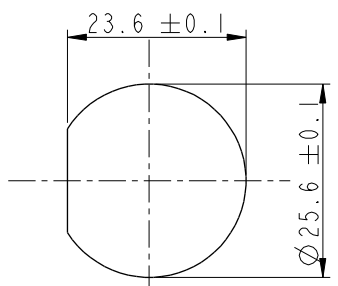
THIS DOCUMENT IS SUBJECT TO CHANGE WITHOUT NOTICE. IT IS CONFIDENTIAL AND A PROPERTY OF AMPHENOL LTW. DISCLOSURE TO THIRD PARTY HAS TO BE AUTHORIZED BY AMPHENOL LTW.

REV.	ECN NO.	DATE	SIGN	DESCRIPTION
A	Initial Release	2014-01-20	Jason.Yu	New Item
B	CI90342	2019/03/25	Ruru	Modify Note & Add QC Dimension

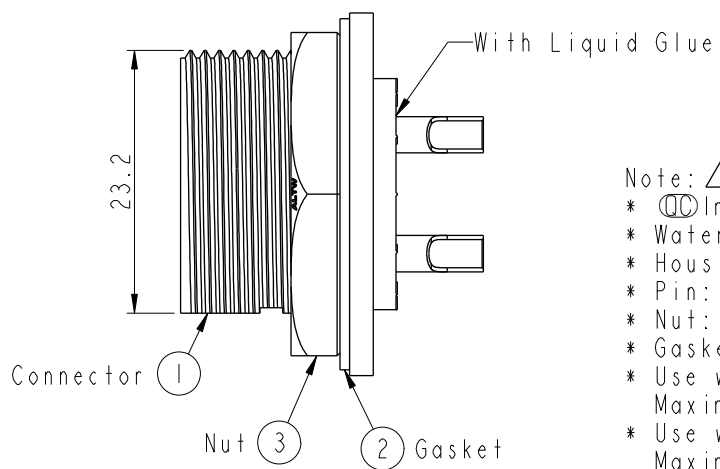
**ALTW**  
**CONFIDENTIAL**  
 2019-03-25  
 R&D DEPT.



Pin Assignments  
Front View



Recommended Panel  
Cut-Out



- Note:  $\triangle$
- \*  $\text{⌀}$  Important Dimension
  - \* Waterproof Rate: IP67, Unmated
  - \* Housing: Thermoplastic, Black
  - \* Pin: Copper Alloy, Gold Plated
  - \* Nut: Thermoplastic, Black
  - \* Gasket: Rubber, Gray
  - \* Use with waterproof cap or dust cap  
Maximum Panel Thickness: 1.5mm
  - \* Use without waterproof cap or dust cap  
Maximum Panel Thickness: 2.7mm
  - \* Gasket and Nut are packed separately  
in PE bags

UNIT: mm		
TOLERANCE		
.X	±0.25	
.XX	±0.1	
.XXX	±0.05	
ANGLES	±1°	

TITLE LARGE CNC PIN PANEL SCREW 2PIN M CONN M PIN			
SCALE 3:2	SIZE A4	SHEET 1 OF 1	
REV. B	WC-REV. A.3	$\text{⌀}$ : Inspection item	

**Amphenol LTW**  
 安費諾亮泰企業股份有限公司

ITEM NO. IDC-02PMMS-SC7001	DRAWN BY Ruru	DATE 2019-03-25
DWG NO. IDC-02PMMS-SC7001	CHECKED BY Rita	DATE 2019-03-25
CUSTOMER ALTW	APPROVED BY Max	DATE 2019-03-25