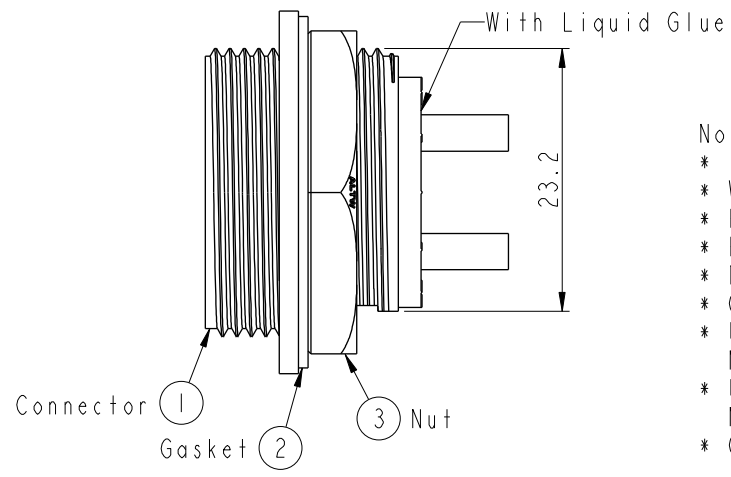
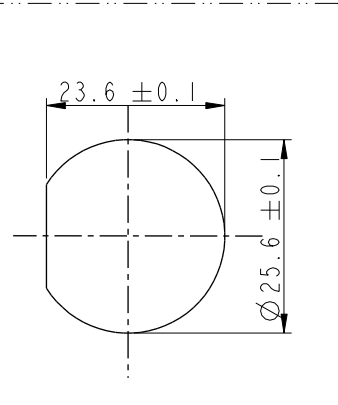
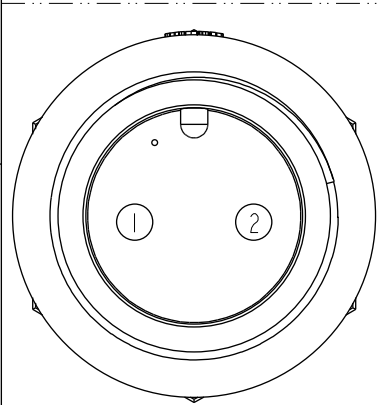
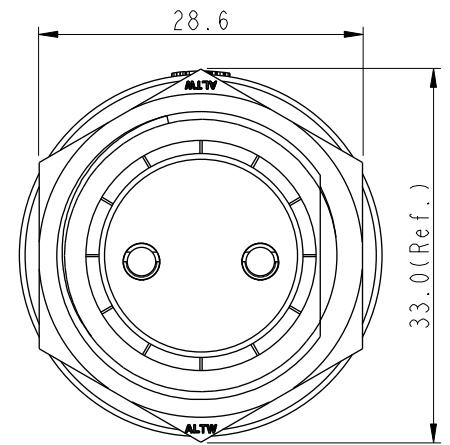
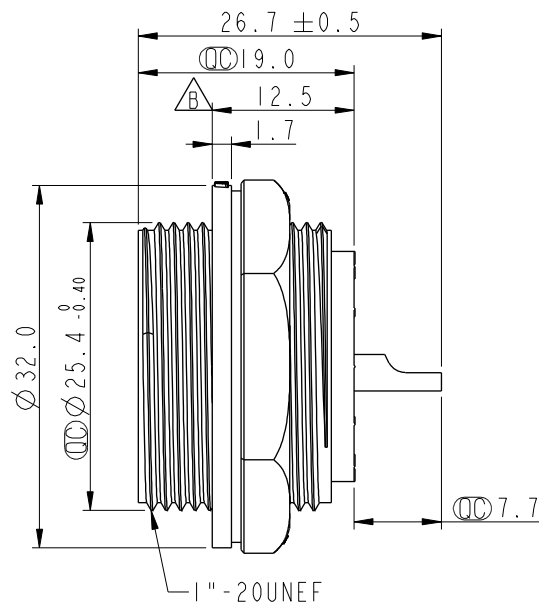
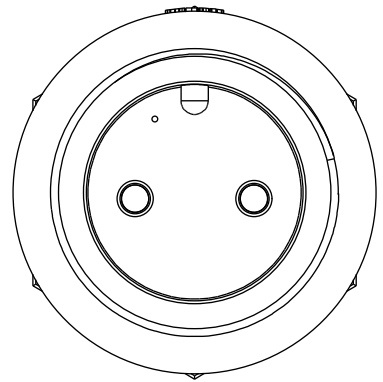


THIS DOCUMENT IS SUBJECT TO CHANGE WITHOUT NOTICE. IT IS CONFIDENTIAL AND A PROPERTY OF Amphenol LTW. DISCLOSURE TO THIRD PARTY HAS TO BE AUTHORIZED BY Amphenol LTW.

REV.	ECN NO.	DATE	SIGN	DESCRIPTION
A	Initial Release	2014-02-06	Jason.Yu	New Item
B	LEN1830049	2018-03-13	Lingpeng	Change The Design
C	CI90342	2019/03/26	Ruru	Modify Note & Add QC Dimension

**ALTW**  
**CONFIDENTIAL**  
 2019-03-26  
**R&D DEPT.**



- Note:  $\triangle$
- \*  $\text{⌀}$  Important Dimension
  - \* Waterproof Rate: IP67, Unmated
  - \* Housing: Thermoplastic, Black
  - \* Pin: Copper Alloy, Gold Plated
  - \* Nut: Thermoplastic, Black
  - \* Gasket: Rubber, Gray
  - \* Use with waterproof cap or dust cap  
Maximum Panel Thickness: 1.3mm
  - \* Use without waterproof cap or dust cap  
Maximum Panel Thickness: 2.5mm
  - \* Gasket and Nut are packed separately in PE bags

**UNIT:mm**  
 TOLERANCE  $\triangle$   $\pm 0.5$ mm

TITLE LARGE CNC PIN PANEL SCREW 2P M CONN M PIN			
SCALE 3:2	SIZE A4	SHEET 1 OF 1	
REV. C	WC-REV. A.3	$\text{⌀}$ : Inspection item	

**Amphenol LTW**  
 安費諾亮泰企業股份有限公司

ITEM NO IDC-02RMMS-SC7001	DRAWN BY Ruru	DATE 2019-03-26
DWG NO IDC-02RMMS-SC7001	CHECKED BY Rita	DATE 2019-03-26
CUSTOMER ALTW	APPROVED BY Max	DATE 2019-03-26